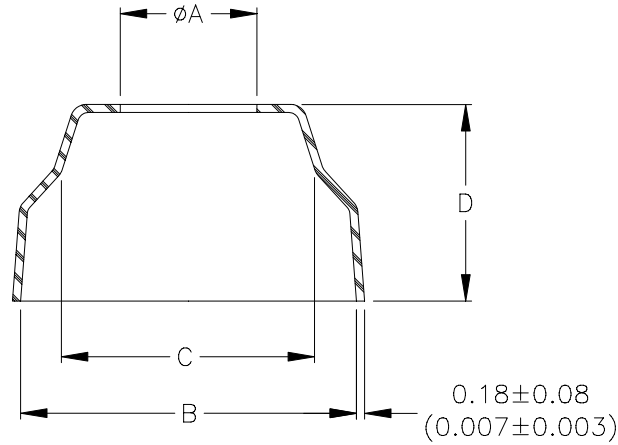


SPECIFICATION CONTROL DRAWING



Product Revision		Product Dimensions			
Product Name		A max	B±0.38 (B±0.015)	C±0.38 (C±0.015)	D±0.64 (D±0.025)
D-306-03	J	6.35 (0.250)	10.41 (0.410)	8.51 (0.335)	8.76 (0.345)
D-306-04	K	3.81 (0.150)	6.48 (0.255)	5.08 (0.200)	6.60 (0.260)

MATERIAL

- INSULATION SLEEVE: Semi-rigid, irradiated modified polyolefin in accordance with SAE-AMS-23053/6, Class 2. Color: natural.

tyco / Electronics / Raychem 307 Constitution Drive Menlo Park, CA 94025, USA		Wire and Harnessing Products		TITLE: (CRN) PREFORMED INSULATOR FOR TO-5/-18			
Unless otherwise specified dimensions are in millimeters. Inches dimensions are in between brackets.				DOCUMENT NO.: D-306-03/-04			
TOLERANCES: 0.00 N/A 0.0 N/A 0 N/A	ANGLES: N/A ROUGHNESS IN MICRON	Tyco Electronics reserves the right to amend this drawing at any time. Users should evaluate the suitability of the product for their application.		DCR NUMBER: D010119		REPLACES: N/A	
DRAWN BY: M. FORONDA	DATE: 11-Apr.-01	PROD. REV. SEE TABLE		DOC ISSUE: 1	SCALE: None	SIZE: A	SHEET: 1 of 1

If this document is printed it becomes uncontrolled. Check for the latest revision.