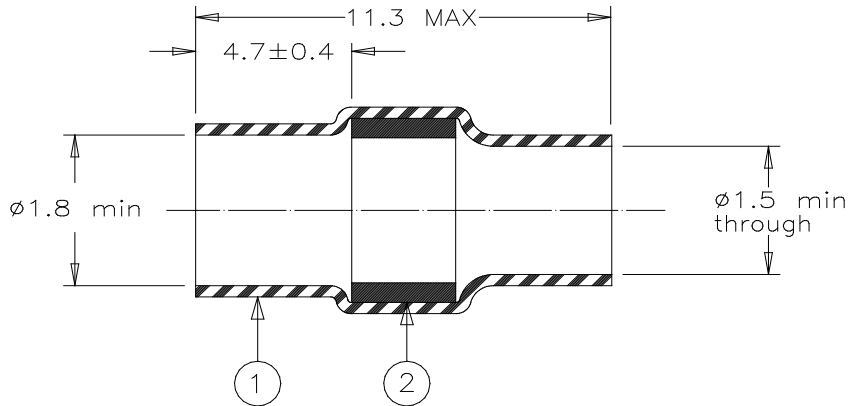


CUSTOMER DRAWING



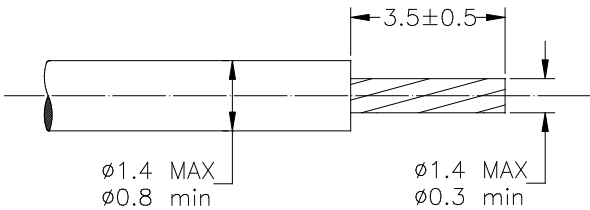
MATERIAL


1. INSULATION SLEEVE: Heat-shrinkable, radiation cross-linked modified polyvinylidene fluoride. Transparent blue.
2. SOLDER PREFORM WITH FLUX:
 - SOLDER: TYPE Sn62 Pb36 Ag2 per ANSI J-STD-006.
 - FLUX: TYPE ROL0 per ANSI J-STD-004.

APPLICATION

1. This controlled soldering device is designed for termination of a tin or silver plated copper stranded wire (AWG26 to AWG30) having an insulation rated for at least +125°C on to a pin (□ 0.5).
2. Temperature range: -55°C to +150°C.
3. For application tooling, consult your local TE Connectivity technical service.

For best results, prepare the cable as shown:



		Raychem THERMOFIT DEVICES		TITLE: SOLDERSLEEVE* DEVICE		
Unless otherwise specified dimensions are in millimeters.				DOCUMENT NO.: W-040-04		
TOLERANCES: 0.00 N/A 0.0 N/A 0 N/A	ANGLES: N/A ROUGHNESS IN MICRON	TE Connectivity reserves the right to amend this drawing at any time. Users should evaluate the suitability of the product for their application.		REV: 2	DATE: 09-Mar-2020	
DRAWN BY: R. MAPALO	DATE: 29-JUN-1998	ECO: ECO-20-003687	SCALE: NTS	SIZE: A	SHEET: 1 of 1	

© 09-Mar-2020 Tyco Electronics Corporation. All rights reserved.

If this document is printed it becomes uncontrolled. Check for the latest revision.

*TE Connectivity, TE connectivity (logo), Raychem, THERMOFIT, SolderSleeve are trademarks