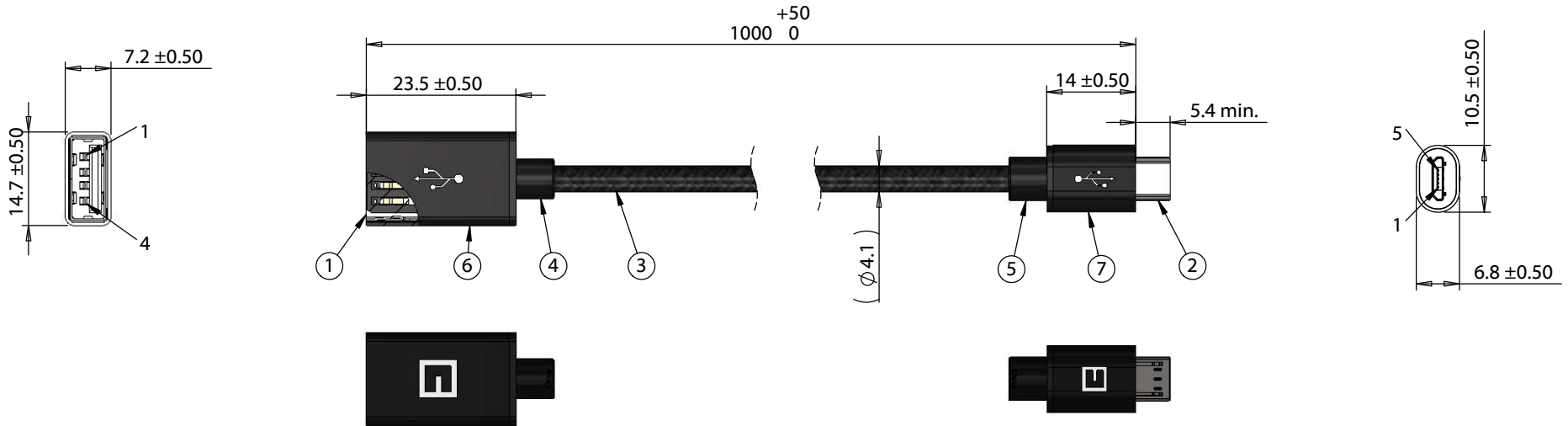


ITEM NO.	PART NUMBER	DESCRIPTION	QTY.	COMPONENT NOTES
1	50-00576	Connector, USB A 2.0 receptacle, molding style, 180°, nickel plated shell, black insulator	1	
2	50-00584	Connector, USB B micro plug, molding style, 180°, nickel plated shell, black insulator	1	
3	30-01272	Wire, 4C, 1PR + 2C, 28 AWG, UL2725, 30V, 80C, 4.1 mm, shielded, VW-1, PVC, 79A, USB 2.0, nylon braid	1	
4	24-00217	Overmold, jack, USB A, slim design for aluminum shell	1	PVC, black
5	24-00317	Overmold, plug, USB micro and mini, slim design for aluminum shell	1	PVC, black
6	55-00074	USB A jack aluminum shell, 14.7x7.2x22.5 mm	1	black
7	55-00117	USB mini & micro aluminum shell, 13x10.5x6.8 mm	1	black



Wiring diagram		
50-00576	Wire Color	50-00584
1	Red	1
2	White	2
3	Green	3
4	Black	5
Shell	Drain & Shield	Shell

Notes:
Functionally equivalent components may be substituted

Revision:	Date:	Description:	Prepared:	Notes: RoHS compliant Function test: no open, no short circuit, no intermittent	<h1>TENSILITY</h1> <p>tel 1.541.323.3228 800 877.670.7118 fax 1.541.323.4202 web tensility.com</p>
A	08/12/2019	Initial Release	Verified:		
			Dimensions are in millimeters. Tolerances: X: ± 0.5 mm X.X: ± 0.3 mm X.XX: ± 0.05 mm	Description: Cable, 1000 mm, 50-00576 USB A receptacle to 50-00584 USB B micro plug, 28 AWG, nylon braided	Size: A Part number: 10-03395
					Scale: 1:1
					Sheet 1 of 1

5

4

3

2

1