

**Ratings**

Voltage: 300 V  
 Temperature: -40 ~ 80 °C  
 Flammability: FT2

**Conductor**

Conductor count: 5  
 Gauge: 18 AWG 0.82 mm<sup>2</sup>  
 Material: bare copper strands  
 Strand size:  $\phi 0.127 \times 65$   
 Max resistance at 20 °C: 23.2  $\Omega$  /km

**Insulator**

Material: TPE 85A  
 Color: white, black, red, yellow, blue  
 Diameter:  $\phi 1.8 \pm 0.10$  mm  
 Nominal thickness: 0.21 mm  
 Minimum resistance @ 20 °C: 100 M $\Omega$  /km

**Filler**

Material: cotton rope

**Shield**

Type: braided  
 Material: bare copper strands  
 Stranding:  $\phi 0.10$  mm, 65% minimum coverage

**Drain**

Material: bare copper strands  
 Stranding:  $\phi 0.127 \times 65$

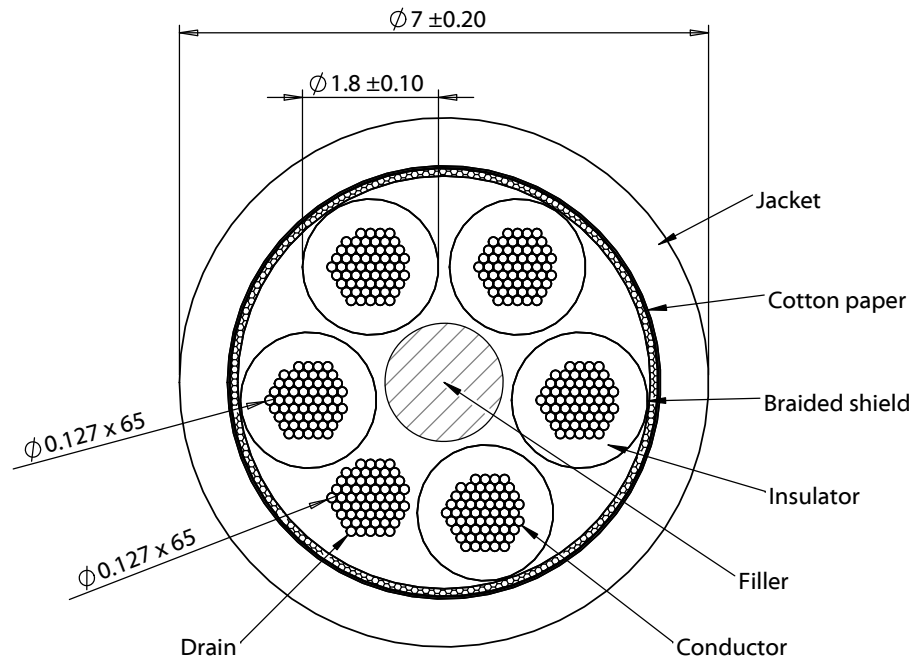
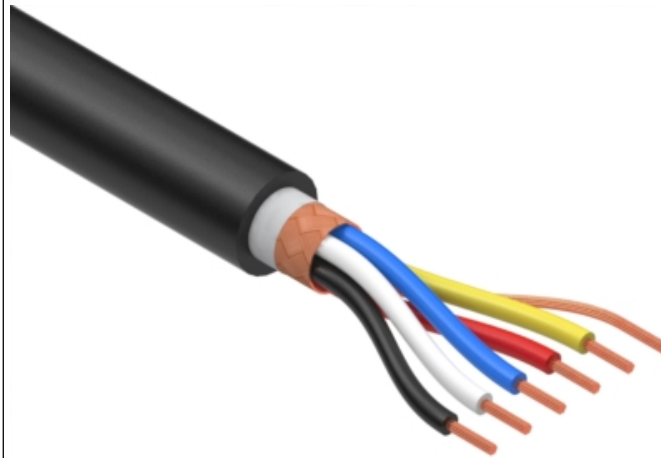
**Outer jacket**

Material: TPU (Polyether Polyurethane) 80A  
 Color: black  
 Diameter:  $\phi 7 \pm 0.20$  mm  
 Nominal thickness: 0.85 mm

**Wire marking:** E339579 UL AWM STYLE 20280 18 AWG 80°C  
 300V --- cUL AWM I/II A 80°C 300V FT2 TENSILITY

**Tests**

Spark test: 3.0 kV  
 Insulation tensile strength: 0.562 kgf/mm<sup>2</sup>  
 Jacket tensile strength: 1.05 kgf/mm<sup>2</sup>  
 After aging at 113  $\pm 2$  °C for 7 days:  
 Minimum jacket tensile strength 70 % original  
 Minimum insulation tensile strength 75 % original  
 Minimum jacket elongation 65 % original  
 Minimum insulation elongation 75 % original  
 Heat shock: 121  $\pm 1$  °C /1 hour, no observed degradation  
 Deformation: 121  $\pm 1$  °C /1 hour,  $\leq 50$  %  
 Cold bend: -10  $\pm 2$  °C /1 hour, no observed cracking  
 Dielectric test: 2000 Vac for 1 minute without breakdown



Revision:	Date:	Description:	Prepared:	Notes:	<b>TENSILITY</b> tel 1.541.323.3228 800 877.670.7118 fax 1.541.323.4202 web tensility.com
A	6/12/2019	Initial release	Verified:	RoHS and REACH compliant Phthalate and halogen free	
			Dimensions are in millimeters. Tolerances: X: $\pm 0.5$ mm X.X: $\pm 0.3$ mm X.XX: $\pm 0.05$ mm	Function: no open, no short circuit, no intermittent	Size: Part number: A 30-00920
				Description: Wire, 5C BC, 18 AWG, UL20280, 300V, 80C, 7.0 mm, braided shield, FT2, TPU	Scale: 10:1  Sheet 1 of 1

5

4

3

2

1