

**Operating Temperature Range**

-25° to 70° C, relative humidity of 85% or less

**Materials**

1. Shell, C3604 brass, 2 µm nickel plated
2. Spring contact: C5191 phosphor bronze, 2 µm nickel plated
3. Solder tab: C2680 brass, 2 µm nickel plated
4. Insulator: PBT + 15% GF, black
5. Spring fork: brass, C5191 phosphor bronze, 2 µm nickel plated
6. Spring fork: C5191 phosphor bronze, 1 µ" gold plated

**Electrical Requirements**

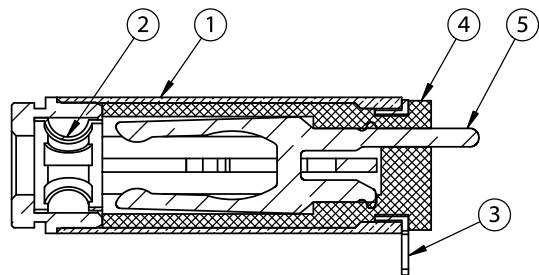
Dielectric strength: 1 min @ 500 Vac  
 Insulation resistance: 100 MΩ @ 500 Vdc  
 Contact resistance: 50 mΩ or less

**Mechanical Requirements**

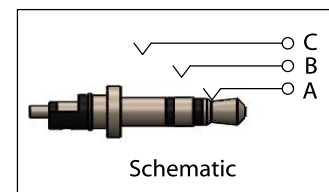
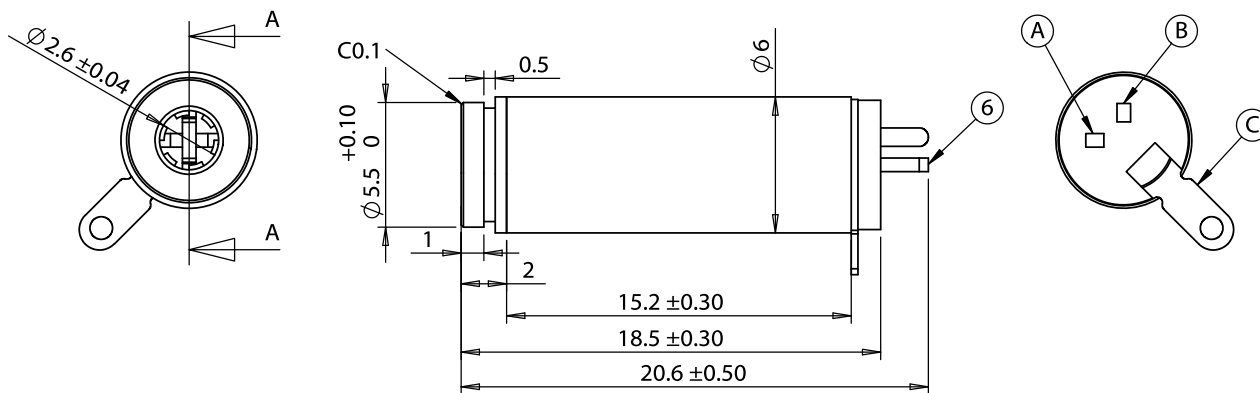
Insertion force: 0.4-4 kgf  
 Withdrawal force: 0.4-4 kgf  
 Life cycle: 5000 mating cycles while maintaining 0.3 kgf min. insertion force, 0.3 kgf min. withdrawal force and less than 100 mΩ contact resistance.

**Environmental Requirements**

Heat test: 70 °C, relative humidity 70-85% for 96 hours without deformation  
 Humidity test: 40 °C, relative humidity 90-100% for 96 hours without deformation  
 Salt spray test: 35±2 °C, relative humidity 90-95%, 5% NaCl mist for 24 hrs. Wash parts after test. Maintain mechanical requirements and a contact resistance of less than 80 mΩ.



SECTION A-A  
SCALE 3 : 1



Revision:	Date:	Description:	Prepared: GL 2016.09.30 15:39:03 -07'00'	Notes:	<h1>TENSILITY</h1> <p>tel 1.541.323.3228 800 877.670.7118                  fax 1.541.323.4202 web tensility.com</p>
A	9/4/2009	Initial release	Verified: AG 2016.09.30 16:35:23 -07'00'	RoHS compliant	
A1	5/21/2012	Updated materials	Dimensions are in millimeters.	Function test: no open, no short circuit, no intermittent	
			Tolerances: X: ± 0.5 mm X.X: ± 0.3 mm X.XX: ± 0.05 mm	Description: Connector, stereo jack, 2.5xL20.6 mm, brass, nickel plated, molding style	
				Size: A	Part number: 50-00035
				Scale: 5:1	Sheet 1 of 1