

Operating Temperature Range

-25° to 70° C , relative humidity of 85% or less

Materials

1. Tip contact: C5191 phosphor bronze, 2 µm nickel plated
2. Ring contact: C5191 phosphor bronze, 2 µm nickel plated
3. Ring contact: C5191 phosphor bronze, 1 µ" gold plated
4. Sleeve contact: C5191 phosphor bronze, 2 µm nickel plated
5. Shell: C2700 brass, 2 µm nickel plated
6. Top head: C3604 brass, 2 µm nickel plated
7. Insulator: POM, black

Electrical Requirements

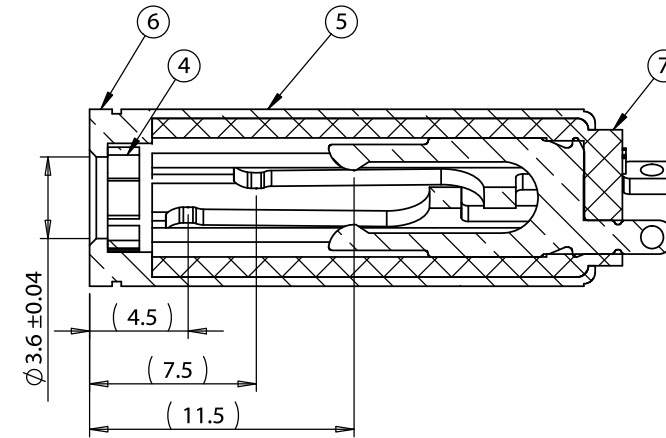
Dielectric strength: 1 min @ 500 Vac
 Insulation resistance: 100 MΩ @ 500 Vdc
 Contact resistance: 50 mΩ or less

Mechanical Requirements

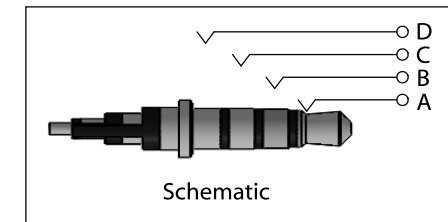
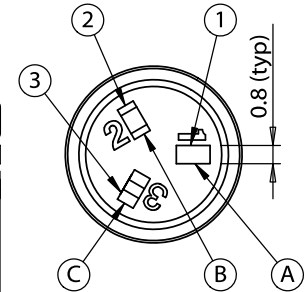
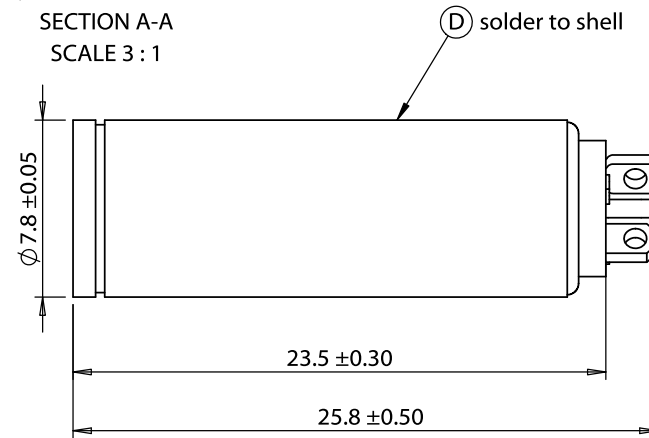
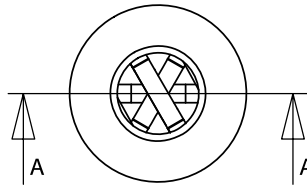
Insertion force: 0.4-4 kgf
 Withdrawal force: 0.4-4 kgf
 Life cycle: 5000 mating cycles while maintaining 0.3 kgf min. insertion force, 0.3 kgf min. withdrawal force and less than 60 mΩ contact resistance.

Environmental Requirements

Heat test: 70 °C, relative humidity 70-85% for 96 hours without deformation
 Humidity test: 40 °C, relative humidity 90-100% for 96 hours without deformation
 Salt spray test: 35±2 °C, relative humidity 90-95%, 5% NaCl mist for 24 hrs. Wash parts after test. Maintain mechanical requirements and a contact resistance of less than 100 mΩ.



SECTION A-A
SCALE 3 : 1



Revision:	Date:	Description:
A	9/4/2009	Initial release
A1	5/7/2012	Updated drawing
A2	3/1/2013	Corrected description

Prepared:
GL
2016.08.15 15:40:27 -07'00'

Verified:
PS
Digitally signed by PS
Date: 2016.08.15 17:00:37
-07'00'

Dimensions are in millimeters.
 Tolerances:
 X: ± 0.5 mm
 X.X: ± 0.3 mm
 X.XX: ± 0.05 mm

Notes:
RoHS compliant

Function test: no open, no short circuit, no intermittent

Description:
Connector, 4C audio jack, 3.5x7.8xL25.8 mm, brass, nickel plated, molding style

TENSILITY

tel 1.541.323.3228 800 877.670.7118
 fax 1.541.323.4202 web tensility.com

Size: Part number:
 A 50-00041

Scale: 5:1 Sheet 1 of 1