

RockStar® Housings IP65 / NEMA Type 4X

Plastic housing

Size 1

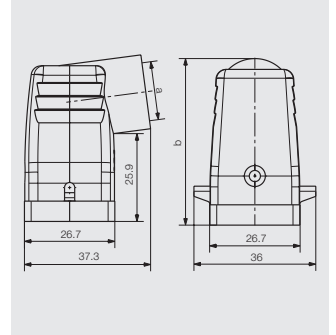
Hood



Hood, Cable Entry sideways



a	Version	Cover	b (mm)	Designation	Order No.
M20	with thread		49,2	HDC 07A TWLU 1M20G	1788510000
PG 11	with thread		49,2	HDC 07A TWLU 1PG11G	1652400000

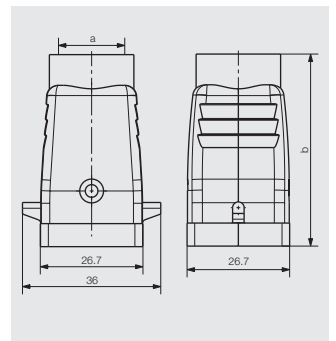


D

Hood, Cable Entry at top



a	Version	Cover	b (mm)	Designation	Order No.
M20	with thread		50	HDC 07A TOLU 1M20G	1788520000
PG 11	with thread		50	HDC 07A TOLU 1PG11G	1652380000



Plastic housing

Size 1

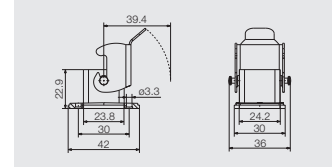


Base

Bulkhead housing



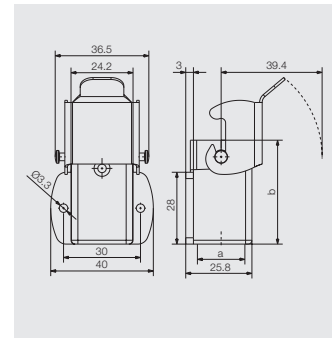
Version	Cover	b (mm)	Designation	Order No.
	without cover	23	HDC 07A ALU	1652410000
	angled	without cover 26.7	HDC 07A AWLU	1652420000



Base housing



a	Version	Cover	b (mm)	Designation	Order No.
M20	with thread	without cover	41.5	HDC 07A SLU 1M20G	1788530000
PG 11	with sleeve	without cover	41.5	HDC 07A SLU 1PG11S	1652440000

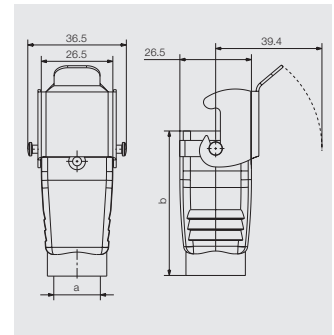


D

Coupling hood



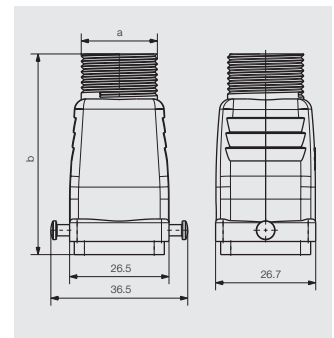
a	Version	Cover	b (mm)	Designation	Order No.
M20	with thread		53.5	HDC 07A KOLU 1M20G	1788540000
PG 11	with thread		53.5	HDC 07A KOLU 1PG11G	1652460000



Screw mounting housing



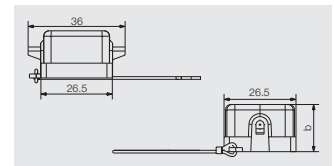
a	Version	Cover	b (mm)	Designation	Order No.
PG 13.5	with thread		54	HDC 07A ELU 1PG13S	1900990000



Cover



Version	Designation	Order No.
for female insert	HDC 07A DMDL 2BO	1665770000
for male insert	HDC 07A DODL 2BO	1665760000



RockStar® Housings IP65 / NEMA Type 4X

Metal housing

Size 1

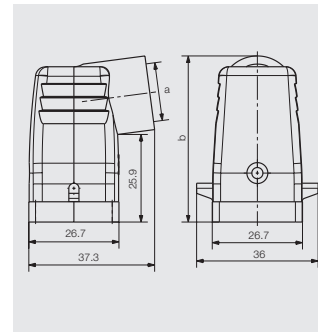
Hood



Hood, Cable Entry sideways



a	Version	Cover	b (mm)	Designation	Order No.
M20	with thread		49,2	HDC 04A TWLU 1M20G	1788810000
PG 11	with thread		49,2	HDC 04A TWLU 1PG11G	1652480000
PG 11	with thread		49,2	HDC 04A TWLU 1PG11S EXI	1900310000

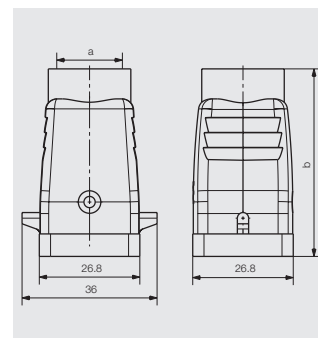


D

Hood, Cable Entry at top



a	Version	Cover	b (mm)	Designation	Order No.
M20	with thread		50	HDC 04A TOLU 1M20G	1788820000
PG 11	with thread		50	HDC 04A TOLU 1PG11G	1652470000
PG 11	with thread		50	HDC 04A TOLU 1PG11S EXI	1900280000



Metal housing

Size 1

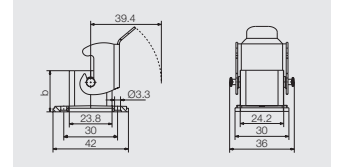
Base



Bulkhead housing



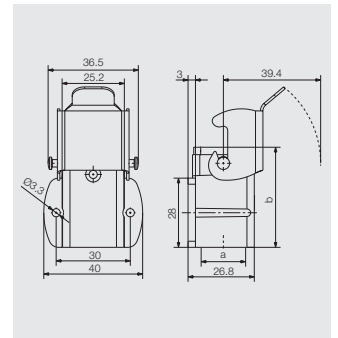
Version	Cover	b (mm)	Designation	Order No.
	without cover	23	HDC 04A ALU	1497600000
	without cover	26.7	HDC 04A AWLU	1899870000
	without cover	26.7	HDC 04A AWLU EXI	1899890000



Base housing



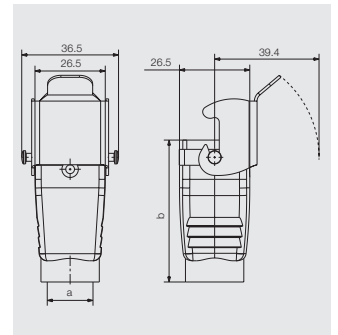
a	Version	Cover	b (mm)	Designation	Order No.
M20	with thread	without cover	41.5	HDC 04A SLU 1M20G	1788830000
PG 11	with thread	without cover	41.5	HDC 04A SLU 1PG11G	1652490000
PG 11	with thread	without cover	41.5	HDC 04A SLU 1PG11G EXI	1899800000



Coupling hood



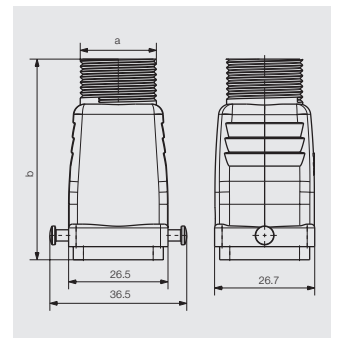
a	Version	Cover	b (mm)	Designation	Order No.
M20	with thread		53.5	HDC 04A KOLU 1M20G	1788840000
PG 11	with thread		53.5	HDC 04A KOLU 1PG11G	1652500000
PG 11	with thread		53.5	HDC 04A KLU 1PG11S EXI	1899920000



Screw mounting housing



a	Version	Cover	b (mm)	Designation	Order No.
M20	with thread		54	HDC 04A ELU 1M20G	1900320000
PG 13.5	with thread		54	HDC 04A ELU 1PG13S	1900330000
PG 13.5	with thread		54	HDC 04A ELU 1PG13S EXI	1900350000



Cover



Version	Designation	Order No.
for female insert	HDC 04A DMDL 2BO	1665750000
for male insert	HDC 04A DODL 2BO	1665740000

