

Power Distribution Blocks

WPDB 70

WPDB 70/35

WPDB 185

WPDB 185/35

WPDB 300

NEW



Weidmüller Power Distribution Blocks are not your typical distribution blocks: they are clearly designed with the future in mind. By using the best materials and the best technology, Weidmüller provides the safest and most innovative connections available in a wide area of industrial applications.

These DIN Rail mountable blocks distribute mains born power sources (50 to 1000 VAC, 75 to 1000 VDC), utilize large wire sizes, and of course, maintain finger-safe connections. In addition, these distribution blocks allow for multi-pole assembly, easily accommodating single, two- and three-phase grouping in a compact footprint.

You can minimize installation costs by combining power connections to the control cabinet through a single bus module instead of bulky and non-finger-safe traditional blocks.

Now you manage multiple load connections and a wide range of wire sizes. Combining application flexibility, economical installed cost, and safety features, the Weidmüller Power Distribution Blocks deliver power and performance—without compromising safety requirements.

Weidmüller Power Distribution Blocks are ideal for industrial applications, including:

- Machinery
- Material Handling
- Building/Installation
- Power Conditioning

United States

W Interconnections, Inc.
821 Southlake Blvd.
Richmond, Virginia 23236
Telephone: (800) 849-9343
Facsimile: (804) 379-2593
Email: info@weidmuller.com
Website: www.weidmuller.com

Canada

W Interconnections Canada, Inc.
10 Spy Court
Markham, Ontario L3R 5H6
Telephone: (800) 268-4080
Facsimile: (905) 475-2798
Email: info1@weidmuller.ca
Website: www.weidmuller.ca

Mexico

W Interconnections, S.A. de C.V.
Ave. Ingenieros Civiles 204-B
Conjunto Industrial Chachapa
Chachapa Amozoc, Puebla
72990, Mexico
Telephone: 01 222 2866246/47/48
Facsimile: 01 222 2866242

Weidmüller 

Power Distribution Blocks

WPDB 70 1-1 WPDB 70 1-1 AL



Type	Part No.
WPDB 70 1-1	1879470000
WPDB 70 1-1 AL	1879460000

Technical Data	
Housing material	PA 66/6
Flammability class	UL 94 V0
Conductor	WPDB 70 1-1: Copper (75°C Cu wire only) WPDB 70 1-1 AL: Aluminum (90°C Cu/Al wire)
Contact material	WPDB 70 1-1: Copper WPDB 70 1-1 AL: Aluminum
Contact plating	Zinc

Current Rating	
UL/CSA*	175 A at 600 V
VDE	175 A at 600 V

Line	
Wire gauge, kcmil/AWG	2/0...#14
Wire gauge, mm ²	70...2.5
Number of poles	1

Load	
Wire gauge, kcmil/AWG	2/0...#14
Wire gauge, mm ²	70...2.5
Number of poles	1

Operating Specifications	
Maximum temperature	100°C
Operating range	-10°C...+60°C
Storage temperature	-25°C...+60°C

Accessories	
SK WSD-S (1.5-10 mm 9 piece set, Allen head screwdrivers)	9008850000
SST WPDB (Accessory pin for fixing multi-pole block assemblies)	1879490000
WEW 35/3 (Pair of end brackets)	1879390000
VK WPDB 1 (Cap for spare 2/0 line connections)	1879370000
VK WPDB 2 (Cap for spare 350 kcmil line connections)	1879380000

Marking Tags	
KSW Strips, blank**	1629970000

*Based on NEC table 310-16 for 75°C copper wire
**Pre-printed strips standard with product. Custom strips also available.

WPDB 70/35 1-4 WPDB 70/35 1-4 AL



Type	Part No.
WPDB 70/35 1-4	1879360000
WPDB 70/35 1-4 AL	1879480000

Technical Data	
Housing material	PA 66/6
Flammability class	UL 94 V0
Conductor	WPDB 70/35 1-4: Copper (75°C Cu wire only) WPDB 70/35 1-4 AL: Aluminum (90°C Cu/Al wire)
Contact material	WPDB 70/35 1-4: Copper WPDB 70/35 1-4 AL: Aluminum
Contact plating	Zinc

Current Rating	
UL/CSA*	175 A at 600 V
VDE	175 A at 600 V

Line	
Wire gauge, kcmil/AWG	2/0...#14
Wire gauge, mm ²	70...2.5
Number of poles	1

Load	
Wire gauge, kcmil/AWG	#2...#14
Wire gauge, mm ²	35...2.5
Number of poles	4

Operating Specifications	
Maximum temperature	100°C
Operating range	-10°C...+60°C
Storage temperature	-25°C...+60°C

Accessories	
SK WSD-S (1.5-10 mm 9 piece set, Allen head screwdrivers)	9008850000
SST WPDB (Accessory pin for fixing multi-pole block assemblies)	1879490000
WEW 35/3 (Pair of end brackets)	1879390000
VK WPDB 1 (Cap for spare 2/0 line connections)	1879370000
VK WPDB 2 (Cap for spare 350 kcmil line connections)	1879380000

Marking Tags	
KSW Strips, blank**	1629970000

*Based on NEC table 310-16 for 75°C copper wire
**Pre-printed strips standard with product. Custom strips also available.

WPDB 185 1-1 WPDB 185 1-1 AL



Type	Part No.
WPDB 185 1-1	1879410000
WPDB 185 1-1 AL	1879400000

Technical Data	
Housing material	PA 66/6
Flammability class	UL 94 V0
Conductor	WPDB 185 1-1: Copper (75°C Cu wire only) WPDB 185 1-1 AL: Aluminum (90°C Cu/Al wire)
Contact material	WPDB 185 1-1: Copper WPDB 185 1-1 AL: Aluminum
Contact plating	Zinc

Current Rating	
UL/CSA*	335 A at 600 V
VDE	335 A at 600 V

Line	
Wire gauge, kcmil/AWG	400...#6
Wire gauge, mm ²	185...16
Number of poles	1

Load	
Wire gauge, kcmil/AWG	400...#6
Wire gauge, mm ²	185...16
Number of poles	1

Operating Specifications	
Maximum temperature	100°C
Operating range	-10°C...+60°C
Storage temperature	-25°C...+60°C

Accessories	
SK WSD-S (1.5-10 mm 9 piece set, Allen head screwdrivers)	9008850000
SST WPDB (Accessory pin for fixing multi-pole block assemblies)	1879490000
WEW 35/3 (Pair of end brackets)	1879390000
VK WPDB 1 (Cap for spare 2/0 line connections)	1879370000
VK WPDB 2 (Cap for spare 350 kcmil line connections)	1879380000

Marking Tags	
KSW Strips, blank**	1629970000

*Based on NEC table 310-16 for 75°C copper wire
**Pre-printed strips standard with product. Custom strips also available.

Power Distribution Blocks

WPDB 185/35 1-8 WPDB 185/35 1-8 AL



Type	Part No.
WPDB 185/35 1-8	1879430000
WPDB 185/35 1-8 AL	1879420000

Technical Data	
Housing material	PA 66/6
Flammability class	UL 94 V0
Conductor	WPDB 185/35 1-8: Copper (75°C Cu wire only) WPDB 185/35 1-8 AL: Aluminum (90°C Cu/Al wire)
Contact material	WPDB 185/35 1-8: Copper WPDB 185/35 1-8 AL: Aluminum
Contact plating	Zinc

Current Rating	
UL/CSA*	310 A at 600 V
VDE	310 A at 600 V

Line	
Wire gauge, kcmil/AWG	350...#6 / 2/0...#14
Wire gauge, mm ²	185...16 / 70...2.5
Number of poles	1

Load	
Wire gauge, kcmil/AWG	#2...#14
Wire gauge, mm ²	35...2.5
Number of poles	8

Operating Specifications	
Maximum temperature	100°C
Operating range	-10°C...+60°C
Storage temperature	-25°C...+60°C

Accessories	
SK WSD-S (1.5-10 mm 9 piece set, Allen head screwdrivers)	9008850000
SST WPDB (Accessory pin for fixing multi-pole block assemblies)	1879490000
WEW 35/3 (Pair of end brackets)	1879390000
VK WPDB 1 (Cap for spare 2/0 line connections)	1879370000
VK WPDB 2 (Cap for spare 350 kcmil line connections)	1879380000

Marking Tags	
KSW Strips, blank**	1629970000

*Based on NEC table 310-16 for 75°C copper wire
 **Pre-printed strips standard with product. Custom strips also available.

WPDB 300 2-2 WPDB 300 2-2 AL



Type	Part No.
WPDB 300 2-2	1879450000
WPDB 300 2-2 AL	1879440000

Technical Data	
Housing material	PA 66/6
Flammability class	UL 94 V0
Conductor	WPDB 300 2-2: Copper (75°C Cu wire only) WPDB 300 2-2 AL: Aluminum (90°C Cu/Al wire)
Contact material	WPDB 300 2-2: Copper WPDB 300 2-2 AL: Aluminum
Contact plating	Zinc

Current Rating	
UL/CSA*	840 A at 600 V
VDE	840 A at 600 V

Line	
Wire gauge, kcmil/AWG	600...#4
Wire gauge, mm ²	300...25
Number of poles	2

Load	
Wire gauge, kcmil/AWG	600...#4
Wire gauge, mm ²	300...25
Number of poles	2

Operating Specifications	
Maximum temperature	100°C
Operating range	-10°C...+60°C
Storage temperature	-25°C...+60°C

Accessories	
SK WSD-S (1.5-10 mm 9 piece set, Allen head screwdrivers)	9008850000
SST WPDB (Accessory pin for fixing multi-pole block assemblies)	1879490000
WEW 35/3 (Pair of end brackets)	1879390000
VK WPDB 2 (Cap for spare 350 kcmil line connections)	1879380000
VK WPDB 3 (Cap for spare 600 kcmil line connections)	1880060000

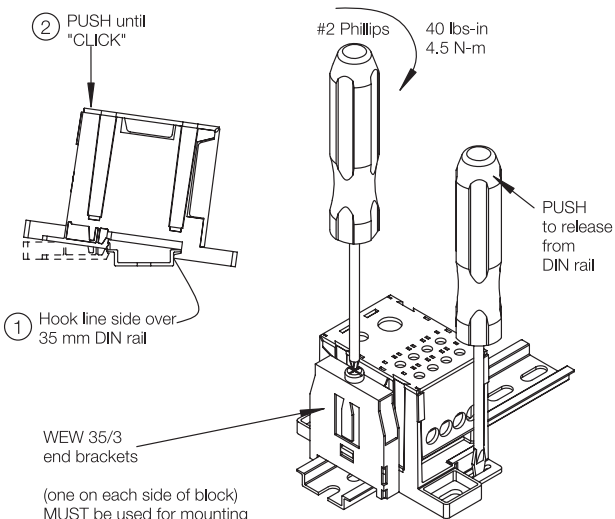
Marking Tags	
KSW Strips, blank**	1629970000

*Based on NEC table 310-16 for 75°C copper wire
 **Pre-printed strips standard with product. Custom strips also available.

Power Distribution Blocks

Mounting Instructions

DIN Rail Mounting

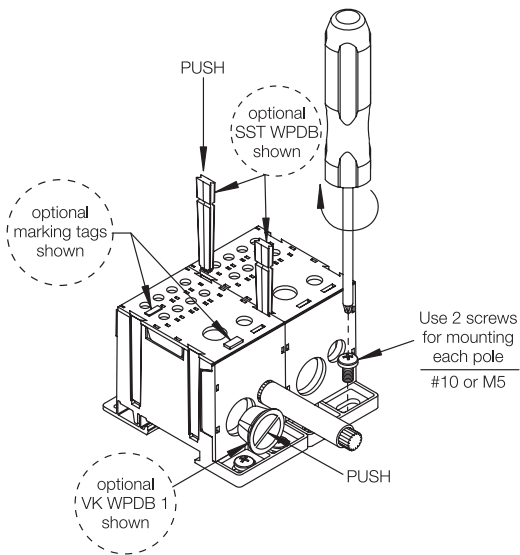


WEW 35/3 end brackets

(one on each side of block) MUST be used for mounting single pole WPDBs to prevent damage to the block while tightening terminals.

WEW 35/3 end brackets recommended for all WPDB on DIN rails

Panel Mounting



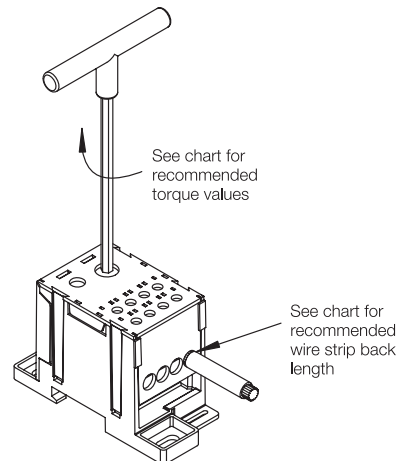
Tightening Torque Table

With recommended strip back lengths to maintain IP20 rating

Part No.	Product Description	Wire Hole Range	Wire Strip Back Length	Hex Driver Size	Wire Size*	Torque**		
1879460000 1879470000	WPDB 70 1-1 AL WPDB 70 1-1	2/0...#14 (70...2.5 mm ²)	0.75 in (19.1 mm)	5 mm	2/0...#1 (70...50 mm)	100 lbs-in (11.4 N-m)		
					#2...#6 (35...16 mm)	80 lbs-in (9 N-m)		
					#8...#14 (10...2.5 mm)	35 lbs-in (3.9 N-m)		
1879480000 1879360000	WPDB 70/35 1-4 AL WPDB 70/35 1-4	2/0...#14 (70...2.5 mm ²)	1 in (25.4 mm)	5 mm	2/0...#1 (70...50 mm)	100 lbs-in (11.4 N-m)		
					#2...#6 (35...16 mm)	80 lbs-in (9 N-m)		
					#8...#14 (10...2.5 mm)	35 lbs-in (3.9 N-m)		
				#2...#14 (35...2.5 mm ²)	0.625 in (15.9 mm)	4 mm	#2...#6 (35...16 mm)	80 lbs-in (9 N-m)
							#8...#14 (10...2.5 mm)	35 lbs-in (3.9 N-m)
1879420000 1879430000	WPDB 185/35 1-8 AL WPDB 185/35 1-8	350...#6 (35...2.5 mm ²)	1.125 in (28.5 mm)	8 mm	350 kcmil...3/0 (185...95 mm)	200 lbs-in (22.6 N-m)		
					2/0...#1 (70...50 mm)	100 lbs-in (11.4 N-m)		
					#2...#6 (35...16 mm)	80 lbs-in (9 N-m)		
				2/0...#14 (70...2.5 mm ²)	0.875 in (22.2 mm)	5 mm	2/0...#1 (70...50 mm)	100 lbs-in (11.4 N-m)
							#2...#6 (35...16 mm)	80 lbs-in (9 N-m)
							#8...#14 (10...2.5 mm)	35 lbs-in (3.9 N-m)
				#2...#14 (35...2.5 mm ²)	0.875 in (15.9 mm)	4 mm	#2...#6 (35...16 mm)	80 lbs-in (9 N-m)
							#8...#14 (10...2.5 mm)	35 lbs-in (3.9 N-m)
1879400000 1879410000	WPDB 185 1-1 AL WPDB 185 1-1	400...#6 (185...16 mm ²)	1.3 in (33 mm)	10 mm	400 kcmil...00 (185...70 mm)	220 lbs-in (24.9 N-m)		
					0...#2 (50...35 mm)	170 lbs-in (19.2 N-m)		
					#3...#6 (25...16 mm)	130 lbs-in (14.7 N-m)		
1879440000 1879450000	WPDB 300 2-2 AL WPDB 300 2-2	600...#4 (300...25 mm ²)	1.3 in (33 mm)	10 mm	600...500 kcmil (300...240 mm)	310 lbs-in (35.1 N-m)		
					400 kcmil...00 (185...70 mm)	220 lbs-in (24.9 N-m)		
					0...#2 (50...35 mm)	170 lbs-in (19.2 N-m)		
					#3...#4 (25 mm)	130 lbs-in (14.7 N-m)		

*Wire sizes based on AWG/kcmil standards with closest commercially available mm size.

**Torque values -0, +10%.



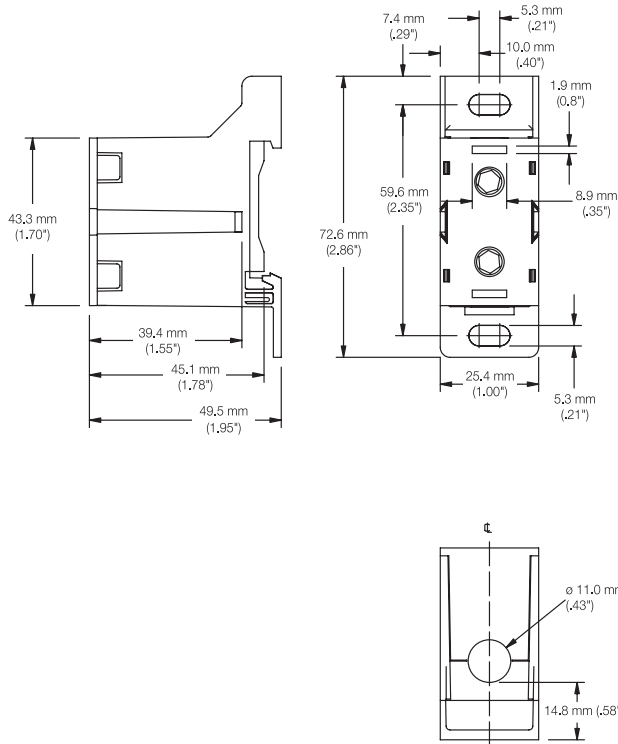
trim line

Power Distribution Blocks

Housing Dimensions

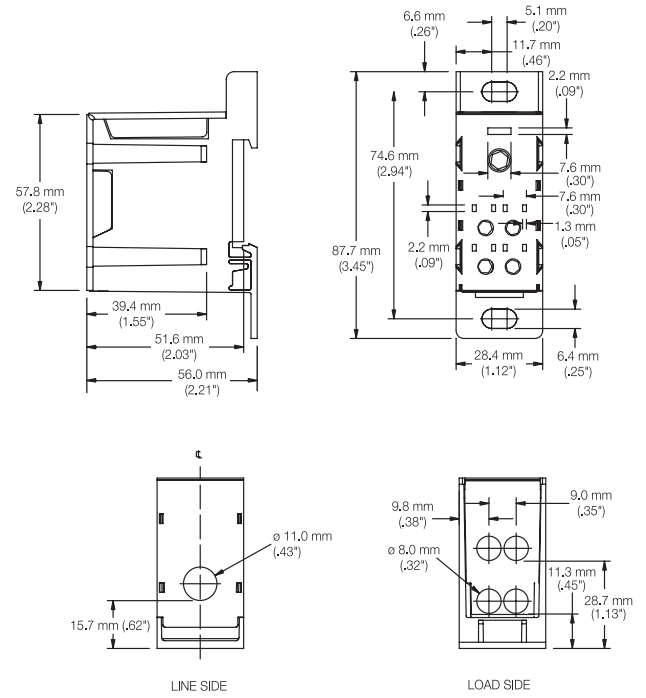
WPDB 70 1-1

WPDB 70 1-1 AL



WPDB 70/35 1-4

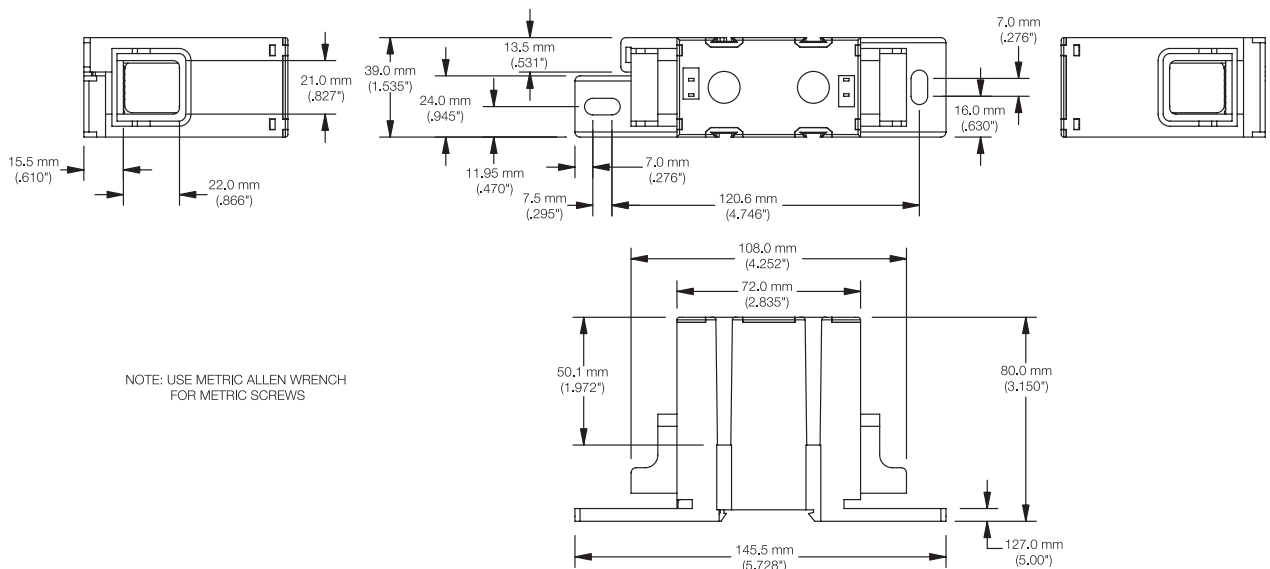
WPDB 70/35 1-4 AL



(trim line)

WPDB 185 1-1

WPDB 185 1-1 AL

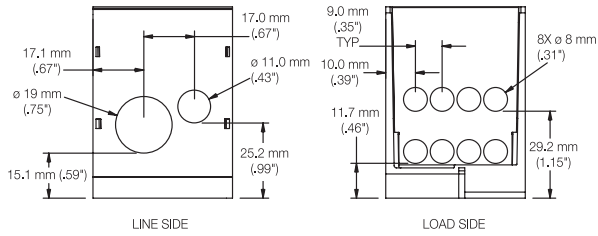
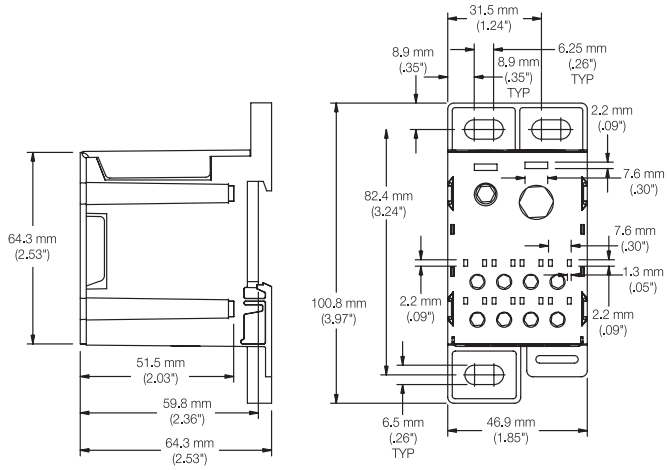


Power Distribution Blocks

Housing Dimensions

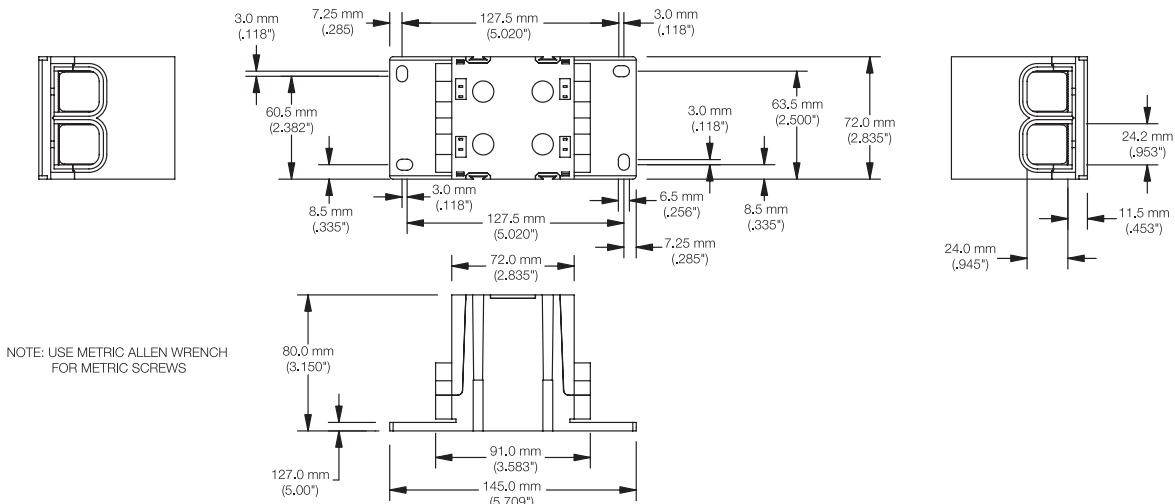
WPDB 185/35 1-8

WPDB 185/35 1-8 AL



WPDB 300 2-2

WPDB 300 2-2 AL



NOTE: USE METRIC ALLEN WRENCH FOR METRIC SCREWS