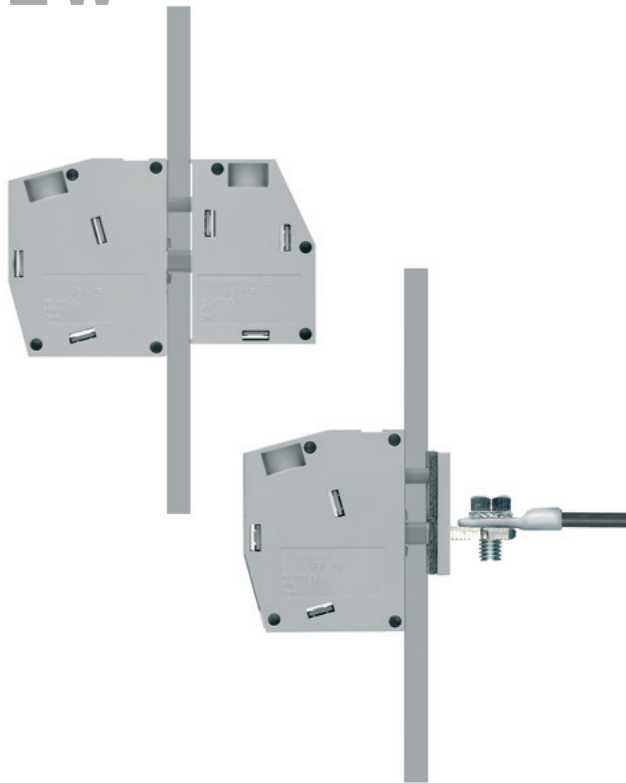


Panel feed-through terminals WGK

NEW



With the new WGK series of panel feed-through terminals, Weidmüller offers a universal solution for feeding currents of different magnitudes through enclosure walls. Locking together housing halves enable a separable and easily mounted joint for connection of system components. The use of proven Weidmüller clamping yoke connection systems guarantees a maintenance-free and vibration-proof joint.

The finger-touch safe insulated housing, designed in flammability class UL 94-V0, can be marked with standard Weidmüller markers. WGK panel feed-through terminals are available for rated cross-sections of 4, 10, 16, 25, 50 and 95 mm².

Besides the standard versions with 2 housing halves with horizontal connecting direction, versions with vertical wire entry and versions for connecting cable lugs on the inside half of the housing are also available. All versions are also optionally available with pins for easy end-to-end mounting.

United Kingdom

Weidmüller Ltd.
1 Abbey Wood Road
Kings Hill
West Malling
Kent ME19 4YT
Phone +44 1732 877000
Fax +44 1732 873873
info@weidmuller.co.uk
www.weidmueller.com

USA

W-Interconnections, Inc.
821 Southlake Boulevard,
Richmond, VA 23236
Phone +1 804 7942877
Fax +1 804 3792593
info@weidmuller.com
www.weidmuller.com

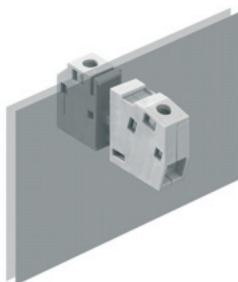
Other countries

Weidmüller Interface GmbH & Co. KG
P.O. Box 3030
32720 Detmold
Phone +49 5231 14-0
Fax +49 5231 14-20 83
info@weidmueller.com
www.weidmueller.com

Panel feed-through terminals

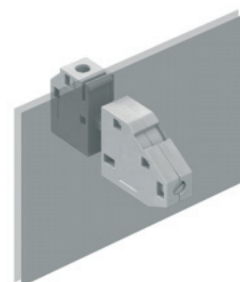
WGK 4

4 mm²



WGKV 4

4 mm²



Width / length / height internal	mm
Width / length / height external	mm
max. current / max. conductor	A/mm ²
max. clamping range	mm ²

8.1 x 15.5 x 21
8.1 x 20 x 21.5
41 / 4
0.2 ... 6

8.1 x 15.5 x 21
8.1 x 24.5 x 20.5
41 / 4
0.2 ... 6

Technical data

Rated data	
Rated voltage	V
Rated current	A
Rated cross-section	mm ²
Rated impulse withstand voltage / Pollution severity	kV/-
Gauge to IEC 60947-1 / UL94 Flammability class	
Approvals	

IEC 60947-7-1 (-7-2)			
IEC	UL	CSA	EN 60079-7
400	300	300	
41	30	30	
4	AWG 30 ... 10	AWG 22 ... 10	
6 / 3			
A3 / V-0			
IEC 60947- 7- 1, UL 1059; CSA ...			

IEC 60947-7-1 (-7-2)			
IEC	UL	CSA	EN 60079-7
400	300	300	
41	30	30	
4	AWG 30 ... 10	AWG 22 ... 10	
6 / 3			
A3 / V-0			
IEC 60947- 7- 1, UL 1059; CSA ...			

Clamped conductors (H05V/H07V)	
Solid / stranded	mm ²
Flexible / Flexible with wire end ferrule	mm ²
Tightening torque range (clamping screw)	Nm
Stripping length / Blade size	mm / -

Rated connection	further connection
0.2 ... 6 / 0.2 ... 4	
0.2 ... 4 / 0.25 ... 4	
0.6	
8 / 0.6 x 3.5	

Rated connection	further connection
0.2 ... 6 / 0.2 ... 4	
0.2 ... 4 / 0.25 ... 4	
0.6	
8 / 0.6 x 3.5	

Note

Ordering data

Version

Type	Qty.	Order No.
WGK 4		1936550000
WGK 4 gn/ye		1936540000
WGK 4/Z		1936570000
WGK 4/Z gn/ye		1936560000

Type	Qty.	Order No.
WGKV 4		1934050000
WGKV 4 gn/ye		1936610000
WGKV 4/Z		1936630000
WGKV 4/Z gn/ye		1936620000

Note

Accessories

Spacer plate



Type	width [mm]	Qty.	Order No.
DP WGK 4		50	1936450000

Type	width [mm]	Qty.	Order No.
DP WGK 4		50	1936450000

Screwdrivers

with cutting device "swifty set"
Standard

SDI 0.6x3.5x100	1	9008390000
-----------------	---	------------

SDI 0.6x3.5x100	1	9008390000
-----------------	---	------------

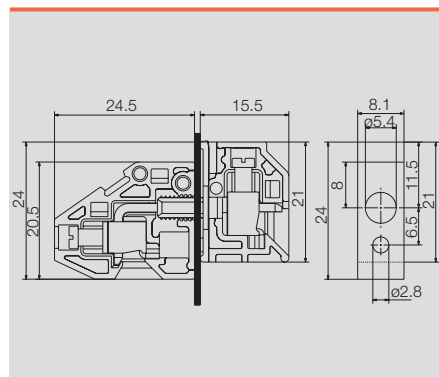
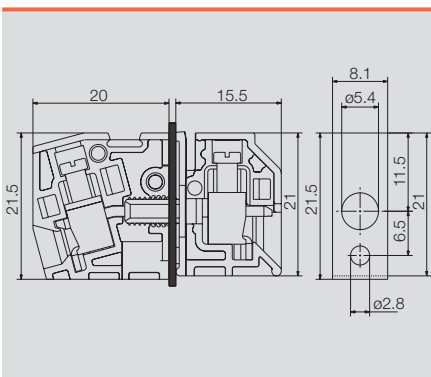
Labelling systems

(see large assortment in catalogue 7)
Marking tags

DEK 5, 6 and 8		
----------------	--	--

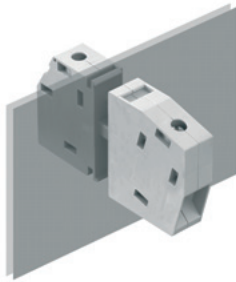
DEK 5, 6 and 8		
----------------	--	--

Technical Drawing



WGK 10

10 mm²



10.1 x 18.8 x 25.5
10.1 x 24.5 x 31
76 / 10
0.5 ... 16

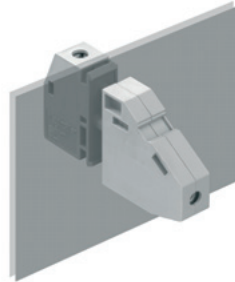
IEC 60947-7-1 (-7-2)

IEC	UL	CSA	EN 60079-7
400	300	300	
76	65	65	
10	AWG 24 ... 6	AWG 22 ... 6	
6 / 3			
B6 / V-0			
IEC 60947-7-1, UL 1059; CSA ...			

Rated connection	further connection
0.5 ... 16	
0.5 ... 10	
1.2	
11 / 0.8 x 4	

WGKV 10

10 mm²



10.1 x 18.8 x 25.5
10.1 x 31 x 30.5
76 / 10
0.5 ... 16

IEC 60947-7-1 (-7-2)

IEC	UL	CSA	EN 60079-7
400	300	300	
76	65	65	
10	AWG 24 ... 6	AWG 22 ... 6	
6 / 3			
B6 / V-0			
IEC 60947-7-1, UL 1059; CSA ...			

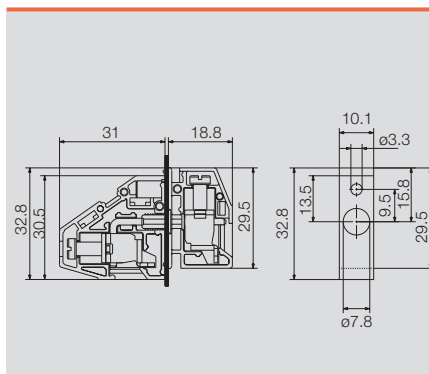
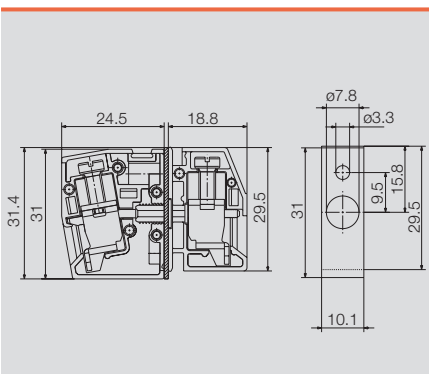
Rated connection	further connection
0.5 ... 16	
0.5 ... 10	
1.2	
11 / 0.8 x 4	

Type	Qty.	Order No.
WGK 10		1936510000
WGK 10 gn/ye		1936500000
WGK 10/Z		1936530000
WGK 10/Z gn/ye		1936520000

Type	Qty.	Order No.
WGKV 10		1934060000
WGKV 10 gn/ye		1936580000
WGKV 10/Z		1936600000
WGKV 10/Z gn/ye		1936590000

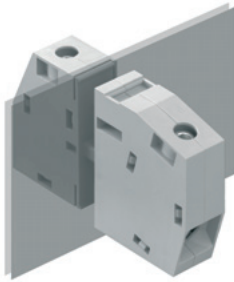
Type	width [mm]	Qty.	Order No.
DP WGK 10	50		1936440000
SDI 0.8x4.0x100		1	9008400000
DEK 5, 6 and 8			

Type	width [mm]	Qty.	Order No.
DP WGK 10	50		1936440000
SDI 0.8x4.0x100		1	9008400000
DEK 5, 6 and 8			



WGK 25

25 mm²



15.1 x 30 x 45
15.1 x 38.5 x 48.5
125 / 25
4 ... 35

IEC 60947-7-1 (-7-2)

IEC	UL	CSA	EN 60079-7
500	600	600	
125	100	100	
25	AWG 8 ... 3	AWG 8 ... 4	
6 / 3			
B8 / V-0			

IEC 60947-7-1, UL 1059; CSA ...

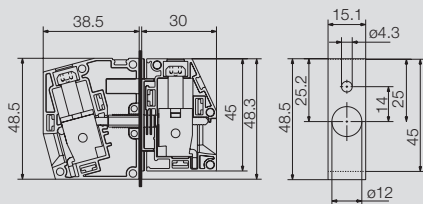
Rated connection	further connection
6 ... 35 / 10 ... 35	
10 ... 35 / 4 ... 25	
4	
18 / 1.0 x 5.5	

Type	Qty.	Order No.
WGK 25		1936850000
WGK 25 gn/ye		1936840000
WGK 25/Z		1936910000
WGK 25/Z gn/ye		1936900000

Type	width [mm]	Qty.	Order No.
DP WGK 25	50		1936710000

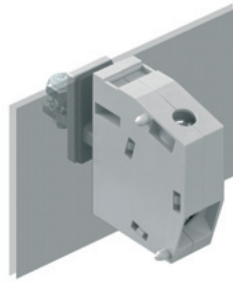
SDI 1.0x5.5x125	1	9008410000
-----------------	---	------------

DEK 6		
-------	--	--



WGK 25 VP

25 mm²



15.1 x 38.5 x 48.5
125 / 25
4 ... 35

IEC 60947-7-1 (-7-2)

IEC	UL	CSA	EN 60079-7
500	600	600	
125	100	100	
25	AWG 8 ... 3	AWG 8 ... 4	
6 / 3			
B8 / V-0			

IEC 60947-7-1, UL 1059; CSA ...

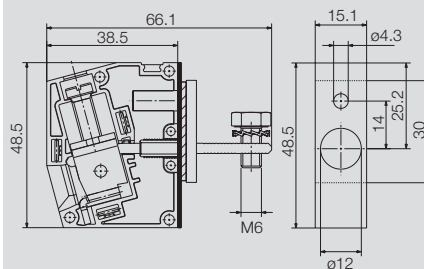
Rated connection	further connection
6 ... 35 / 10 ... 35	
10 ... 35 / 4 ... 25	
4	
18 / 1.0 x 5.5	

Type	Qty.	Order No.
WGK 25 VP		1936870000
WGK 25 VP gn/ye		1936860000
WGK 25 VP/Z		1936890000
WGK 25 VP/Z gn/ye		1936880000

Type	width [mm]	Qty.	Order No.
DP WGK 25	50		1936710000

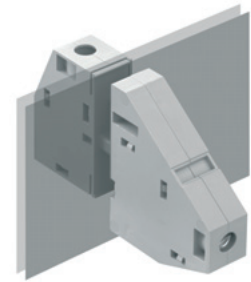
SDI 1.0x5.5x125	1	9008410000
-----------------	---	------------

DEK 6		
-------	--	--



WGKV 25

25 mm²



15.1 x 30 x 45
15.1 x 54 x 45.75
125 / 25
4 ... 35

IEC 60947-7-1 (-7-2)

IEC	UL	CSA	EN 60079-7
500	600	600	
125	100	100	
25	AWG 8 ... 3	AWG 8 ... 4	
6 / 3			
B8 / V-0			

IEC 60947-7-1, UL 1059; CSA ...

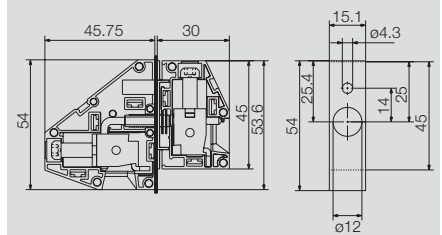
Rated connection	further connection
6 ... 35 / 10 ... 35	
10 ... 35 / 4 ... 25	
4	
18 / 1.0 x 5.5	

Type	Qty.	Order No.
WGKV 25		1936730000
WGKV 25 gn/ye		1936720000
WGKV 25/Z		1936750000
WGKV 25/Z gn/ye		1936740000

Type	width [mm]	Qty.	Order No.
DP WGK 25	50		1936710000

SDI 1.0x5.5x125	1	9008410000
-----------------	---	------------

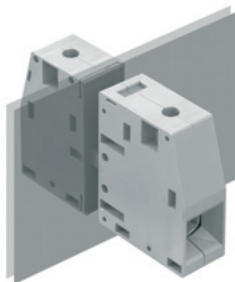
DEK 6		
-------	--	--



Panel feed-through terminals

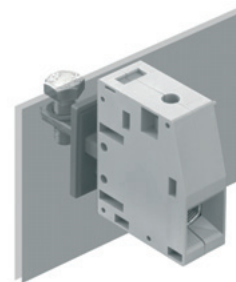
WGK 50

50 mm²



WGK 50 VP

50 mm²



Width / length / height internal	mm
Width / length / height external	mm
max. current / max. conductor	A/mm ²
max. clamping range	mm ²

18.8 x 35 x 55
18.8 x 43 x 54
150 / 50
6 ... 50

18.8 x 43 x 54
150 / 50
6 ... 50

Technical data

Rated data	
Rated voltage	V
Rated current	A
Rated cross-section	mm ²
Rated impulse withstand voltage / Pollution severity	kV/-
Gauge to IEC 60947-1 / UL94 Flammability class	
Approvals	

IEC 60947-7-1 (-7-2)			
IEC	UL	CSA	EN 60079-7
690	600	600	
150	150	125	
50	AWG 6 ... 1-0		
8 / 3			
B10 / V-0			
IEC 60947- 7- 1, UL 1059; CSA ...			

IEC 60947-7-1 (-7-2)			
IEC	UL	CSA	EN 60079-7
690	600	600	
150	150	125	
50	AWG 6 ... 1-0		
8 / 3			
B10 / V-0			
IEC 60947- 7- 1, UL 1059; CSA ...			

Clamped conductors (H05V/H07V)	
Solid / stranded	mm ²
Flexible / Flexible with wire end ferrule	mm ²
Tightening torque range (clamping screw)	Nm
Stripping length / Blade size	mm / -

Rated connection	further connection
16 ... 50	
16 ... 50 / 10 ... 50	
6	
24 / 1.2 x 6.5	

Rated connection	further connection
16 ... 50	
16 ... 50 / 10 ... 50	
6	
24 / 1.2 x 6.5	

Note

Ordering data

Version

Type	Qty.	Order No.
WGK 50		1937090000
WGK 50 gn/ye		1937040000
WGK 50/Z		1937110000
WGK 50/Z gn/ye		1937100000

Type	Qty.	Order No.
WGK 50 VP		1937060000
WGK 50 VP gn/ye		1937050000
WGK 50 VP/Z		1937080000
WGK 50 VP/Z gn/ye		1937070000

Note

Accessories

Spacer plate



Screwdrivers
with cutting device "swifty set"
Standard

Labelling systems
(see large assortment in catalogue 7)
Marking tags

Type	width [mm]	Qty.	Order No.
DP WGK 50	50		1937030000

Type	width [mm]	Qty.	Order No.
DP WGK 50	50		1937030000

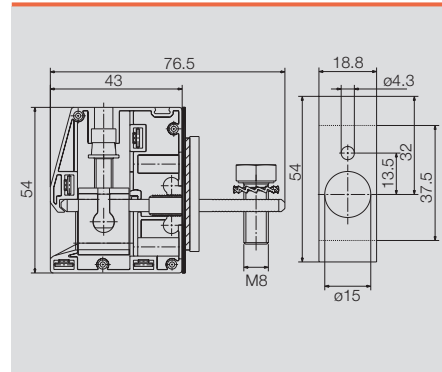
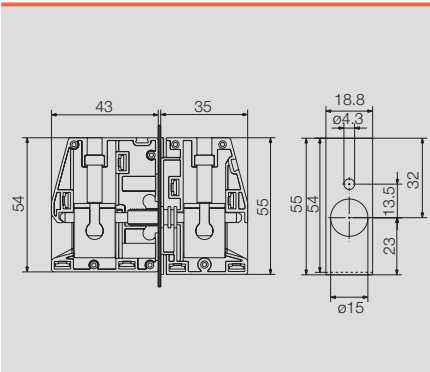
SDI 1.2x6.5x150	1	9008420000
-----------------	---	------------

SDI 1.2x6.5x150	1	9008420000
-----------------	---	------------

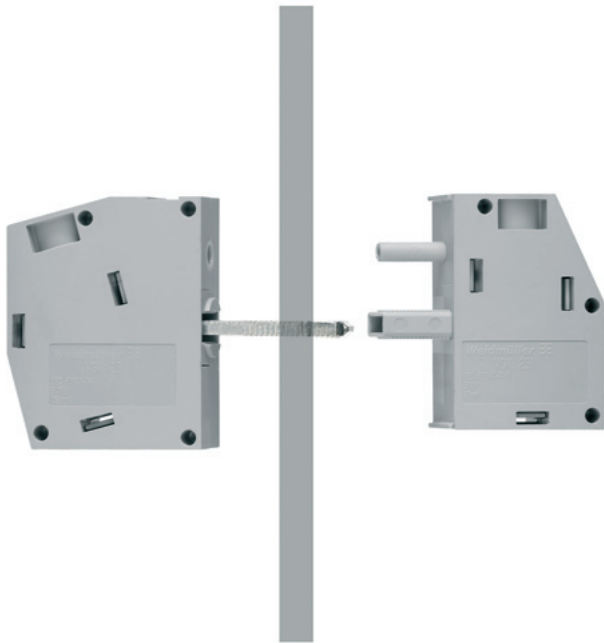
DEK 6		
-------	--	--

DEK 6		
-------	--	--

Technical Drawing

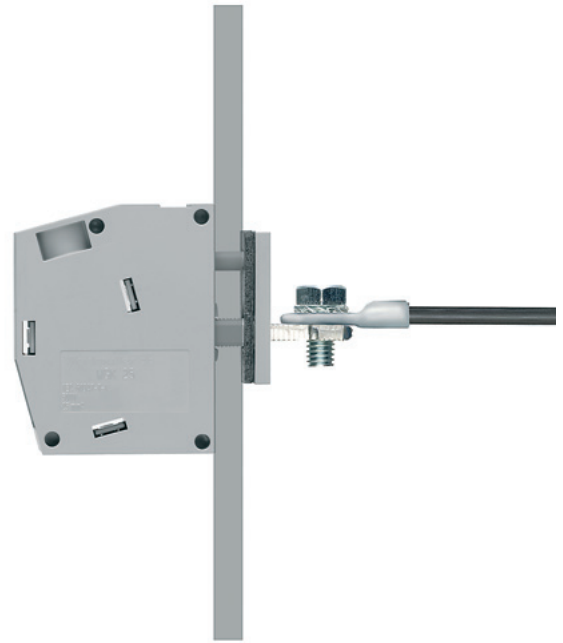


Panel feed-through terminals



Panel feed-through terminals with horizontal or vertical wire entry:

WGK products are especially suitable for industrial enclosures for frequency inverters, power supplies or filter modules for which finger-touch safe insulated housings offer convenient and reliable connection systems on the inside and outside. Versions with rated cross-sections of 4, 10, 16, 25, 50 and 95 mm² are available.



Panel feed-through terminals for connection of cable lugs:

The WGK...VP version with an insulated housing with clamping yoke connection on the outside and cable lug connection on the current bar on the inside are especially suitable for use in encapsulated devices such as filter modules. The external connection of these versions is identical to the WGK panel feed-through terminals with horizontal wire entry. A sealing plate that prevents the escape of encapsulating compound by means of a seal is used on the internal side for fastening in the enclosure wall. The WGK...VP versions are available in rated cross-sections of 16 – 95 mm².