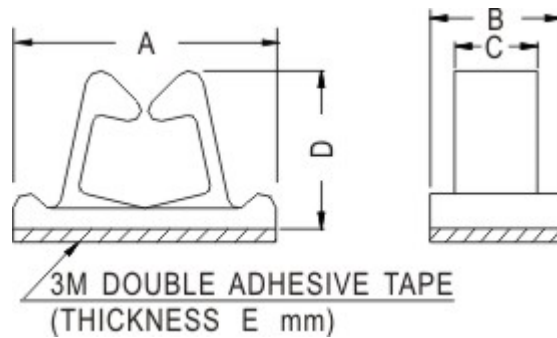


521220000



A [mm]	B [mm]	C [mm]	D [mm]	E [mm]
17.8	8.9	5.6	10.7	1.1

521220000		Material: Nylon 66, UL94 V-2	
CABLE HOLDER SELF-ADHESIVE		Surface: natural	
		Drawn Mark Wirth 2011-10-27	Last Update Mark Wirth 2011-10-27

Würth Elektronik eiSos GmbH & Co KG
D – 74638 Waldenburg
Max-Eyth-Straße 1
Tel.: 0049 7942-945-0 / Fax: 0049 7942-945-400
www.we-online.de