

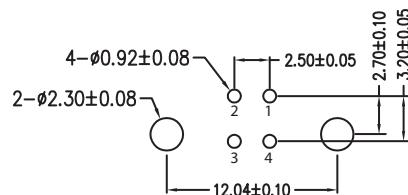
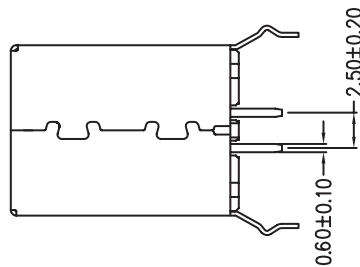
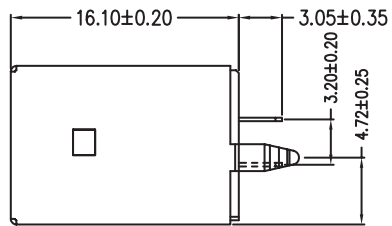
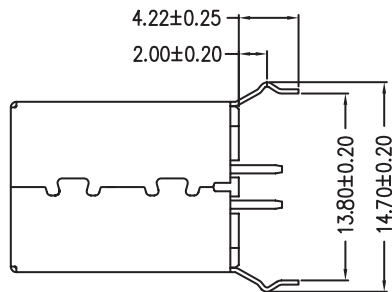
1

2

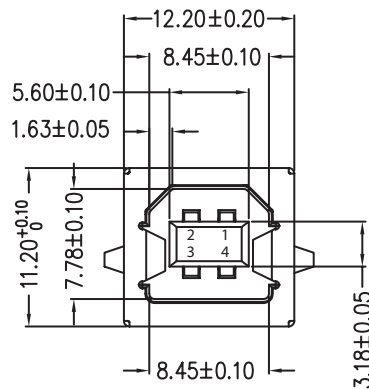
3

4

5



PCB LAYOUT - COMPONENT VIEW



TECHNICAL CHARACTERISTICS

MATERIAL  
 INSULATOR: PBT  
 FLAMMABILITY RATING: UL94-V0  
 COLOR: BLACK  
 CONTACT MATERIAL: COPPER ALLOY  
 CONTACT TYPE: STAMPED  
 CONTACT PLATING: SELECTIVE GOLD  
 SHIELDING: BRASS NI PLATED  
 QUALITY CLASS: 1500 MATING CYCLES

ENVIRONMENTAL  
 OPERATING TEMPERATURE: -20 °C UP TO +85 °C  
 COMPLIANCE: LEAD FREE AND ROHS

ELECTRICAL  
 CURRENT RATING: 1.5 A  
 WORKING VOLTAGE: 30 VAC  
 INSULATION RESISTANCE: >1000 MΩ  
 DIELECTRIC WITHSTANDING VOLTAGE: 500 VAC/MIN  
 CONTACT RESISTANCE: 30 mΩ MAX

SOLDERING  
 JEDEC LEAD FREE WAVE SOLDERING

PACKAGING  
 TRAY

A

B

C

RoHS Compliant

G			
F			
E			
D	07-JUN-16	TPK	AK
C	27-OCT-14	REVIEW	QL
B	15-FEB-13	DESIGNATION	AR
A	18-MAR-08	PDF	CH
REV	DATE	FILE	BY

PROJECTION:



APPROVAL: NPr

GENERAL TOLERANCE

.X = +/- 0.2

.XX = +/- 0.15



UNIT: MM

SCALE:

SHEET: 1/3

DRAW: QL

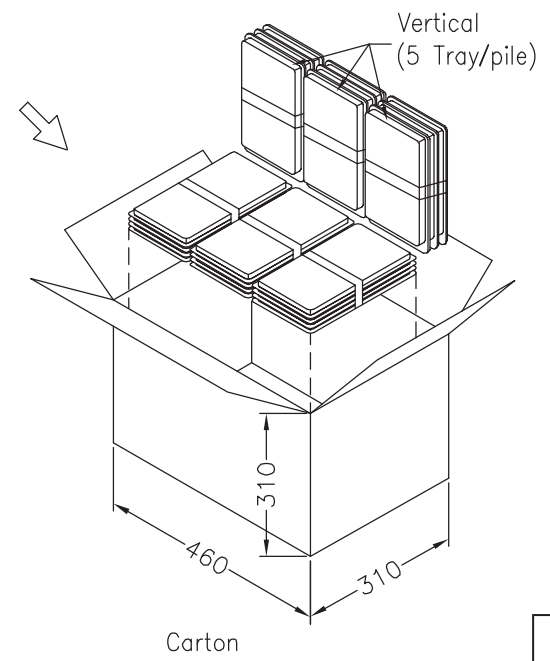
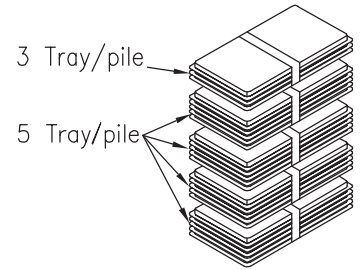
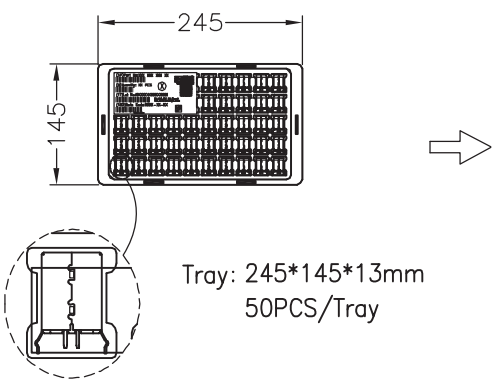
DESCRIPTION: USB 2.0 TYPE B VERTICAL BLACK

WERI PART NO: 614 004 141 221

SIZE

A4

D



50 pcs/tray  
84 trays/carton  
4200 pcs/carton

RoHS Compliant				PROJECTION: 	GENERAL TOLERANCE .X = +/- 0.2 .XX = +/- 0.15		DESCRIPTION: USB 2.0 TYPE B VERTICAL BLACK	SIZE <b>A4</b>
G								
F								
E								
D				APPROVAL: NPr	UNIT: MM	WERI PART NO: 614 004 141 221		
C					SCALE:			
B					SHEET: 2/3			
A				DRAW: AK				
REV	DATE	FILE	BY					

A  
B  
C  
D

1

2

3

4

5

## Cautions and Warnings:

This electronic component is designed and developed with the intention for use in general electronics equipments.

Before incorporating the components into any equipments in the field such as aerospace, aviation, nuclear control, submarine, transportation, (automotive control, train control, ship control), transportation signal, disaster prevention, medical, public information network etc. where higher safety and reliability are especially required or if there is possibility of direct damage or injury to human body, Würth Elektronik must be asked for a written approval.

In addition, even electronic component in general electronic equipments, when used in electrical circuits that require high safety, reliability functions or performance, the sufficient reliability evaluation-check for the safety must be performed before by the user before usage.

A

B

C

RoHS Compliant

PROJECTION:



GENERAL TOLERANCE

.X = +/- 0.2

.XX = +/- 0.15



APPROVAL: JC

UNIT: MM

SCALE:

SHEET: 3/3

DRAW: QL



DESCRIPTION: DISCLAIMER

WERI PART NO: DISCLAIMER

SIZE

**A4**

D

G				PROJECTION: 	GENERAL TOLERANCE .X = +/- 0.2 .XX = +/- 0.15	
F						
E						
D						
C				APPROVAL: JC	UNIT: MM	DESCRIPTION: DISCLAIMER
B					SCALE:	
A	10-SEP-14	PDF	QL		SHEET: 3/3	WERI PART NO: DISCLAIMER
REV	DATE	FILE	BY		DRAW: QL	