

TECHNICAL CHARACTERISTICS

MATERIAL
 CONTACT MATERIAL: COPPER ALLOY
 CONTACT TYPE: STAMPED
 CONTACT PLATING: TIN
 QUALITY CLASS: 25 MATING CYCLES
 PITCH: FOR 3.00 MM

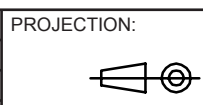
ENVIRONMENTAL
 OPERATING TEMPERATURE: -25 UP TO 105°C
 COMPLIANCE: LEAD FREE AND ROHS

ELECTRICAL
 CURRENT RATING: 5A
 WORKING VOLTAGE: 250 VAC
 INSULATOR RESISTANCE: >1000 MOHM
 DIELECTRIC WITHSTANDING VOLTAGE: 1500 VAC/MN
 CONTACT RESISTANCE: 10 mOHM MAX

WIRE DIMENSION: 20-24 AWG

PACKAGING
 REEL OF 10KPCS

RoHS Compliant			
J			
I			
H	06-SEP-16	REMOVE TABLE	AK
REV	DATE	FILE	BY



APPROVAL: BBu

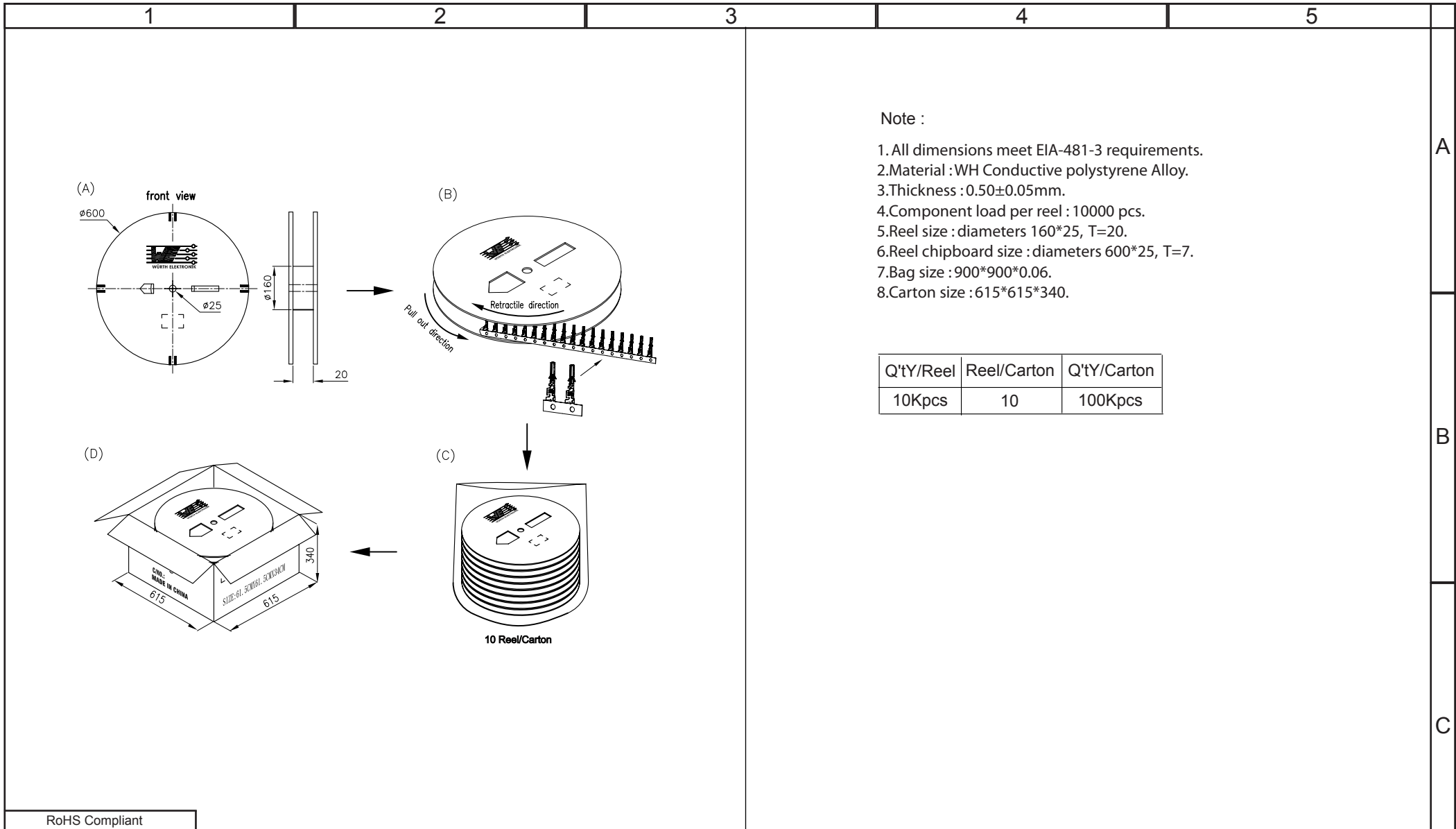
GENERAL TOLERANCE
 .X = +/- 0.2
 .XX = +/- 0.15



UNIT: MM
 SCALE:
 SHEET: 1/2
 DRAW: MIKE

DESCRIPTION: 3.00MM FEMALE CRIMP TERMINAL
 WERI PART NO: 662 001 137 22

SIZE
A4

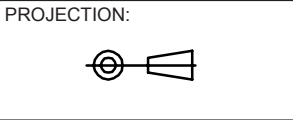


Note :

- 1. All dimensions meet EIA-481-3 requirements.
- 2. Material : WH Conductive polystyrene Alloy.
- 3. Thickness : 0.50±0.05mm.
- 4. Component load per reel : 10000 pcs.
- 5. Reel size : diameters 160*25, T=20.
- 6. Reel chipboard size : diameters 600*25, T=7.
- 7. Bag size : 900*900*0.06.
- 8. Carton size : 615*615*340.

Q'tY/Reel	Reel/Carton	Q'tY/Carton
10Kpcs	10	100Kpcs

RoHS Compliant			
G			
F			
E			
D			
C			
B			
A			
REV	DATE	FILE	BY



GENERAL TOLERANCE
 .X = +/- 0.2
 .XX = +/- 0.15



APPROVAL:

UNIT: MM
 SCALE:
 SHEET: 2/2
 DRAW: MIKE

DESCRIPTION: 3.00MM FEMALE CRIMP TERMINAL
 WERI PART NO: 6620 01 13722

SIZE
A4