

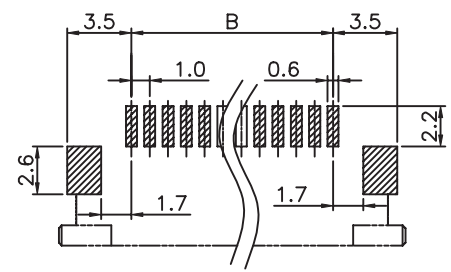
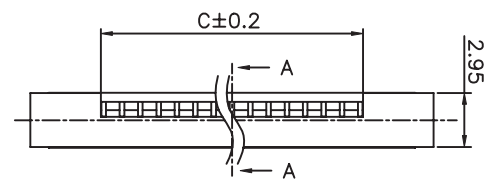
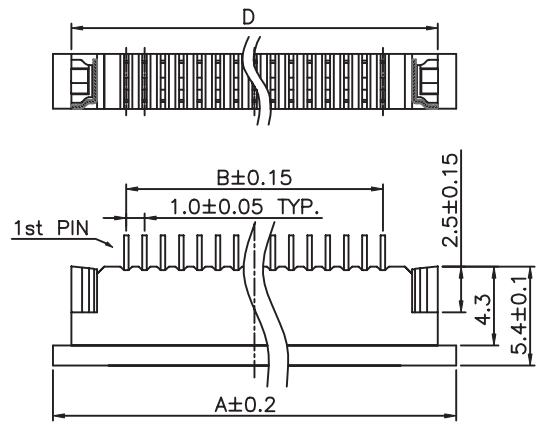
1

2

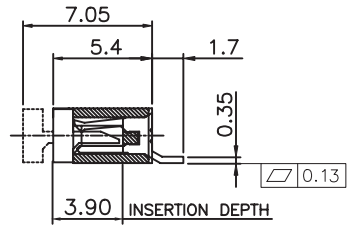
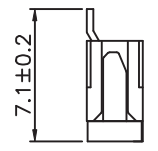
3

4

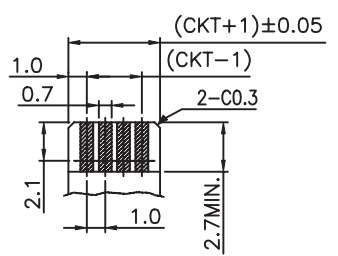
5



PCB LAYOUT - COMPONENT VIEW



SECT. A-A



APPLICABLE FFC LAYOUT (THICKNESS: 0.29 to 0.34)

MATERIAL:
 HOUSING MATERIAL: PPS
 COLOR: BEIGE
 ACTUATOR MATERIAL: PPS
 COLOR: BROWN
 CONTACT MATERIAL: PHOSPOR BRONZE
 CONTACT PLATING: 100µ TIN OVER 50µ NI
 QUALITY CLASS: 25 MATING CYCLES

ENVIRONNEMENTAL:
 OPERATING TEMPERATURE: -25°C UP TO 85°C
 FLAMABILITY RATING: UL94-V0
 COMPLIANCE: LEAD FREE AND ROHS

ELECTRICAL:
 CURRENT RATING: 1A
 WORKING VOLTAGE: 125V
 INSULATION RESISTANCE: >100MOHM
 DIELECTRIC WITHSTANDING VOLT.: 500VAC/MN
 CONTACT RESISTANCE: 20mOHM MAX

STANDARD
 CERTIFIED: E323964 / MODEL NUMBER 686
 FOLLOWED BY 1, FOLLOWED BY 03 THRU 30, FOLLOWED BY 141 OR 144, FOLLOWED BY NUMERIC DIGITS

SOLDERING:
 REFLOW PROCESS ONLY

DIMENSION:
 A = B + 8.00
 B = 1.00 x (NB PINS - 1)
 C = B + 2.15
 D = B + 6.00

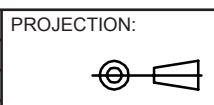
A

B

C

D

RoHS Compliant			
H	13-DEC-10	COPLANARITY	GG
REV	DATE	FILE	BY



APPROVAL: RJ

GENERAL TOLERANCE
 .X = +/- 0.2
 .XX = +/- 0.15

UNIT: MM
 SCALE:
 SHEET: 1/2
 DRAW: PEARL



DESCRIPTION: 1.0MM ZIF FPC HORIZONTAL TOP CONTACT TYPE - TAPE & REEL PACKAGING
 WERI PART NO: 6861 xx 14122

SIZE
A4

1

2

3

4

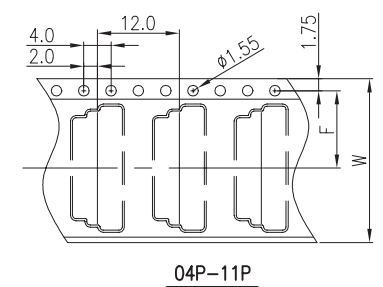
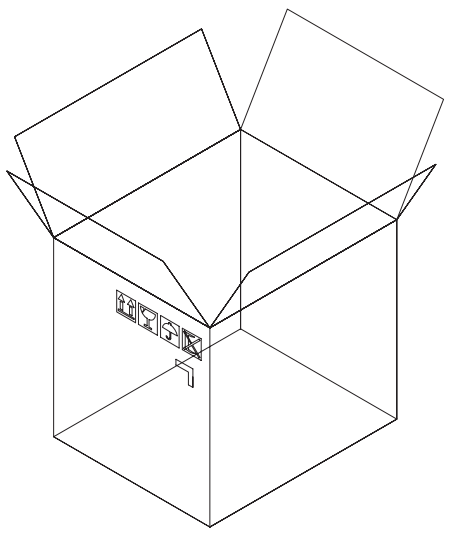
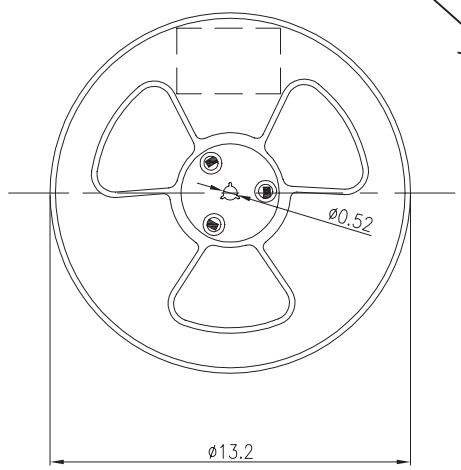
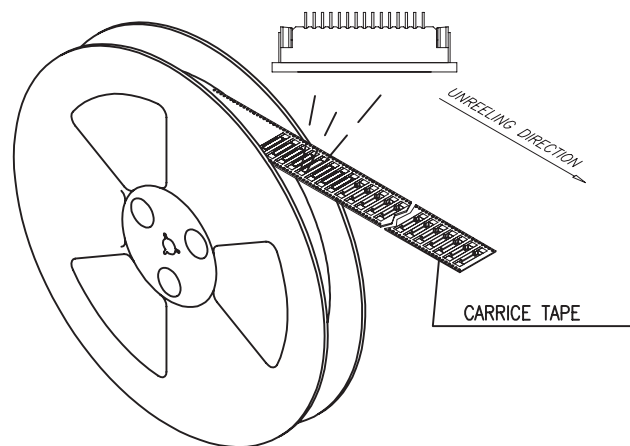
5

A

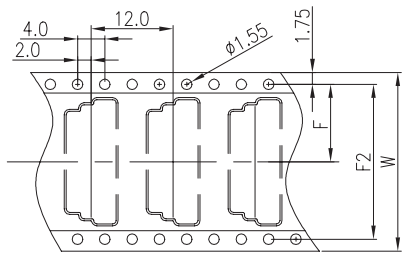
B

C

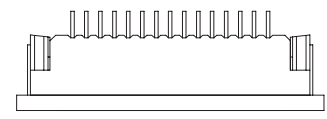
D



04P-11P



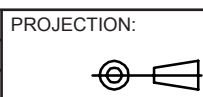
12P-30P



PIN	W	F	F2
04PIN	24mm	11.5mm	/
11PIN			
12PIN	32mm	14.2mm	28.4mm
15PIN			
16PIN	44mm	20.2mm	40.4mm
22PIN			
24PIN	56mm	26.2mm	52.4mm
30PIN			

NOTE:
 1. 10 sprocket hole pitch cumulative tolerance
 2. Carrier camber is within 1 mm in 100mm

RoHS Compliant			
G			
F			
E			
D			
C			
B			
A			
REV	DATE	FILE	BY



GENERAL TOLERANCE
 .X = ± 0.2
 .XX = ± 0.15



APPROVAL: RJ

UNIT: MM
 SCALE:
 SHEET: 2/2
 DRAW: PEARL

DESCRIPTION: 1.0MM ZIF FPC HORIZONTAL BOTTOM CONTACT TYPE - TAPE & REEL PACKAGING
 WERI PART NO: 6861 xx 14122

SIZE
A4