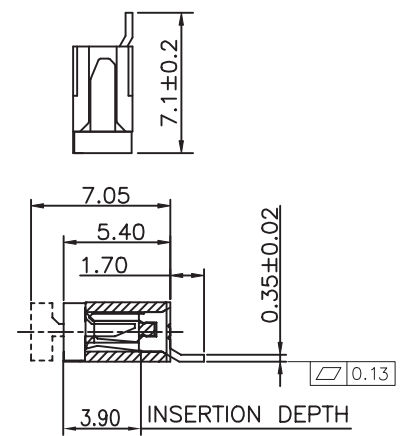
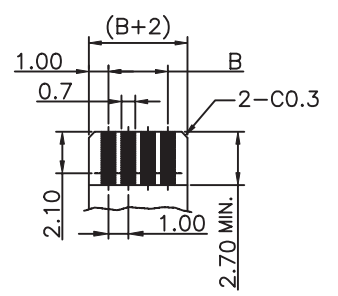


RECOMMENDED PCB LAYOUT - COMPONENT VIEW



SECT. A-A



APPLICABLE FFC LAYOUT (THICKNESS: 0.29 to 0.34)

MATERIAL:  
 HOUSING MATERIAL: PPS  
 COLOR: BEIGE  
 ACTUATOR MATERIAL: PPS  
 COLOR: BROWN  
 CONTACT MATERIAL: PHOSPOR BRONZE  
 CONTACT PLATING: 100µ TIN OVER 50µ NI  
 QUALITY CLASS: 25 MATING CYCLES

ENVIRONNEMENTAL:  
 OPERATING TEMPERATURE: -25°C UP TO 85°C  
 FLAMABILITY RATING: UL94-V0  
 COMPLIANCE: LEAD FREE AND ROHS

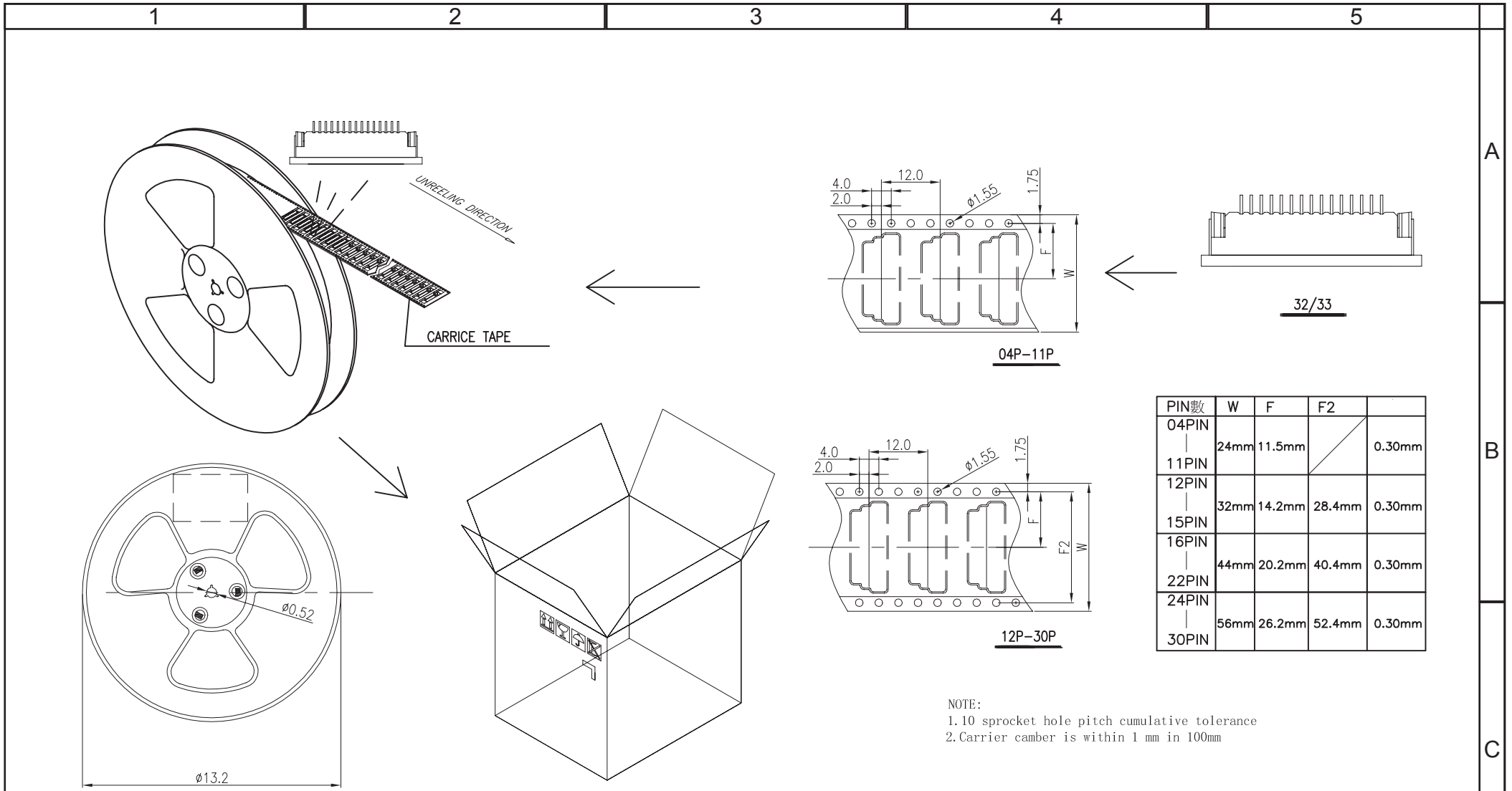
ELECTRICAL:  
 CURRENT RATING: 1A  
 WORKING VOLTAGE: 125V  
 INSULATION RESISTANCE: >100MOHM  
 DIELECTRIC WITHSTANDING VOLT.: 500VAC/MN  
 CONTACT RESISTANCE: 20mOHM MAX

STANDARD  
 CERTIFIED: E323964 / MODEL NUMBER 686  
 FOLLOWED BY 1, FOLLOWED BY 03 THRU 30, FOLLOWED BY 141 OR 144, FOLLOWED BY NUMERIC DIGITS

SOLDERING:  
 REFLOW PROCESS ONLY

DIMENSION:  
 A = B + 8.00  
 B = 1.00 x (NB PINS - 1)  
 C = B + 2.1  
 D = B + 6.00

|                |           |                 |    |                 |  |                   |
|----------------|-----------|-----------------|----|-----------------|--|-------------------|
| RoHS Compliant |           |                 |    | PROJECTION:<br> | GENERAL TOLERANCE<br>.X = +/- 0.2<br>.XX = +/- 0.15  |                   |
| G              | 13-DEC-10 | COPLANARITY     | GG |                 |  |                   |
| F              | 26-OCT-09 | STANDARD        | JP |                 |  |                   |
| E              | 03-AUG-09 | THICKNESS FFC   | JP |                 |  |                   |
| D              | 29-JUL-08 | INSERTION DEPTH | CH |                 |  |                   |
| APPROVAL: RJ   |           |                 |    | UNIT: MM        | DESCRIPTION: 1.0MM ZIF FPC HORIZONTAL BOTTOM CONTACT TYPE - TAPE & REEL PACKAGING<br>WERI PART NO: 6861 xx 14422 | SIZE<br><b>A4</b> |
| C              | 26-NOV-07 | MODIFICATIONS   | EC | SCALE:          |  |                   |
| B              | 14-MAR-07 | CHARACTERISTIC  | EC | SHEET: 1/2      |  |                   |
| A              | 02-OCT-06 | PDF             | JP | DRAW: PEARL     |  |                   |
| REV            | DATE      | FILE            | BY |                 |  |                   |



| PIN數  | W    | F      | F2     |        |
|-------|------|--------|--------|--------|
| 04PIN | 24mm | 11.5mm | /      | 0.30mm |
| 11PIN |      |        |        |        |
| 12PIN | 32mm | 14.2mm | 28.4mm | 0.30mm |
| 15PIN |      |        |        |        |
| 16PIN | 44mm | 20.2mm | 40.4mm | 0.30mm |
| 22PIN |      |        |        |        |
| 24PIN | 56mm | 26.2mm | 52.4mm | 0.30mm |
| 30PIN |      |        |        |        |

NOTE:  
 1. 10 sprocket hole pitch cumulative tolerance  
 2. Carrier camber is within 1 mm in 100mm

| RoHS Compliant |           |                 |    | PROJECTION:<br> | GENERAL TOLERANCE<br>.X = +/- 0.2<br>.XX = +/- 0.15 |   |                   |                             |
|----------------|-----------|-----------------|----|-----------------|---|---|-------------------|-----------------------------|
| G              |           |                 |    |                 |   |   |                   |                             |
| F              |           |                 |    |                 |   |   |                   |                             |
| E              |           |                 |    |                 |   |   |                   |                             |
| D              | 29-JUL-08 | INSERTION DEPTH | CH | APPROVAL: RJ    | UNIT: MM  | DESCRIPTION: 1.0MM ZIF FPC HORIZONTAL BOTTOM CONTACT TYPE - TAPE & REEL PACKAGING | SIZE<br><b>A4</b> |                             |
| C              | 26-NOV-07 | MODIFICATIONS   | EC |                 | SCALE:  |   |                   |                             |
| B              | 14-MAR-07 | CHARACTERISTIC  | EC |                 | SHEET: 2/2  |   |                   | WERI PART NO: 6861 xx 14422 |
| A              | 02-OCT-06 | PDF             | JP |                 | DRAW: PEARL   |   |                   |                             |
| REV            | DATE      | FILE            | BY |                 |   |   |                   |                             |