

MATERIAL:
 HOUSING MATERIAL: LCP
 COLOR: IVORY
 ACTUATOR MATERIAL: LCP
 COLOR: BLACK
 CONTACT MATERIAL: PHOSPOR BRONZE
 CONTACT PLATING: 100µ" TIN OVER 50µ" NI
 QUALITY CLASS: 25 MATING CYCLES*

ENVIRONMENTAL:
 OPERATING TEMPERATURE: -25°C UP TO 85°C
 FLAMABILITY RATING: UL94-V0
 COMPLIANCE: LEAD FREE AND ROHS

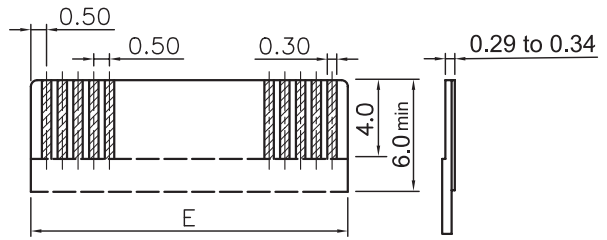
ELECTRICAL:
 CURRENT RATING: 0.5A
 WORKING VOLTAGE: 50V
 INSULATION RESISTANCE: >100MOHM
 DIELECTRIC WITHSTANDING VOLT.: 250VAC/MN
 CONTACT RESISTANCE: 20mOHM MAX

STANDARD
 CERTIFIED: E323964 / MODEL NUMBER 687
 FOLLOWED BY 1, FOLLOWED BY 04 THRU 50, FOLLOWED
 BY 140 OR 145, FOLLOWED BY NUMERIC DIGITS

SOLDERING:
 REFLOW PROCESS ONLY

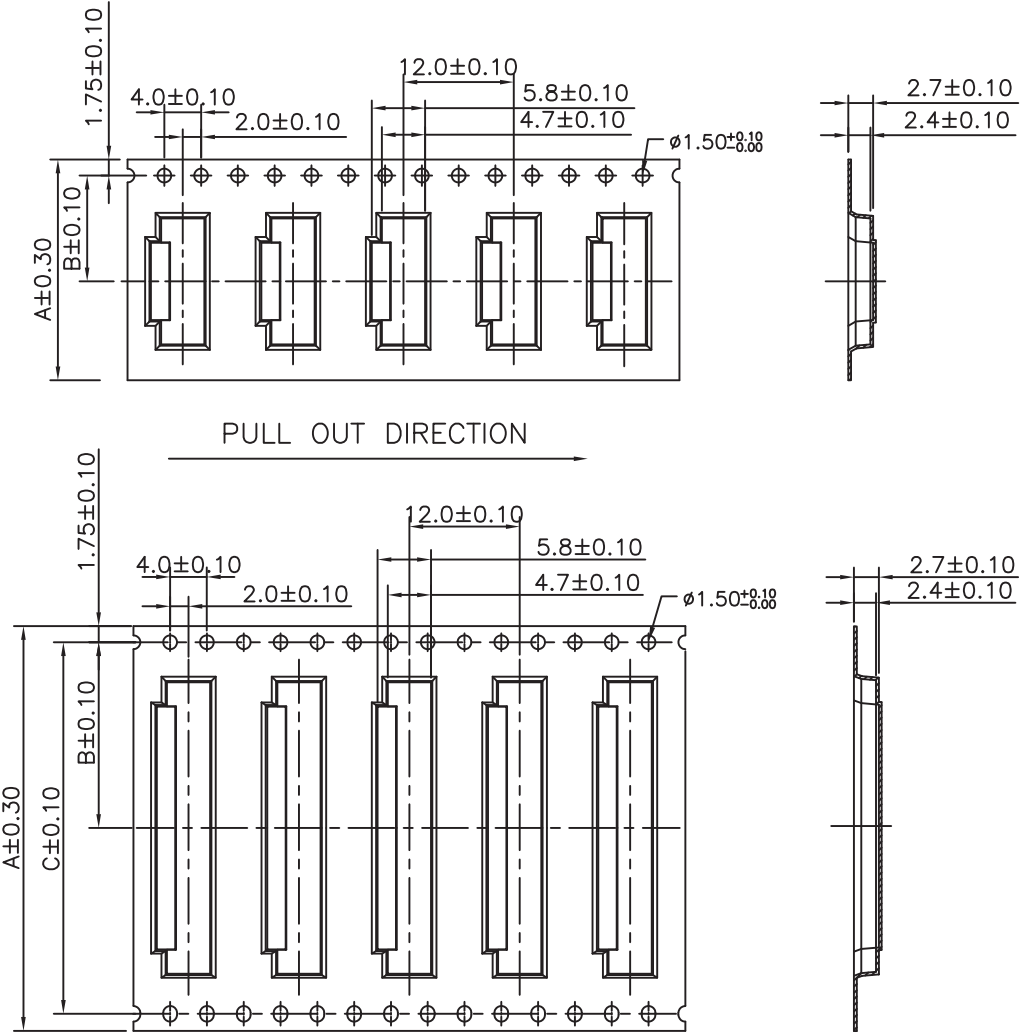
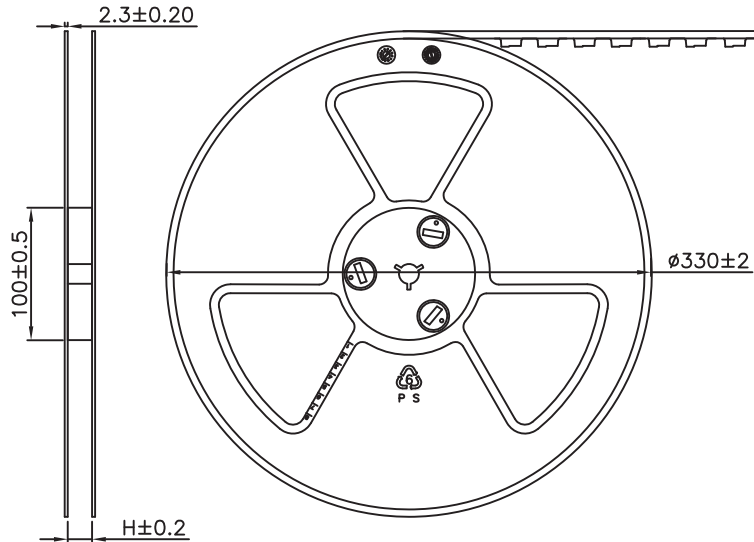
DIMENSION:
 B = 0.50 x NB PINS + 6.50
 C = 0.50 x (NB PINS - 1)
 D = 0.50 x (NB PINS + 1) + 0.10
 E = 0.50 x (NB PINS + 1)

RECOMMENDED PCB LAYOUT - COMPONENT VIEW



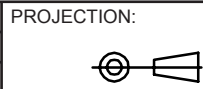
APPLICABLE FFC LAYOUT

| | | | | | |
|----------------|-----------|--|----|-----------------|---|
| RoHS Compliant | | *NOTE: theoretical value related to the Tin plating; however, due to the sensitive actuator, we recommend not to make more than 1 or 2 cycles in order to maintain acceptable mechanical & electrical conditions | | | |
| | | | | PROJECTION: | GENERAL TOLERANCE .X = +/- 0.2 .XX = +/- 0.15 |
| | | | | APPROVAL: RJ | UNIT: MM SCALE: SHEET: 1/3 DRAW: PEARL |
| H | 13-DEC-13 | TPK UPDATE | QL | | DESCRIPTION: 0.5MM ZIF FPC HORIZONTAL TOP CONTACT TYPE - TAPE & REEL PACKAGING WERI PART NO: 6871 xx 14022 |
| REV | DATE | FILE | BY | | |
| | | | | | SIZE A4 |



| Dimension | 4-6 PIN | 8-20 PIN | 22-30 PIN | 32-50 PIN |
|-----------|---------|----------|-----------|-----------|
| A | 16 | 24 | 32 | 44 |
| B | 7.5 | 11.5 | 14.2 | 20.2 |
| C | / | / | 28.4 | 40.4 |
| H | 16.5 | 24.5 | 32.5 | 44.5 |
| RFFL/CTN | 9 | 7 | 5 | 4 |

| | | | | |
|----------------|------|------|----|--|
| RoHS Compliant | | | | |
| G | | | | |
| F | | | | |
| E | | | | |
| D | □ | | | |
| C | | | | |
| B | | | | |
| A | | | | |
| REV | DATE | FILE | BY | |



GENERAL TOLERANCE
 .X = +/- 0.2
 .XX = +/- 0.15

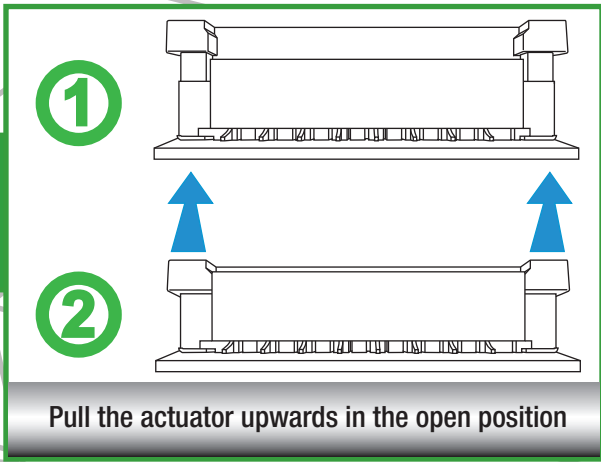


APPROVAL: RJ

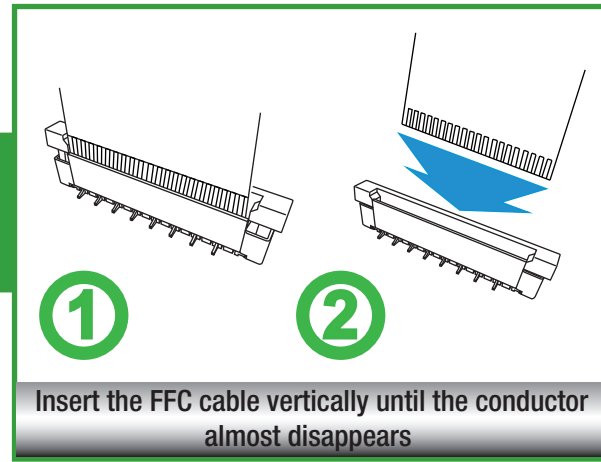
UNIT: MM
 SCALE:
 SHEET: 2/3
 DRAW: PEARL

DESCRIPTION: 0.5MM ZIF FPC HORIZONTAL TOP CONTACT TYPE - TAPE & REEL PACKAGING
 WERI PART NO: 6871 xx 14022

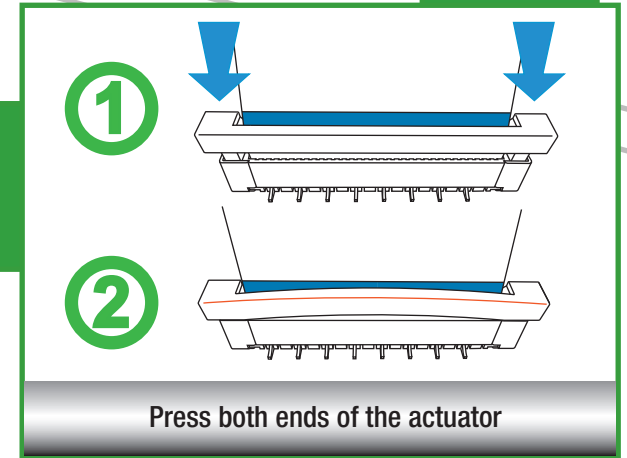
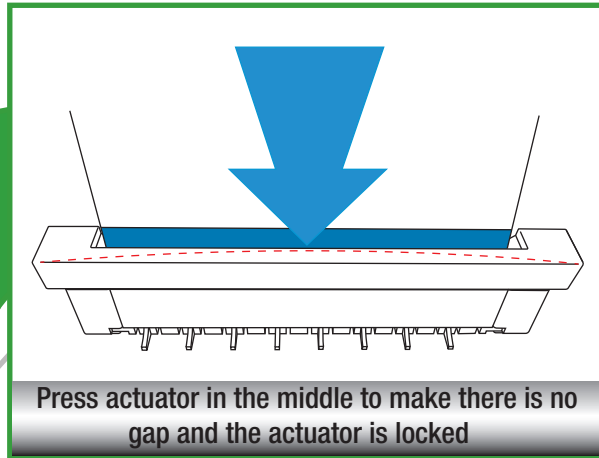
SIZE
A4

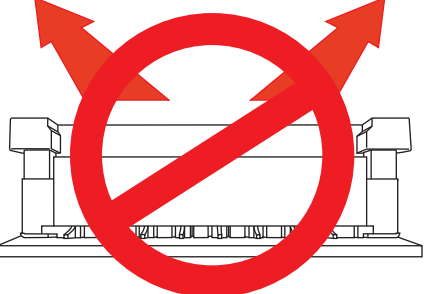


A



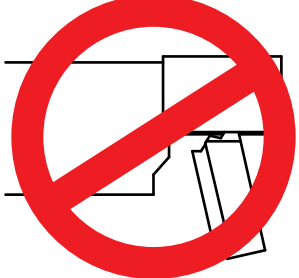
B



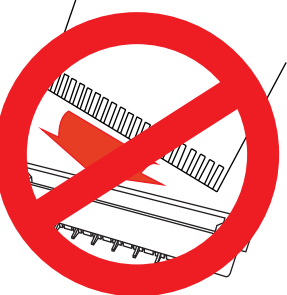


Pull the actuator as horizontally as possible by a proper force

A

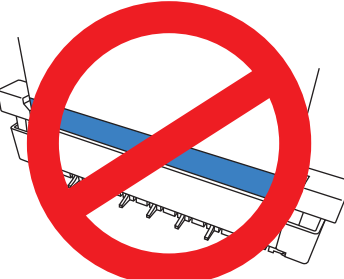


Do not pull the actuator too far otherwise the stop limit (hook on actuator) may be broken



Do not keep FFC inclined when insertion

B



Don't keep conductor toward actuator