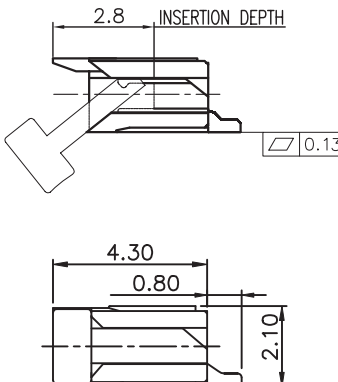
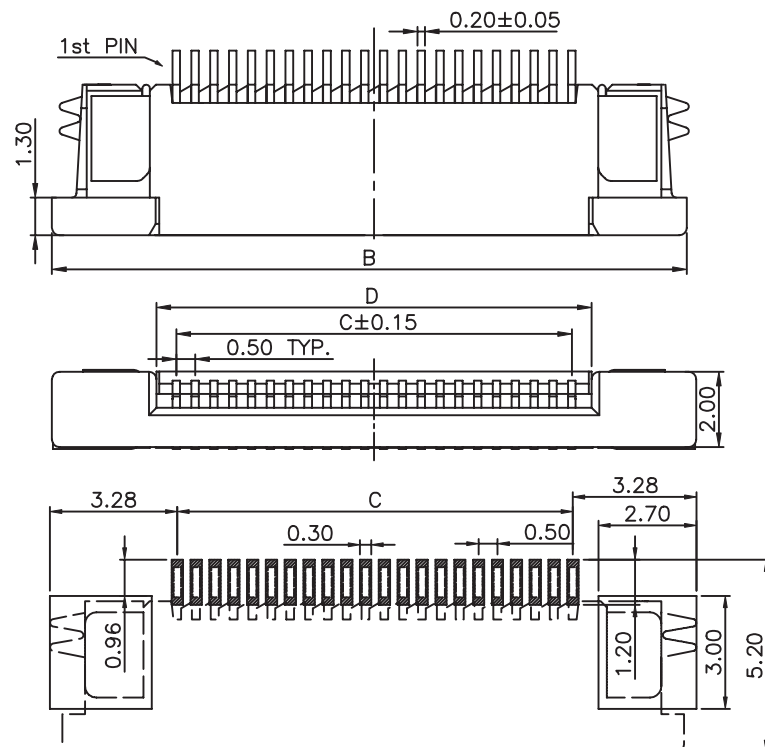


1 2 3 4 5



MATERIAL:  
 HOUSING MATERIAL: LCP  
 COLOR: IVORY  
 ACTUATOR MATERIAL: LCP  
 COLOR: BLACK  
 CONTACT MATERIAL: PHOSPOR BRONZE  
 CONTACT PLATING: 100µ" TIN OVER 50µ" NI  
 QUALITY CLASS: 25 MATING CYCLES\*

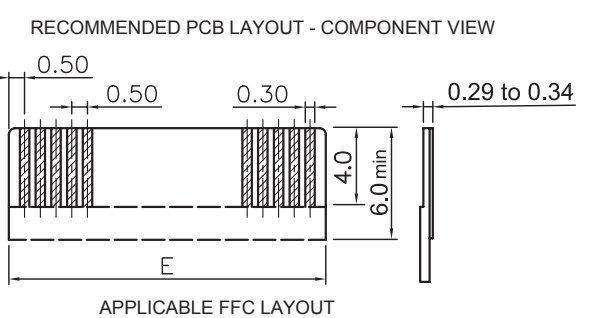
ENVIRONMENTAL:  
 OPERATING TEMPERATURE: -25°C UP TO 85°C  
 FLAMABILITY RATING: UL94-V0  
 COMPLIANCE: LEAD FREE AND ROHS

ELECTRICAL:  
 CURRENT RATING: 0.5A  
 WORKING VOLTAGE: 50V  
 INSULATION RESISTANCE: >100MOHM  
 DIELECTRIC WITHSTANDING VOLT.: 250VAC/MN  
 CONTACT RESISTANCE: 20mOHM MAX

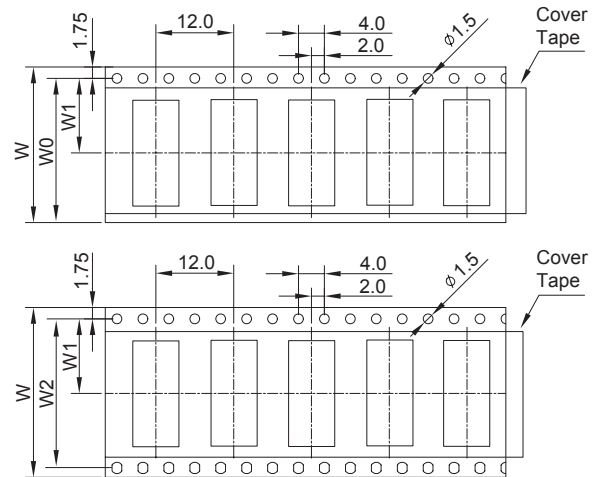
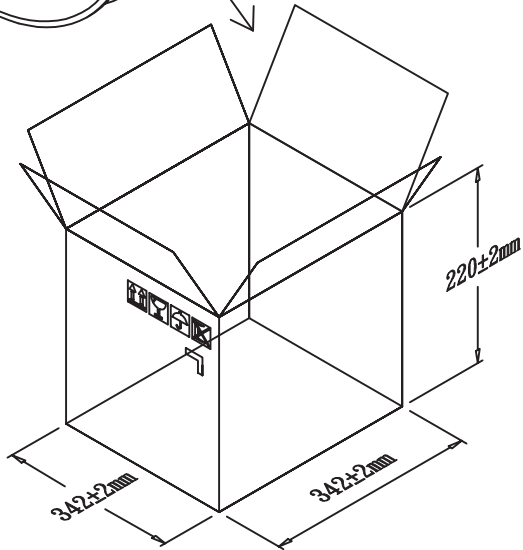
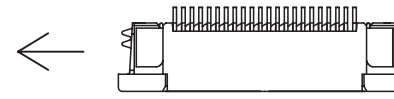
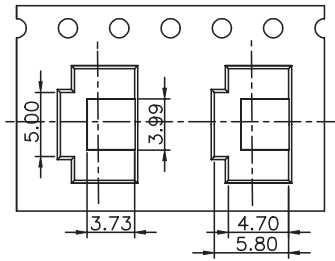
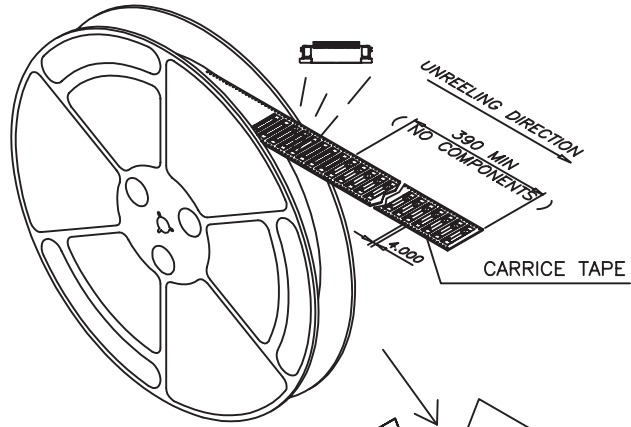
STANDARD  
 CERTIFIED: E323964 / MODEL NUMBER 687  
 FOLLOWED BY 1, FOLLOWED BY 04 THRU 50, FOLLOWED  
 BY 140 OR 145, FOLLOWED BY NUMERIC DIGITS

SOLDERING:  
 REFLOW PROCESS ONLY

DIMENSION:  
 B = 0.50 x NB PINS + 6.50  
 C = 0.50 x (NB PINS - 1)  
 D = 0.50 x (NB PINS + 1) + 0.10  
 E = 0.50 x (NB PINS + 1)



RoHS Compliant		*NOTE: theoretical value related to the Tin plating; however, due to the sensitive actuator, we recommend not to make more than 1 or 2 cycles in order to maintain acceptable mechanical & electrical conditions				
G	23-JAN-13	UNIT µ => µ"	QL	PROJECTION: 	GENERAL TOLERANCE .X = +/- 0.2 .XX = +/- 0.15	 WÜRTH ELEKTRONIK
F	18-SEP-12	MC NOTE	GG			
E	05-APR-12	LAYOUT	GG			
D	29-APR-11	COPLANARITY	GG			
C	01-FEB-11	NEW PACKAGING	JC	APPROVAL: RJ	UNIT: MM	DESCRIPTION: 0.5MM ZIF FPC HORIZONTAL TOP CONTACT TYPE - TAPE & REEL PACKAGING WERI PART NO: 6871 xx 14022
B	21-APR-10	PACKAGING	JP		SCALE:	
A	26-OCT-09	STANDARD	JP		SHEET: 1/3	
REV	DATE	FILE	BY		DRAW: PEARL	
						SIZE <b>A4</b>



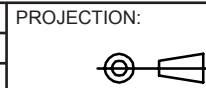
According to EIA Standard

Nb PIN	W 1	W 2	W 3	PH
31 to 50	20.2	40.4	44	12
21 to 31	14.2	28.4	32	12
17 to 20	11.5	24	NA	8
07 to 16	11.5	24	NA	12
04 to 06	7.5	16	NA	12

2000PCS/REEL

NOTE:  
 1.10 sprocket hole pitch cumulative tolerance±0.20  
 2.Carrier camber is within 1 mm in 100mm  
 3.CARTON SIZE : 342\*342\*220MM

RoHS Compliant			
G			
F			
E			
D	□		
C			
B			
A			
REV	DATE	FILE	BY



GENERAL TOLERANCE  
 .X = +/- 0.2  
 .XX = +/- 0.15



APPROVAL: RJ

UNIT: MM  
 SCALE:  
 SHEET: 2/3  
 DRAW: PEARL

DESCRIPTION: 0.5MM ZIF FPC HORIZONTAL TOP CONTACT TYPE - TAPE & REEL PACKAGING  
 WERI PART NO: 6871 xx 14022

SIZE  
**A4**

