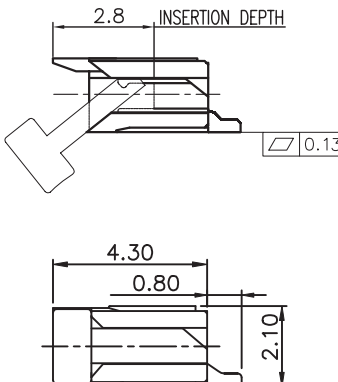
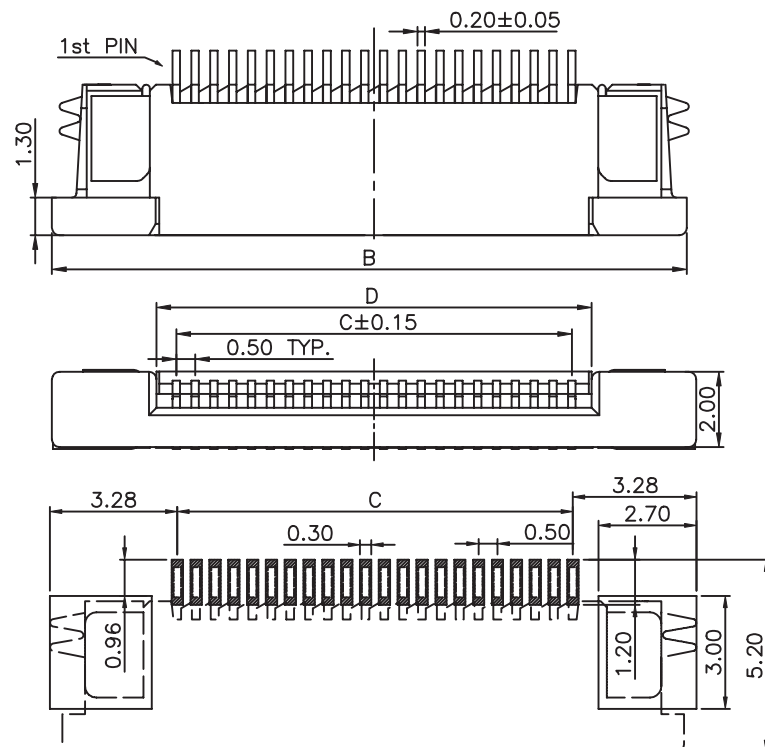


1 2 3 4 5



MATERIAL:  
 HOUSING MATERIAL: LCP  
 COLOR: IVORY  
 ACTUATOR MATERIAL: LCP  
 COLOR: BLACK  
 CONTACT MATERIAL: PHOSPOR BRONZE  
 CONTACT PLATING: 100µ TIN OVER 50µ NI  
 QUALITY CLASS: 25 MATING CYCLES

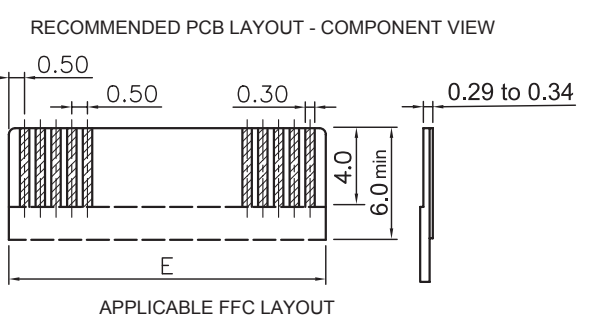
ENVIRONMENTAL:  
 OPERATING TEMPERATURE: -25°C UP TO 85°C  
 FLAMABILITY RATING: UL94-V0  
 COMPLIANCE: LEAD FREE AND ROHS

ELECTRICAL:  
 CURRENT RATING: 0.5A  
 WORKING VOLTAGE: 50V  
 INSULATION RESISTANCE: >100MOHM  
 DIELECTRIC WITHSTANDING VOLT.: 250VAC/MN  
 CONTACT RESISTANCE: 20mOHM MAX

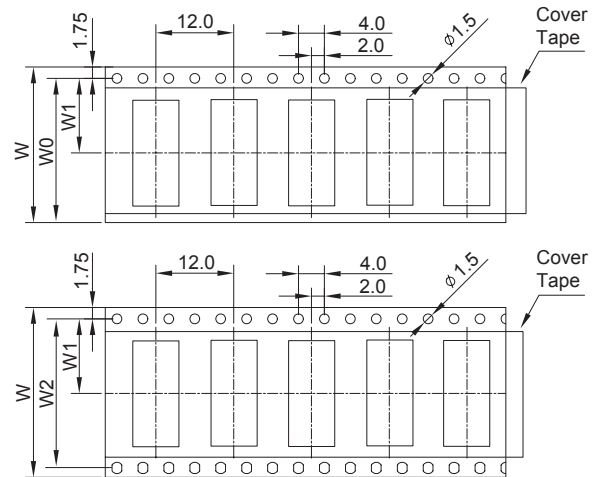
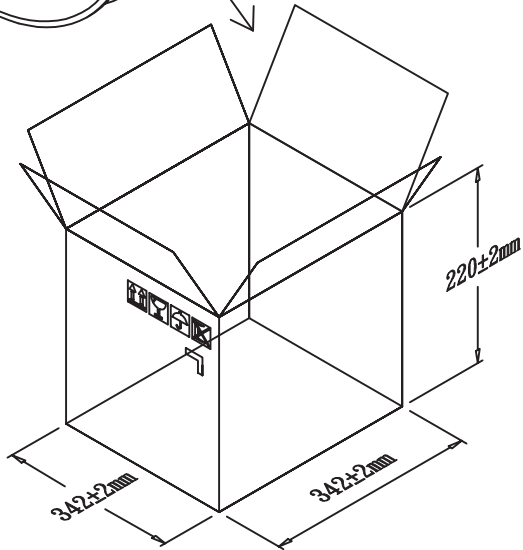
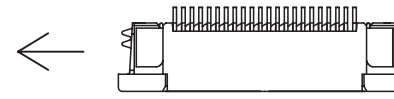
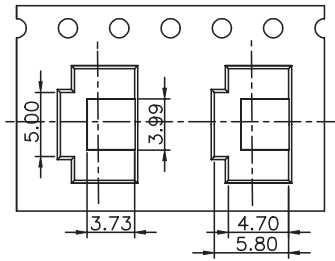
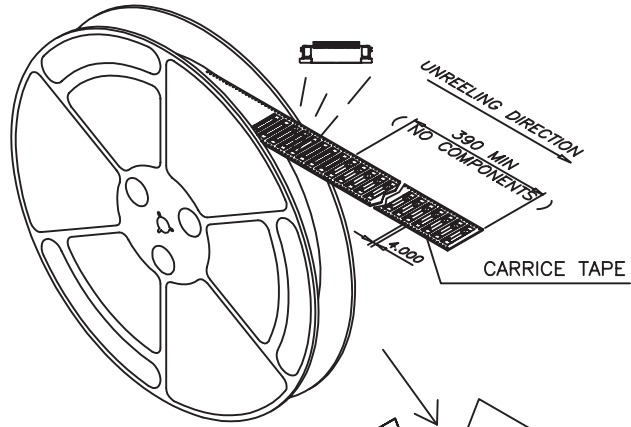
STANDARD  
 CERTIFIED: E323964 / MODEL NUMBER 687  
 FOLLOWED BY 1, FOLLOWED BY 04 THRU 50, FOLLOWED  
 BY 140 OR 145, FOLLOWED BY NUMERIC DIGITS

SOLDERING:  
 REFLOW PROCESS ONLY

DIMENSION:  
 B = 0.50 x NB PINS + 6.50  
 C = 0.50 x (NB PINS - 1)  
 D = 0.50 x (NB PINS + 1) + 0.10  
 E = 0.50 x (NB PINS + 1)



RoHS Compliant				PROJECTION: 	GENERAL TOLERANCE .X = +/- 0.2 .XX = +/- 0.15		DESCRIPTION: 0.5MM ZIF FPC HORIZONTAL TOP CONTACT TYPE - TAPE & REEL PACKAGING WERI PART NO: 6871 xx 14022	SIZE <b>A4</b>
G								
F								
E	05-APR-12	LAYOUT	GG					
D	29-APR-11	COPLANARITY	GG					
C	01-FEB-11	NEW PACKAGING	JC					
B	21-APR-10	PACKAGING	JP					
A	26-OCT-09	STANDARD	JP					
REV	DATE	FILE	BY	APPROVAL: RJ	UNIT: MM			
					SCALE:			
					SHEET: 1/3			
					DRAW: PEARL			



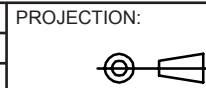
According to EIA Standard

Nb PIN	W 1	W 2	W 3	PH
31 to 50	20.2	40.4	44	12
21 to 31	14.2	28.4	32	12
17 to 20	11.5	24	NA	8
07 to 16	11.5	24	NA	12
04 to 06	7.5	16	NA	12

2000PCS/REEL

NOTE:  
 1.10 sprocket hole pitch cumulative tolerance±0.20  
 2.Carrier camber is within 1 mm in 100mm  
 3.CARTON SIZE : 342\*342\*220MM

RoHS Compliant			
G			
F			
E			
D	□		
C			
B			
A			
REV	DATE	FILE	BY



GENERAL TOLERANCE  
 .X = +/- 0.2  
 .XX = +/- 0.15

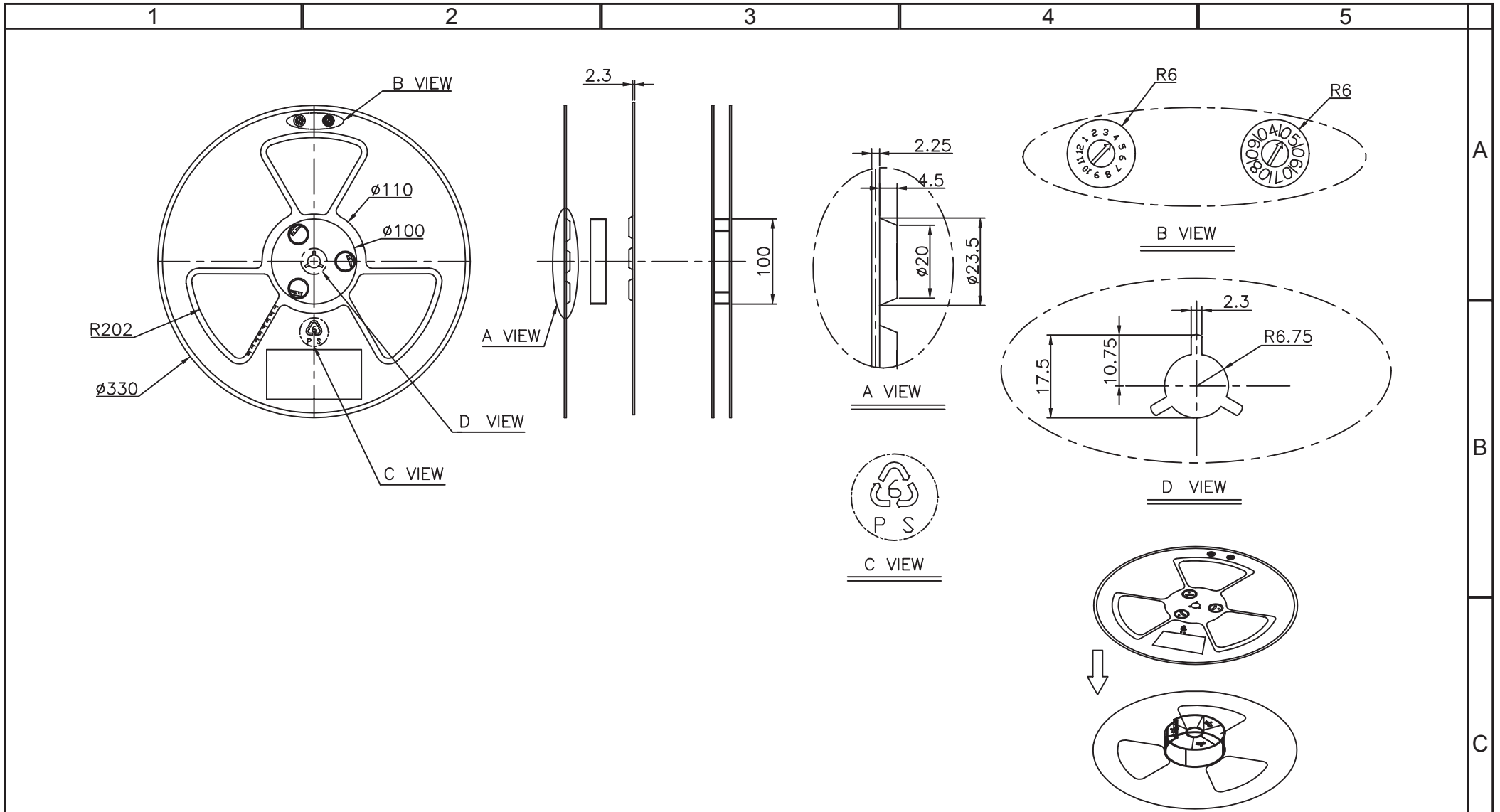


APPROVAL: RJ

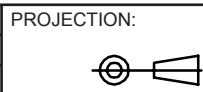
UNIT: MM  
 SCALE:  
 SHEET: 2/3  
 DRAW: PEARL

DESCRIPTION: 0.5MM ZIF FPC HORIZONTAL TOP CONTACT TYPE - TAPE & REEL PACKAGING  
 WERI PART NO: 6871 xx 14022

SIZE  
**A4**



RoHS Compliant			
G			
F			
E			
D	□		
C			
B			
A			
REV	DATE	FILE	BY



GENERAL TOLERANCE  
.X =  $\pm 0.2$   
.XX =  $\pm 0.15$



APPROVAL: RJ

UNIT: MM  
SCALE:  
SHEET: 3/3  
DRAW: PEARL

DESCRIPTION: 0.5MM ZIF FPC HORIZONTAL TOP CONTACT TYPE - TAPE & REEL PACKAGING  
WERI PART NO: 6871 xx 14022

SIZE  
**A4**