

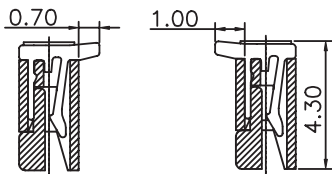
1

2

3

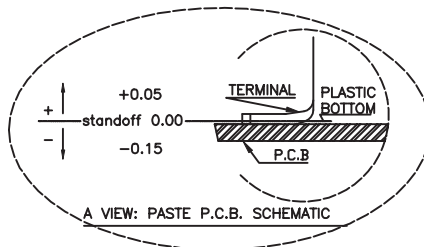
4

5



SECTION B-B

SECTION A-A




A VIEW: PASTE P.C.B. SCHEMATIC

MATERIAL:
 HOUSING MATERIAL: LCP
 COLOR: IVORY
 ACTUATOR MATERIAL: LCP
 COLOR: BLACK
 CONTACT MATERIAL: PHOSPOR BRONZE
 CONTACT PLATING: 100μ TIN OVER 50μ NI
 QUALITY CLASS: 25 MATING CYCLES

ENVIRONNEMENTAL:
 OPERATING TEMPERATURE: -25°C UP TO 85°C
 FLAMABILITY RATING: UL94-V0
 COMPLIANCE: LEAD FREE AND ROHS

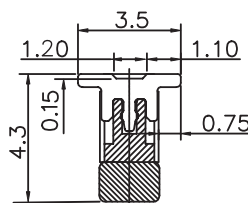
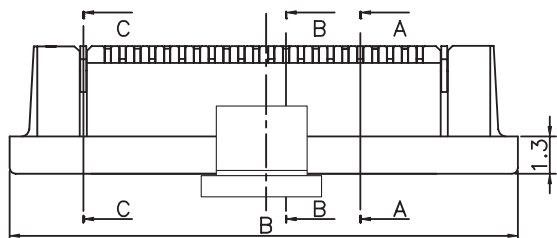
ELECTRICAL:
 CURRENT RATING: 0.5A
 WORKING VOLTAGE: 50V
 INSULATION RESISTANCE: >100MOHM
 DIELECTRIC WITHSTANDING VOLT.: 250VAC/MN
 CONTACT RESISTANCE: 20mOHM MAX

STANDARD
 CERTIFIED: E323964 / MODEL NUMBER 687
 FOLLOWED BY 1, FOLLOWED BY 04 THRU 50, FOLLOWED
 BY 140 OR 145, FOLLOWED BY NUMERIC DIGITS

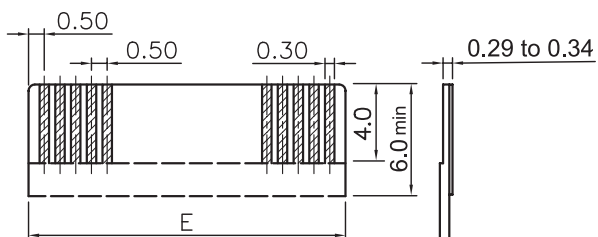
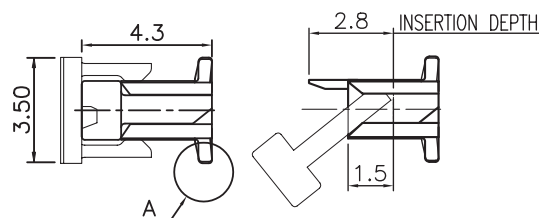
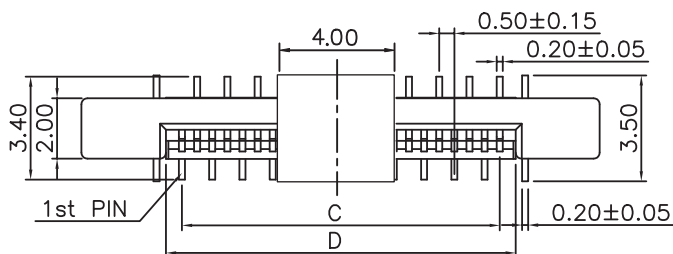
SOLDERING:
 REFLOW PROCESS ONLY

PACKAGING
 TAPE & REEL WITH CAP

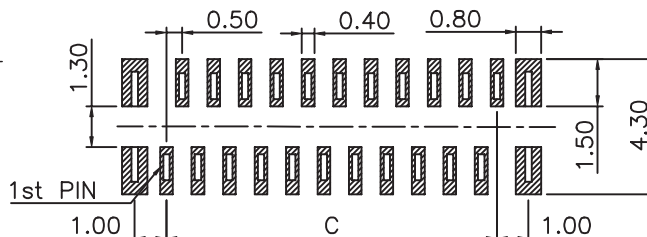
DIMENSION:
 B = (0.50 x NB PINS) + 6.40
 C = 0.50 x (NB PINS - 1)
 D = 0.50 x (NB PINS + 1) + 0.10
 E = D - 0.10



SECTION C-C



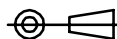
APPLICABLE FFC LAYOUT



TYPE A RECOMMENDED PCB LAYOUT - COMPONENT VIEW

RoHS Compliant

PROJECTION:



GENERAL TOLERANCE

.X = +/- 0.2

.XX = +/- 0.15



APPROVAL: RJ

UNIT: MM

SCALE:

SHEET: 1/3

DRAW: PEARL

DESCRIPTION: 0.5MM ZIF FPC VERTICAL CONTACT A TYPE -
 TAPE & REEL PACKAGING WITH CAP

WERI PART NO: 6873 xx 124422

SIZE

A4

G			
F	01-FEB-11	NEW PACKAGING	JC
E	12-MAR-10	PACKAGING TABLE	JP
D	26-OCT-09	STANDARD	JP
C	03-AUG-09	THICKNESS FFC	JP
B	03-AUG-09	CURRENT RATING	JP
A	20-FEB-09	PDF	JP
REV	DATE	FILE	BY

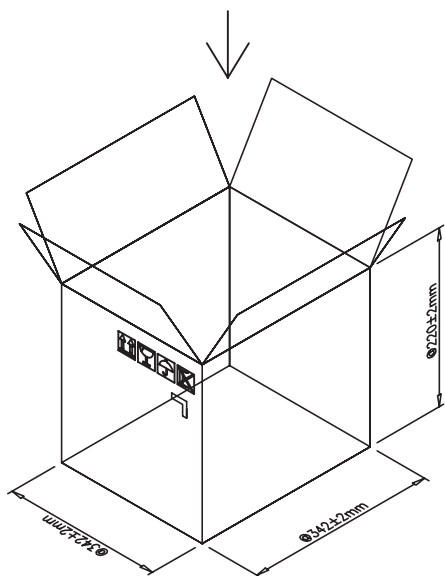
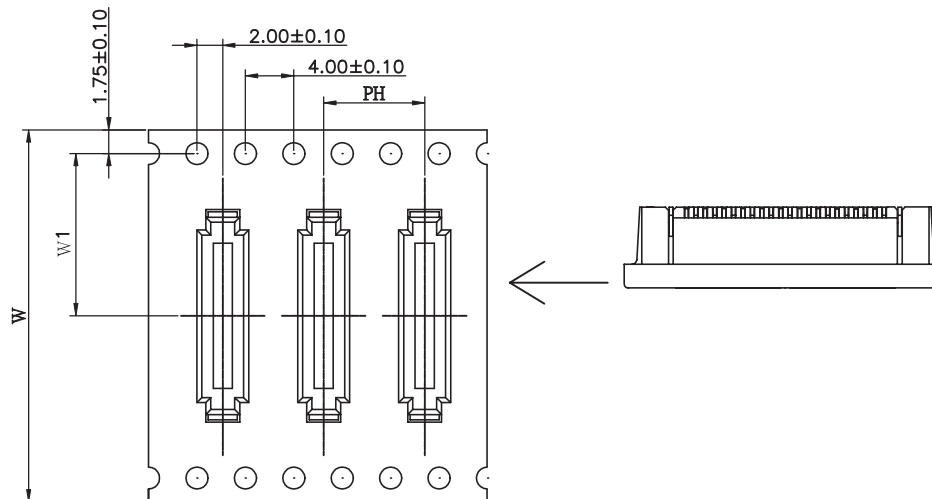
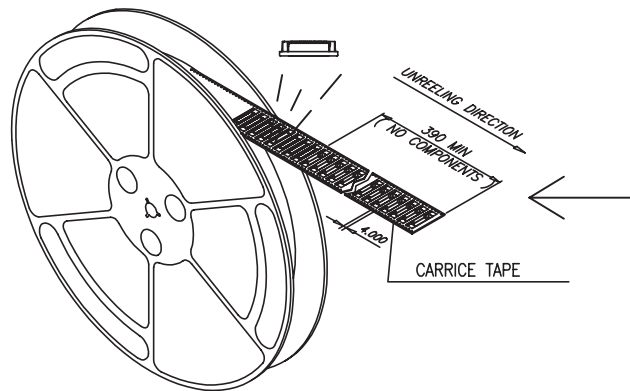
1

2

3

4

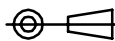
5



NOTE:
 1.10 sprocket hole pitch cumulative tolerance±0.2
 2.Carrier camber is within 1 mm in 100mm
 3.CARTON SIZE : 342*342*220MM

RoHS Compliant			
G			
F			
E			
D			
C			
B			
A			
REV	DATE	FILE	BY

PROJECTION:



APPROVAL: RJ

GENERAL TOLERANCE

.X = +/- 0.2
 .XX = +/- 0.15

UNIT: MM

SCALE:

SHEET: 2/3

DRAW: PEARL



DESCRIPTION: 0.5MM ZIF FPC VERTICAL CONTACT A TYPE -
 TAPE & REEL PACKAGING WITH CAP

WERI PART NO: 6873 xx 124422

SIZE

A4

A

B

C

D

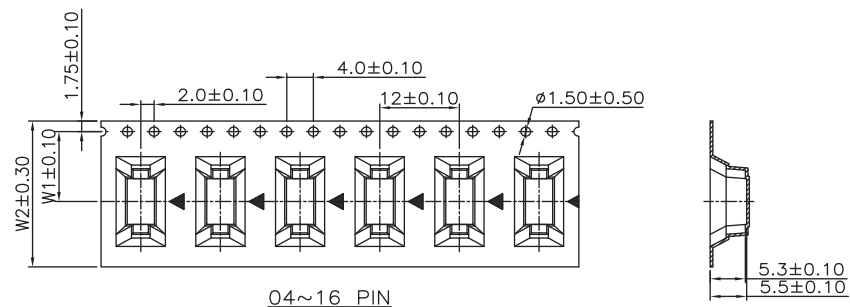
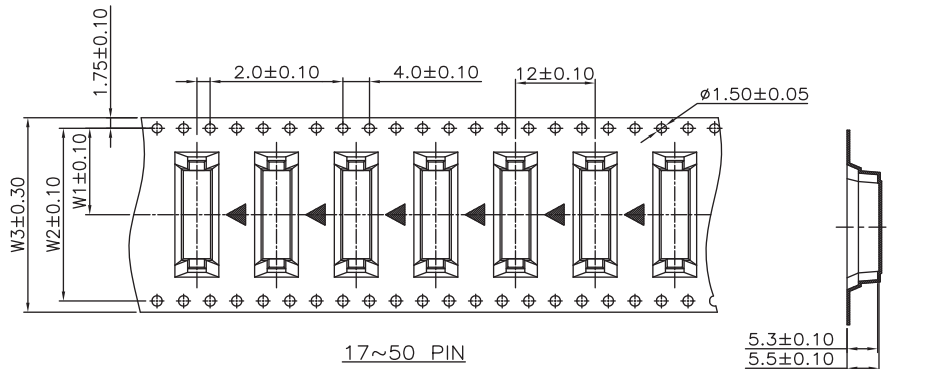
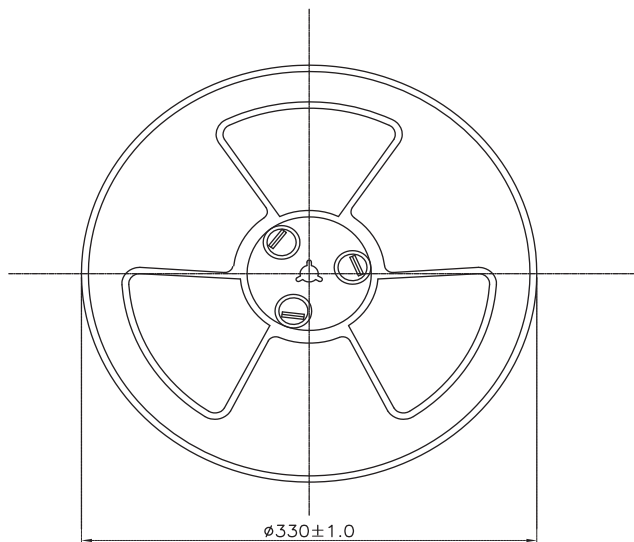
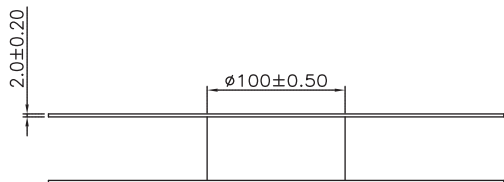
1

2

3

4

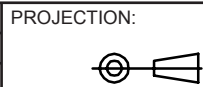
5



Nb PIN	W 1	W 2	W 3	PH
25 to 50	20.2	40.4	44	12
17 to 24	14.2	28.4	32	12
04 to 16	11.5	24	NA	12

1000PCS/REEL

RoHS Compliant			
G			
F			
E			
D			
C			
B			
A			
REV	DATE	FILE	BY



GENERAL TOLERANCE
 .X = +/- 0.2
 .XX = +/- 0.15



APPROVAL: RJ

UNIT: MM
 SCALE:
 SHEET: 3/3
 DRAW: PEARL

DESCRIPTION: 0.5MM ZIF FPC VERTICAL CONTACT A TYPE - TAPE & REEL PACKAGING WITH CAP
 WERI PART NO: 6873 xx 124422

SIZE
A4

A

B

C

D