

PCB LAYOUT - COMPONENT VIEW

MATERIAL:
 HOUSING MATERIAL: PBT
 COLOR: RED
 CONTACT MATERIAL: PHOSPHOR BRONZE
 CONTACT TYPE: STAMPED
 CONTACT PLATING: MATT TIN OVER NICKEL
 QUALITY CLASS: 25 MATING CYCLES
 PITCH: 2.54 MM PER ROW

ENVIRONMENTAL:
 OPERATING TEMPERATURE: -40°C UP TO 105°C
 FLAMABILITY RATING: UL94-V0
 COMPLIANCE: LEAD FREE AND ROHS

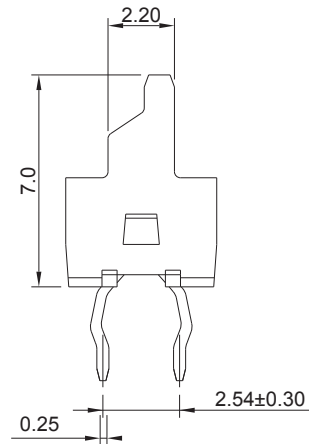
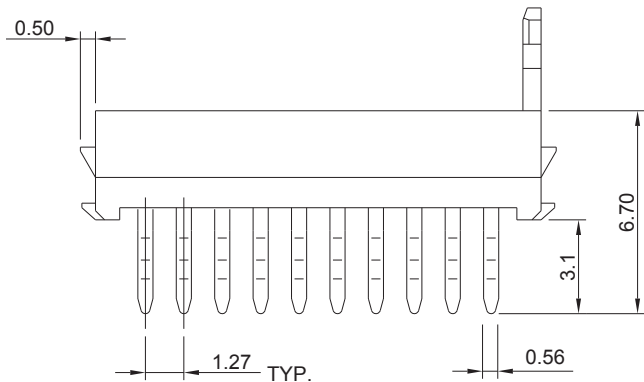
ELECTRICAL:
 CURRENT RATING: 1.5 A PER PIN (PCB PIN)
 WORKING VOLTAGE: 100VAC
 INSULATION RESISTANCE: >1000MOHM
 DIELECTRIC WITHSTANDING VOLT.: 500VAC/MN
 CONTACT RESISTANCE: 10mOHM MAX

SOLDERING:
 WAVE PROCESS ONLY

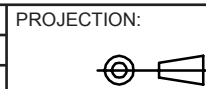
DIMENSION:
 DIM.A= 1.27 x No. of Spaces
 DIM.B= DIM.A + 3.3
 DIM.C= DIM.A + 2.1

AVAILABLE
 xx : 4 TO 26 CIRCUITS

PACKAGING:
 x = 2 TUBE
 x = 7 TAPE & REEL



RoHS Compliant			
G			
F			
E			
D			
C			
B	27-NOV-07	MODIFICATIONS	EC
A	03-NOV-06	PDF	JP
REV	DATE	FILE	BY



GENERAL TOLERANCE
 .X = +/- 0.2
 .XX = +/- 0.15



APPROVAL: RJ

UNIT: MM
 SCALE:
 SHEET: 1/1
 DRAW: EAGER

DESCRIPTION: MM MALE CONNECTOR WITHOUT LATCH AND POLARIZATION
 WERI PART NO: 69035710 xx 7 x

SIZE
A4