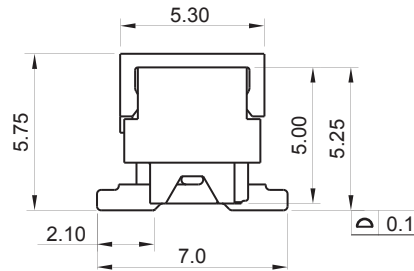
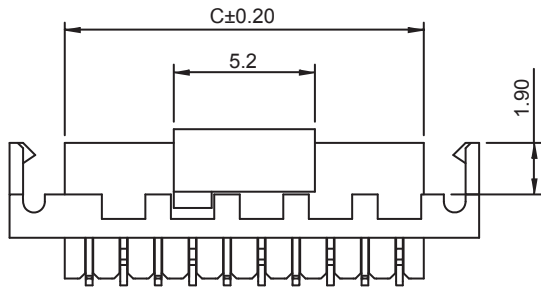


PCB LAYOUT - COMPONENT VIEW



MATERIAL:
 HOUSING MATERIAL: PA6T
 FLAMABILITY RATING: UL94-V0
 COLOR: RED
 CONTACT MATERIAL: PHOSPHOR BRONZE
 CONTACT TYPE: STAMPED
 CONTACT PLATING: MATT TIN OVER NICKEL
 QUALITY CLASS: 25 MATING CYCLES
 PITCH: 2.54 MM PER ROW

ENVIRONMENTAL:
 OPERATING TEMPERATURE: -40°C UP TO 105°C
 COMPLIANCE: LEAD FREE AND ROHS

ELECTRICAL:
 CURRENT RATING: 1.5A PER PIN (PCB PIN)
 WORKING VOLTAGE: 100VAC
 INSULATION RESISTANCE: >1000MOHM
 DIELECTRIC WITHSTANDING VOLT.: 500VAC/MN
 CONTACT RESISTANCE: 10mOHM MAX

STANDARD
 CERTIFIED: E323964

SOLDERING:
 REFLOW PROCESS ONLY

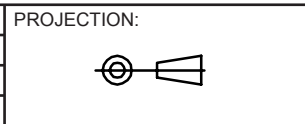
DIMENSION:
 DIM.A= 1.27 x (Nb PIN -1)
 DIM.B= DIM.A + 5.87
 DIM.C= DIM.A + 1.80

AVAILABLE
 xx : 4 TO 26 CIRCUITS

PACKAGING:
 TAPE & REEL

RoHS Compliant

G			
F	05-NOV-14	PIN 1 ADDED	QL
E	17-FEB-10	NEW CAP	JP
D	17-NOV-09	DIMENSION	JP
C	10-AUG-09	LATCH SHAPE	CH
B	27-NOV-07	MODIFICATIONS	EC
A	03-NOV-06	PDF	JP
REV	DATE	FILE	BY



GENERAL TOLERANCE
 .X = +/- 0.2
 .XX = +/- 0.15

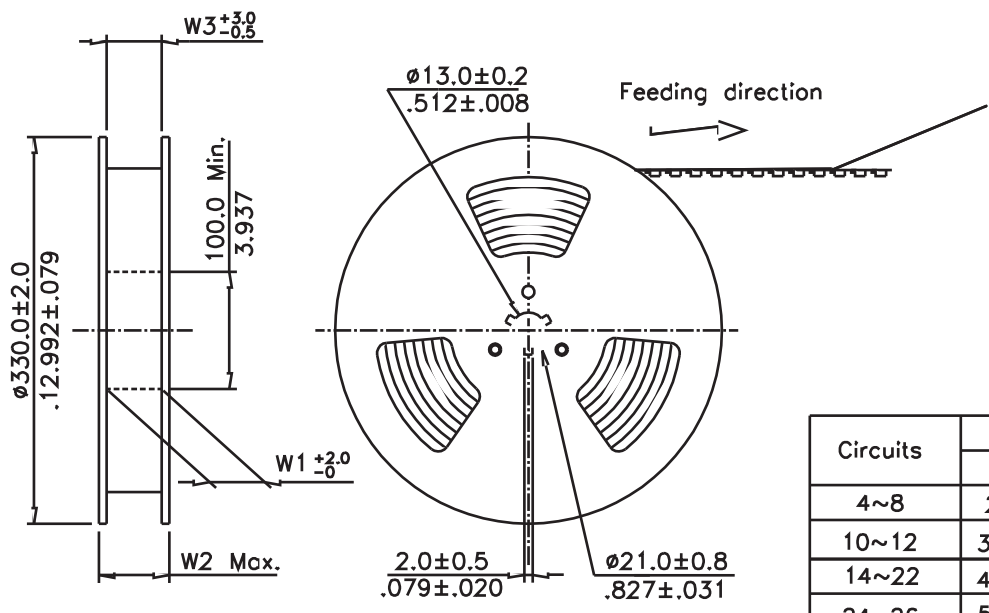


APPROVAL: GMo

UNIT: MM
 SCALE:
 SHEET: 1/2
 DRAW: EAGER

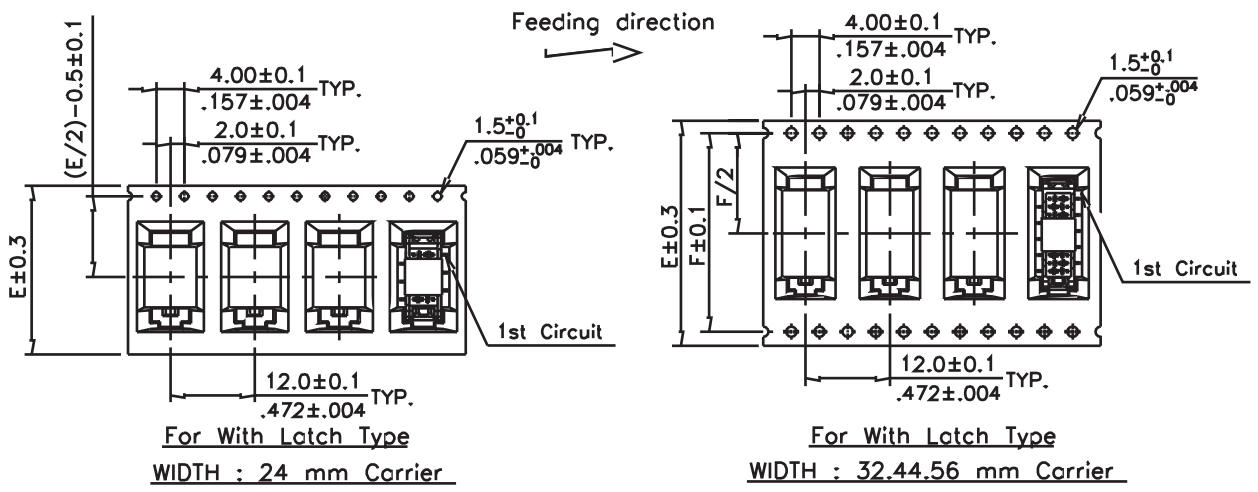
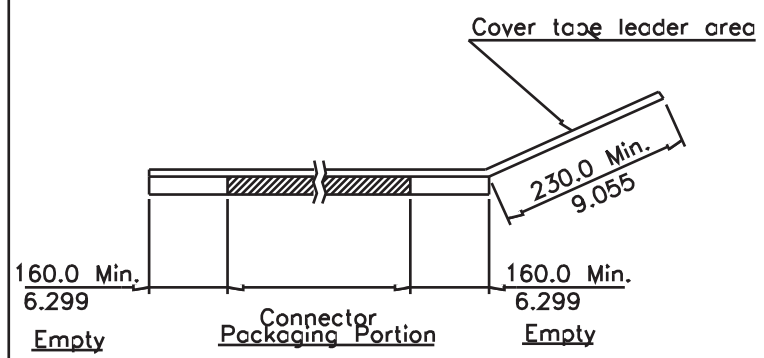
DESCRIPTION: MM FEMALE SMT CONNECTOR WITH LATCH AND POLARIZATION
 WERI PART NO: 69036729 xx 76

SIZE
A4



- NOTES:
1. 10 sprocket hole pitch cumulative tolerance ± 0.20 mm.
 2. Carrier camber not to exceed 1 mm in 100 mm.
 3. Material :Transparent Anti-static Polysyrene.
 4. All dimensions meet EIA-481-3 requirements.
 5. Thickness : 0.40 ± 0.05 mm.
 6. Packing length per 22" Reel : 30.6 Meters.
 7. Component load per 13" Reel : 800 pcs.

Circuits	Dimension					Packing (Reel/Caton)
	E	F	W1	W2	W3	
4~8	24.0(.945)	-	24.5(.965)	30.5(1.201)	24.5(.965)	9
10~12	32.0(1.260)	28.40(1.118)	32.5(1.280)	38.5(1.516)	32.5(1.280)	7
14~22	44.0(1.732)	40.40(1.596)	44.5(1.752)	50.5(1.988)	44.5(1.752)	5
24~26	56.0(2.205)	52.40(2.063)	56.5(2.224)	62.5(2.461)	56.5(2.224)	4



RoHS Compliant			
G			
F			
E			
D			
C			
B			
A			
REV	DATE	FILE	BY

PROJECTION:

GENERAL TOLERANCE
 $.X = +/_ 0.2$
 $.XX = +/_ 0.15$

APPROVAL: RJ

UNIT: MM
 SCALE:
 SHEET: 2/2
 DRAW: EAGER

DESCRIPTION: MM FEMALE SMT CONNECTOR WITH LATCH AND POLARIZATION
 WERI PART NO: 69036729 xx 76

SIZE
A4