

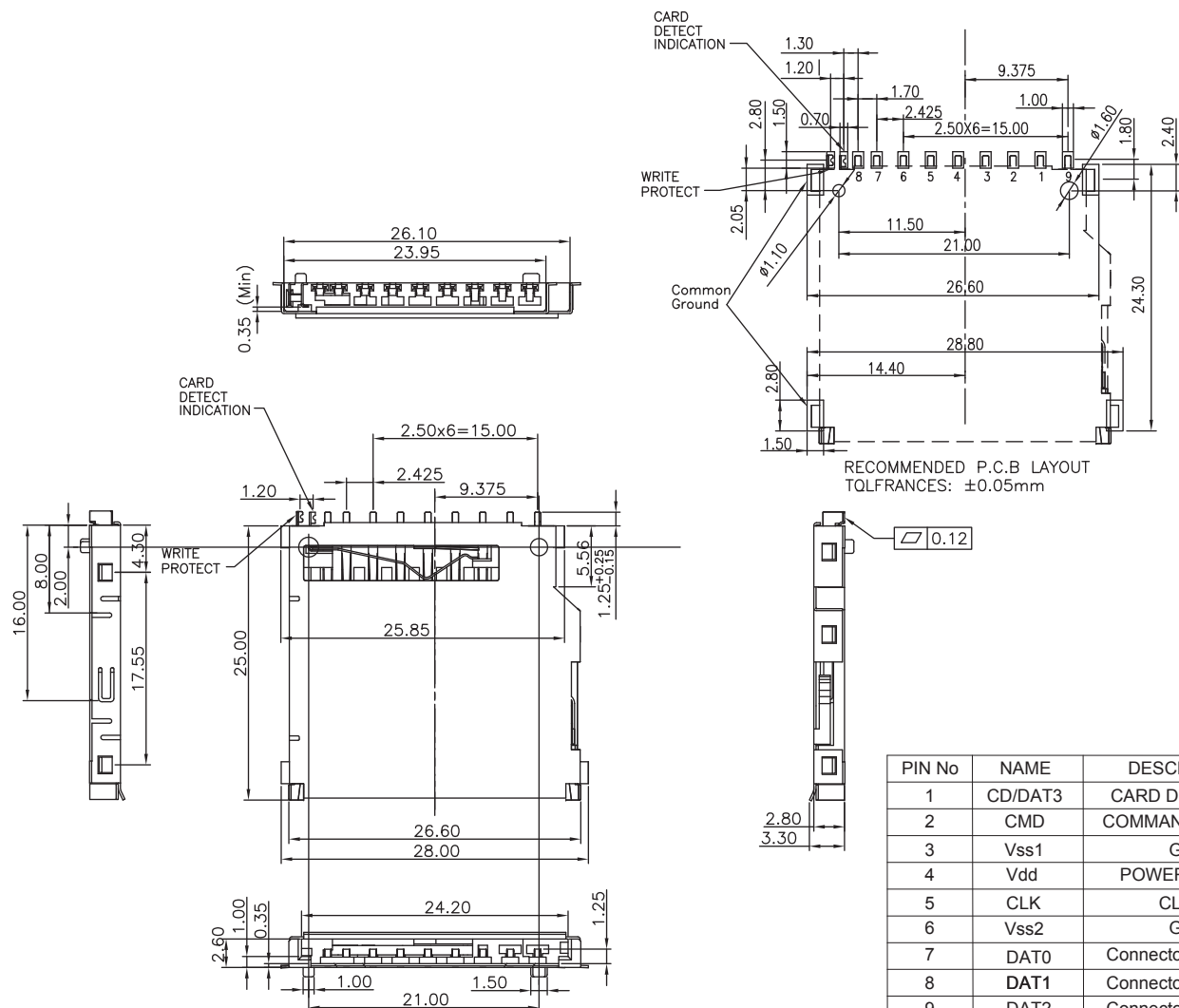
1

2

3

4

5



#### TECHNICAL CHARACTERISTICS

**MATERIAL**  
 INSULATOR: LCP  
 FLAMABILITY RATING: UL94-V0  
 COLOR: BLACK  
 CONTACT MATERIAL: COPPER ALLOY  
 CONTACT TYPE: STAMPED  
 CONTACT PLATING: SELECTIVE GOLD  
 SHIELDING: COPPER ALLOY  
 SHIELDING PLATING: NICKEL  
 QUALITY CLASS: 10000 MATING CYCLES

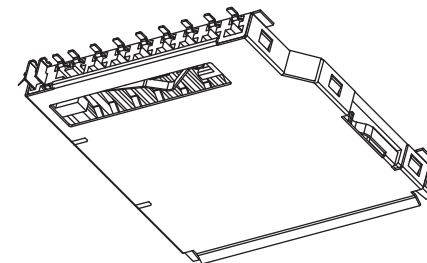
**ENVIRONMENTAL**  
 OPERATING TEMPERATURE: -25 UP TO 85°C  
 COMPLIANCE: LEAD FREE AND ROHS

**ELECTRICAL**  
 CURRENT RATING: 0.5A  
 WORKING VOLTAGE: 100VAC  
 INSULATOR RESISTANCE: >1000 MOHM  
 DIELECTRIC WITHSTANDING VOLTAGE: 500VAC/MN  
 CONTACT RESISTANCE: 100 mOHM MAX

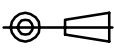

**SOLDERING**  
 REFLOW PROCESS ONLY

**PACKAGING**  
 TAPE & REEL

PIN No	NAME	DESCRIPTION
1	CD/DAT3	CARD DETECTION
2	CMD	COMMAND/ANSWER
3	Vss1	GND
4	Vdd	POWER SUPPLY
5	CLK	CLOCK
6	Vss2	GND
7	DAT0	Connector data line 0
8	DAT1	Connector data line 1
9	DAT2	Connector data line 2



RoHS Compliant

G	23-JAN-13	LAYOUT DIM ADD	QL	PROJECTION: 	GENERAL TOLERANCE .X = +/- 0.2 .XX = +/- 0.15	
F	16-MAY-12	LAYOUT	GG			
E	27-MAR-12	PINNING	QL			
D	07-MAR-12	PAGE 2 SWITCH	GG			
C	22-FEB-12	PAGE 2	GG	APPROVAL: RJ	UNIT: MM	DESCRIPTION: SD Card Connector - Push & Pull - With Card Detection 9 pins
B	16-FEB-12	TKP	GG		SCALE:	
A	11-AUG-31	PDF	GG		SHEET: 1/3	WERI PART NO: 693 063 010 911
REV	DATE	FILE	BY		DRAW: VICKY	

SIZE

A4

A

B

C

D



