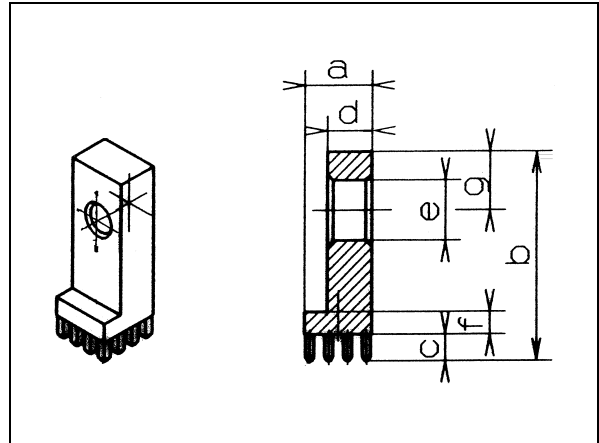
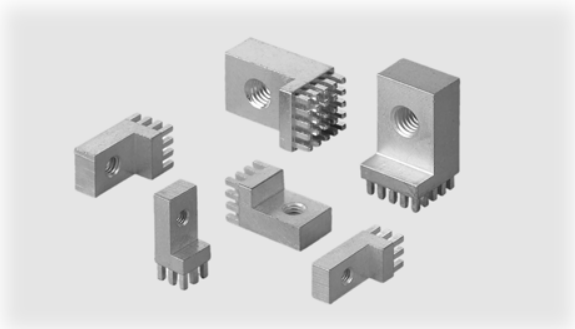




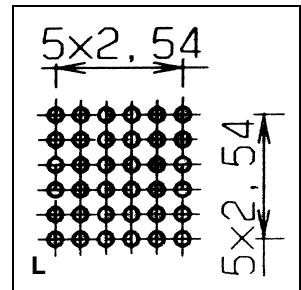
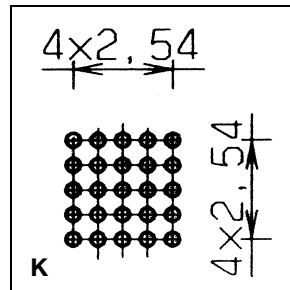
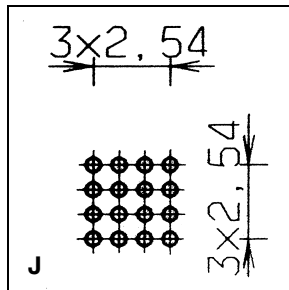
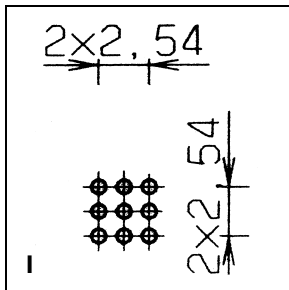
## Power Elements 90° with full plain Pin-Plate

- Not suitable for soldering.
- Available with hole or threads

2



### Illustration of hole



Power Elements									
Order Code	Four corners a (mm)	b (mm)	c (mm)	d (mm)	e	f	g	Pins	Format Type
7461066	7	17.5	3.5	4	M 3	3	5	9	I
7461110	7	17.5	3.5	4	Ø 3.2	3	5	9	I
7461111	9	17.5	3.5	5	M 4	3	5	16	J
7461067	9	17.5	3.5	5	Ø 4.2	3	5	16	J
7461112	9	17.5	3.5	5	M 5	3	5	16	J
7461113	9	17.5	3.5	5	Ø 5.2	3	5	16	J
7461114	13	23.5	3.5	8	M 6	3	8	25	K
7461115	13	23.5	3.5	8	Ø 6.2	3	8	25	K
7461068	13	23.5	3.5	8	M 8	3	8	25	K
7461116	13	23.5	3.5	8	Ø 8.2	3	8	25	K
7461117	16	28.5	3.5	10	M 10	3	10	36	L
7461069	16	28.5	3.5	10	Ø 10.2	3	10	36	L