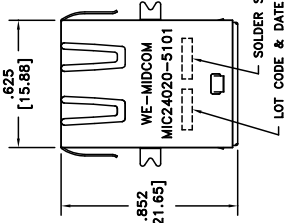
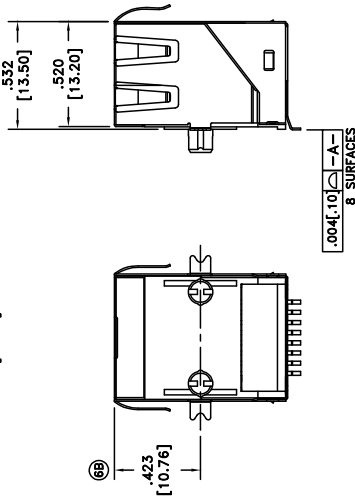
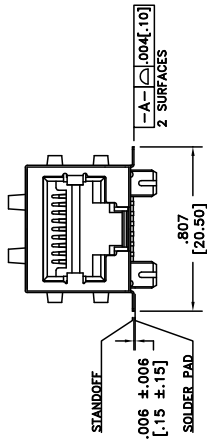
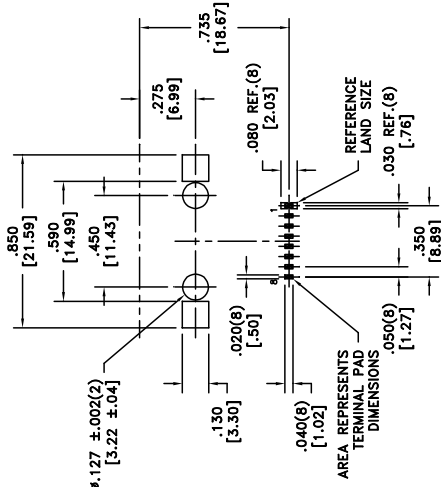
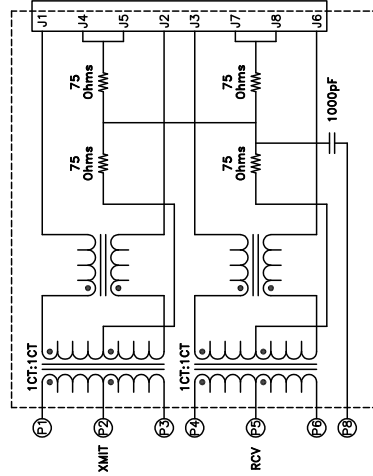


SOLDER SUFFIX	CUSTOMER TERMINAL	ReHS	LEAD(Pb)-FREE
Lf3	Sn100%	Yes	No



.004[.10] -A-
8 SURFACES



CUSTOMER TO DETERMINE LAND LAYOUT

ELECTRICAL SPECIFICATIONS @ 25°C unless otherwise noted:

INDUCTANCE: 350uH min., 100kHz, 100mV, 8mADC, J1-J2; J3-J6, Ip.

DIELECTRIC RATING: 1500Vrms for 1 minute between P1-J1(tie P1+P4).

URNS RATIO/POLARITY: (P1-P3):(J1-J2) = 1:1, ±2%.
(P4-P6):(J3-J6) = 1:1, ±2%.

INSERTION LOSS: -1.0dB max., 1MHz - 100MHz.

RETURN LOSS: -18dB min., 1M - 30MHz.
-16dB min., 30M - 45MHz.
-14dB min., 45M - 60MHz.
-12dB min., 60M - 80MHz.

CROSSTALK: -35dB min., 1MHz - 100MHz.

COMMON MODE REJECTION: -35dB min., 1MHz - 100MHz.

OPERATING TEMPERATURE RANGE: 0°C to +70°C.

Midcom, Inc. Watertown, SD USA Toll Free: 800-643-2661 Fax: 605-886-4486	DRAWING TITLE TRANSFORMER 10/100mbs		DRAWING NO. MIC24020-5101W-LF	REV. 12/08
	Unless otherwise specified: Tolerances: Fractions: ±1/64 Angles: ±1° This drawing is dual dimensioned. Dimensions in brackets are in millimeters.		REVISIONS: SEE SHEET 1	SCALE --- SHEET 2 OF 6