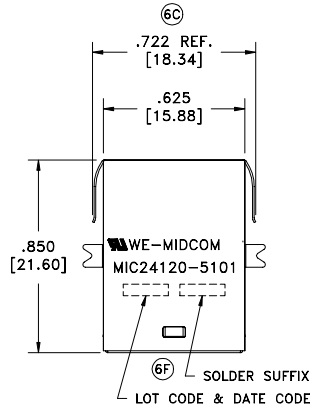
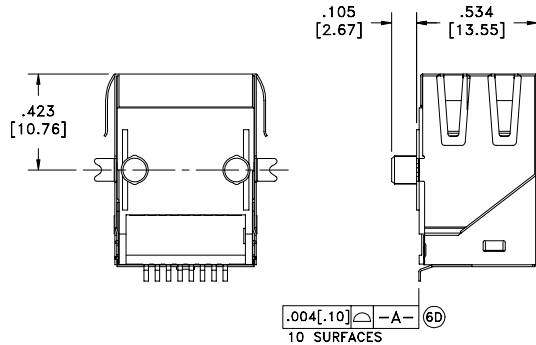
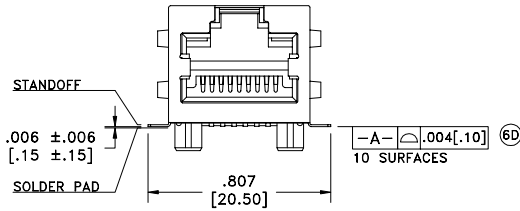


SOLDER SUFFIX	CUSTOMER TERMINAL	RoHS	LEAD(Pb)-FREE
LF3	Sn100%	Yes	Yes



ELECTRICAL SPECIFICATIONS @ 25°C unless otherwise noted:

INDUCTANCE: 350uH min., 100kHz, 100mV, 8mADC, J1-J2; J3-J6, Lp.

DIELECTRIC RATING: 1500Vrms for 1 minute between P1-J1(tie P1+P4).

URNS RATIO/POLARITY: (P1-P3):(J1-J2) = 1:1, ±2%.
(P4-P6):(J3-J6) = 1:1, ±2%.

INSERTION LOSS: -1.0dB max., 1MHz - 100MHz.

RETURN LOSS: -18dB min., 1M - 30MHz.
-16dB min., 30M - 45MHz.
-14dB min., 45M - 60MHz.
-12dB min., 60M - 80MHz.

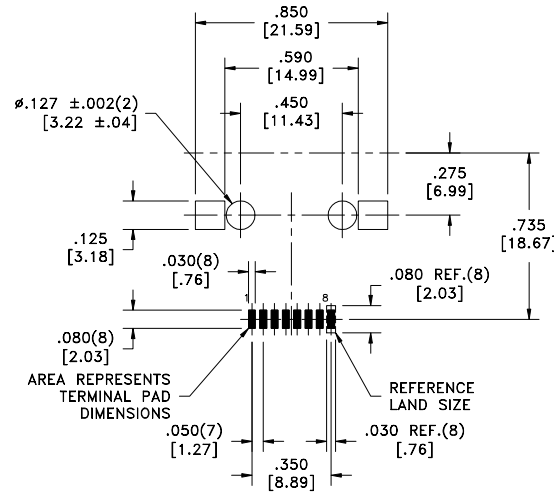
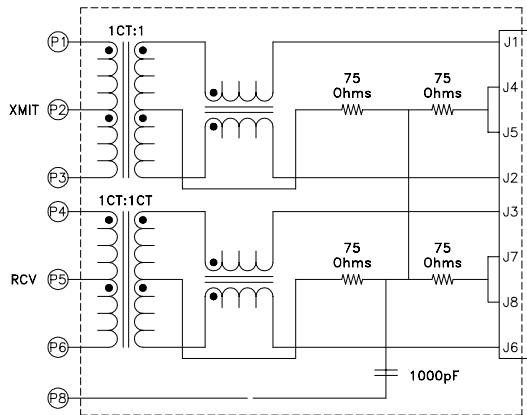
CROSSTALK: -35dB min., 1MHz - 100MHz.

COMMON MODE REJECTION: -35dB min., 1MHz - 100MHz.

OPERATING TEMPERATURE RANGE: 0°C to +70°C.

Midcom p/n MIC24120-5101R-LF3 is eiSos p/n: 7498011002R.

Midcom p/n MIC24120-5101W-LF3 is eiSos p/n: 7498011002.



CUSTOMER TO DETERMINE LAND LAYOUT

REV.	DATE
6F	6/07

Packaging Specifications
Method: Tape & Reel or Tray
PKG-0563 or PKG-0547
www.midcom-inc.com

Unless otherwise specified:
Tolerances: Fractions: ±1/64 (6D)
Angles: ±1° Decimals: ±.010 [1.25]
This drawing is dual dimensioned. Dimensions in brackets are in millimeters.

DRAWING TITLE
TRANSFORMER
10/100Mbs

eiSos p/n:



REVISIONS: SEE SHEET 1

PACKAGING TABLE			
X	PACKAGE	(6E)	
R	TAPE & REEL	AGENCY NUMBER	
W	TRAY	UL60950-1	E205930

DRAWING NO.
MIC24120-5101X-LF3

SCALE ---

SHEET 2 OF 7