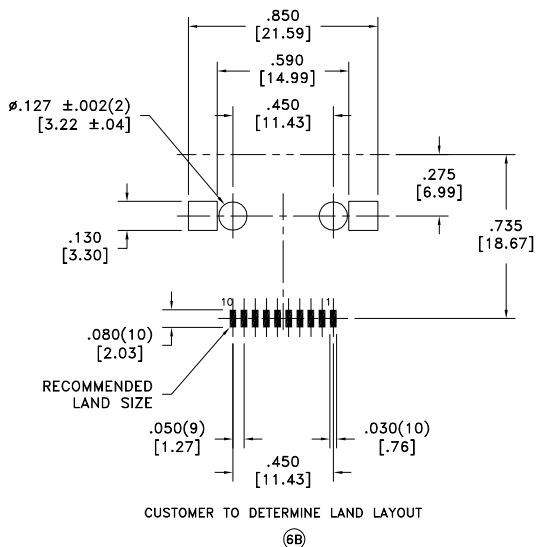
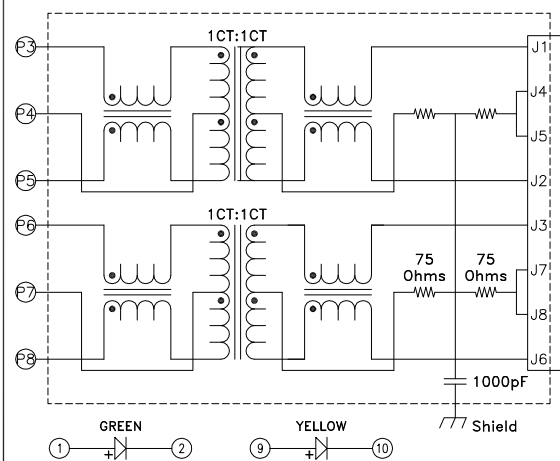
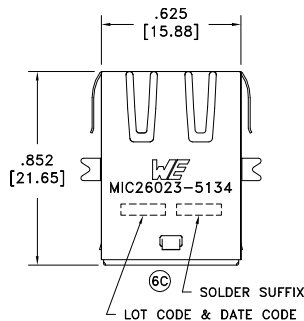
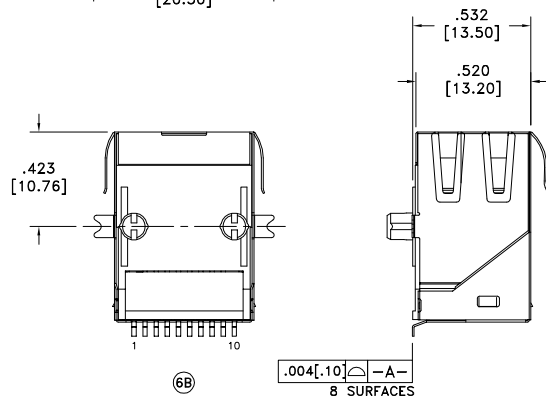
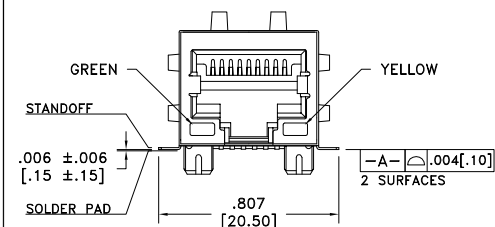


SOLDER SUFFIX	CUSTOMER TERMINAL	RoHS	LEAD(Pb)-FREE
LF3	Sn100%	Yes	No

more than you expect



**ELECTRICAL SPECIFICATIONS @ 25°C unless otherwise noted:**

INDUCTANCE: 350uH min., 100kHz, 100mV, 8mADC, J1-J2; J3-J6, Lp.

DIELECTRIC RATING: 1500Vrms for 1 minute between P3-J1(tie P5+P6).

TURNS RATIO/POLARITY: (P3-P5):(J1-J2) = 1:1, ±2%.  
(P6-P8):(J3-J6) = 1:1, ±2%.

INSERTION LOSS: -1.0dB max., 1MHz - 100MHz.

RETURN LOSS: -18dB min., 1M - 30MHz.  
-16dB min., 30M - 45MHz.  
-14dB min., 45M - 60MHz.  
-12dB min., 60M - 80MHz.

CROSSTALK: -35dB min., 1MHz - 100MHz.

COMMON MODE REJECTION: -35dB min., 1MHz - 100MHz.

OPERATING TEMPERATURE RANGE: 0°C to +70°C.

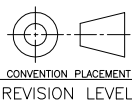
**⑥⑧ MATERIAL AND FINISH:**

Housing: Thermoplastic LCP, Black per UL94 V-0  
Shield: Brass with semi-bright nickel plating  
Contact: Phosphor Bronze, base material  
Contact Plating: 100% tin plating with nickel underplating, 30u" gold plating on contact area

LED (Yellow): Frwd Voltage typ.: 2.1V  
Drive Current: 20mA  
Wave Length: 589nm typ.  
LED (Green): Frwd Voltage typ.: 2.2V  
Drive Current: 20mA  
Wave Length: 565nm typ.

RJ45 Jack cavity conforms to FCC rules and regulations Part 68.

REV.	DATE	Packaging Specifications
6C	7/13	Method: Tray PKG-0547 www.we-online.com/midcom
6B	11/09	
6A	9/07	SEE REVISION SHEET FOR REVISION LEVEL



Tolerances unless otherwise specified:  
Angles: ±1°  
Fractions: ±1/64  
Decimals: ±.010 [.25]  
Footprint: ±.003 [.08]  
This drawing is dual dimensioned. Dimensions in brackets are in millimeters.

DRAWING TITLE	PART NO.
<b>TRANSFORMER</b> 10/100Mbs eiSos p/n: 7498011211	<b>MIC26023-5134W-LF3</b> SPECIFICATION SHEET 1 OF 1

