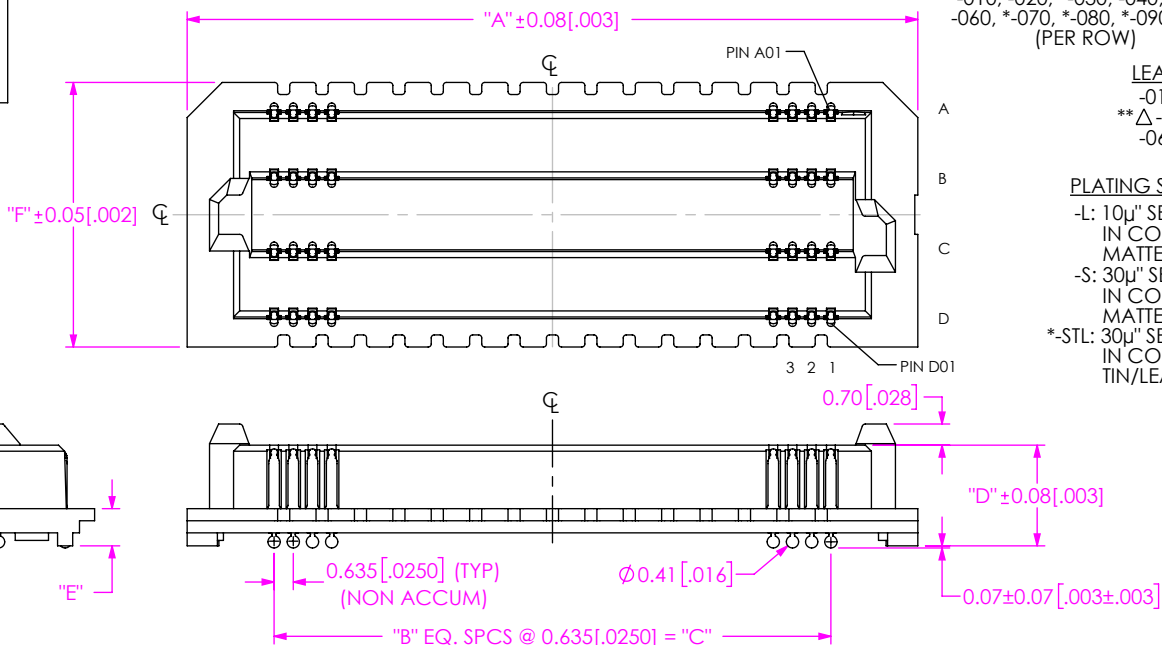


**DESIGNED AND DIMENSIONED IN MILLIMETERS[INCHES]
ALL DIMENSIONS REFERENCE EXCEPT AS SHOWN**

APM6-XXX-XX.X-XXX-XX-X-X-XR

DO NOT SCALE FROM THIS PRINT



No. OF POSITIONS
* -010, -020, *-030, -040, *-050, -060, *-070, *-080, *-090, -100 (PER ROW)

LEAD STYLE
-01.5: 1.5MM
** Δ -01.9: 1.9MM
-06.5: 6.5MM

PLATING SPECIFICATION
-L: 10μ" SELECTIVE GOLD IN CONTACT AREA, MATTE TIN ON TAIL
-S: 30μ" SELECTIVE GOLD IN CONTACT AREA, MATTE TIN ON TAIL
*STL: 30μ" SELECTIVE GOLD IN CONTACT AREA, TIN/LEAD ON TAIL.

TAPE & REEL (SEE NOTES 2 & 3)
-TR: TAPE & REEL
-FR: FULL REEL QTY TAPE & REEL

OPTION
BLANK: NO ALIGNMENT PIN
-A: ALIGNMENT PIN (SEE SHT 3, FIG 5)

TERMINATION
-0: COLUMN (SEE NOTE 7)
*-1: BALL (63.0% TIN/37.0% LEAD)
-2: BALL (95.5% TIN/3.8% SILVER/0.7% COPPER)

ROW
-04: 4 ROW
*-06: 6 ROW
** ⊠ -08: 8 ROW
*-10: 10 ROW
* □ -16: 16 ROW

(* = NOT TOOLED)
(** = NOT RELEASED)
□ = ONLY AVAILABLE IN -50 POS
⊠ = ONLY AVAILABLE IN -100 POS WITH -01.5 LEAD STYLE
Δ = ONLY AVAILABLE WITH -01.9 LEAD STYLE WITH -04 ROW, AND ONLY MATES WITH -RA OPTION

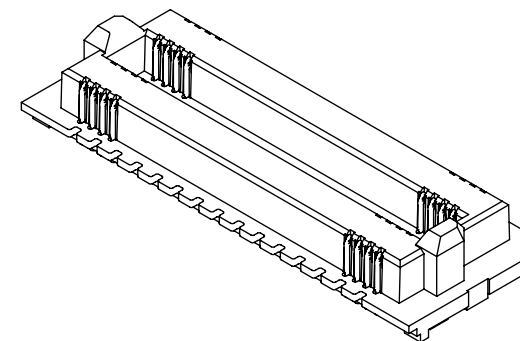
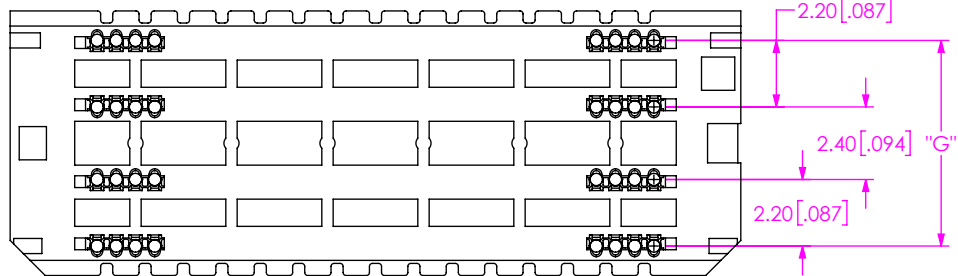
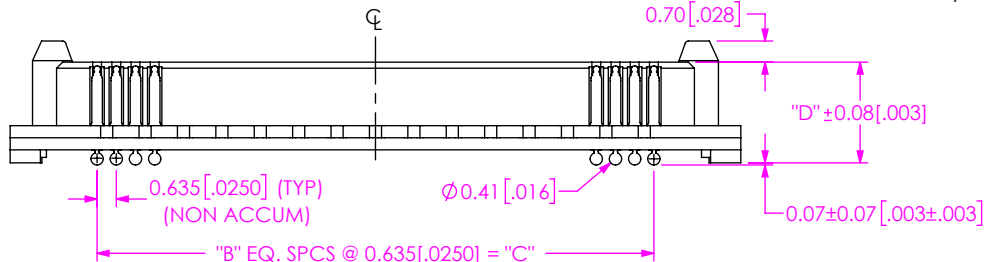
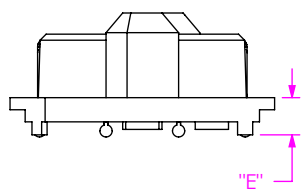


FIG 1
APM6-030-01.5-XXX-04-X-XR SHOWN
(SOME CENTER FEATURES REMOVED FOR CLARITY)

TABLE 3

LEAD STYLE	"D"	"E"
-01.5	3.33 [0.131]	1.23 [0.048]
-01.9	3.71 [0.146]	1.23 [0.048]
-06.5	8.33 [0.328]	6.23 [0.245]

TABLE 4

-No. OF ROWS	"F"	"G"
-04	8.75 [0.344]	6.80 [0.268]
-06	13.35 [0.526]	11.40 [0.449]
-08	17.95 [0.707]	16.00 [0.630]
-10	22.55 [0.888]	20.60 [0.811]
-16	36.35 [1.431]	34.40 [1.354]

TABLE 2

No. OF POS. PER ROW	"A" (-01.5 & -06.5 LEAD STYLE)	"A" (-01.9 LEAD STYLE)	"B"	"C"
-010	11.47 [0.451]	10.92 [0.430]	9	5.72 [0.225]
-020	17.82 [0.701]	17.27 [0.680]	19	12.07 [0.475]
-030	24.17 [0.951]	23.62 [0.930]	29	18.42 [0.725]
-040	30.52 [1.201]	29.97 [1.180]	39	24.77 [0.975]
-050	36.87 [1.451]	36.32 [1.430]	49	31.12 [1.225]
-060	43.22 [1.701]	42.67 [1.680]	59	37.47 [1.475]
-070	49.57 [1.951]	49.02 [1.930]	69	43.82 [1.725]
-080	55.92 [2.201]	55.37 [2.180]	79	50.17 [1.975]
-090	62.27 [2.451]	61.72 [2.430]	89	56.52 [2.225]
-100	68.62 [2.701]	68.07 [2.680]	99	62.87 [2.475]

TABLE 1

STACK HEIGHT		
APF6 LEAD STYLE	APM6 LEAD STYLE	
	-01.5	-06.5
-03.5	5.00 [0.197]	10.00 [0.394]

NOTES:

- NOTE DELETED.
- ORDERS WILL BE PACKAGED ACCORDING TO THE SAMTEC PACKAGING EFFICIENCY STANDARDS [SPES] FOUND ON WWW.SAMTEC.COM.
- ATTACH LABEL -4X2 TO EACH REEL.
- K-DOT PROVIDED AS STANDARD.
- MEASURE BOTH OUTSIDE ROWS ONLY.
- SEE SHT 3 FOR PROCESSING INFORMATION.
- PARTS ARE SOLDERED WITH OPTIMIZED SOLDER PASTE VOLUME IN PLACE OF AN ATTACHED SOLDER BALL. FOR MORE INFORMATION, CONTACT SAMTEC'S INTERCONNECT PROCESSING GROUP (IPG@SAMTEC.COM).

F:\DWG\MISC\MKTG\APM6-XXX-XX.X-XXX-XX-X-X-XR-MKT.LDDRW

PROPRIETARY NOTE
THIS DOCUMENT CONTAINS CONFIDENTIAL AND PROPRIETARY INFORMATION AND ALL DESIGN, MANUFACTURING, REPRODUCTION, USE, PATENT RIGHTS AND SALES RIGHTS ARE EXPRESSLY RESERVED BY SAMTEC, INC. THIS DOCUMENT SHALL NOT BE DISCLOSED, IN WHOLE OR PART, TO ANY UNAUTHORIZED PERSON OR ENTITY NOR REPRODUCED, TRANSFERRED OR INCORPORATED IN ANY OTHER PROJECT IN ANY MANNER WITHOUT THE EXPRESS WRITTEN CONSENT OF SAMTEC, INC.

DO NOT SCALE DRAWING
SHEET SCALE: 4:1
MATERIAL:
INSULATOR: LCP, COLOR: BLACK
TERMINAL: COPPER ALLOY

DESCRIPTION:
APM6 0.635MM TERMINAL ARRAY ASSEMBLY
DWG. NO.
APM6-XXX-XX.X-XXX-XX-X-X-XR
BY: B BLESSING 4/24/2018 SHEET 1 OF 4



520 PARK EAST BLVD, NEW ALBANY, IN 47150
PHONE: 812-944-6733 FAX: 812-948-5047
e-Mail info@SAMTEC.com code 55322

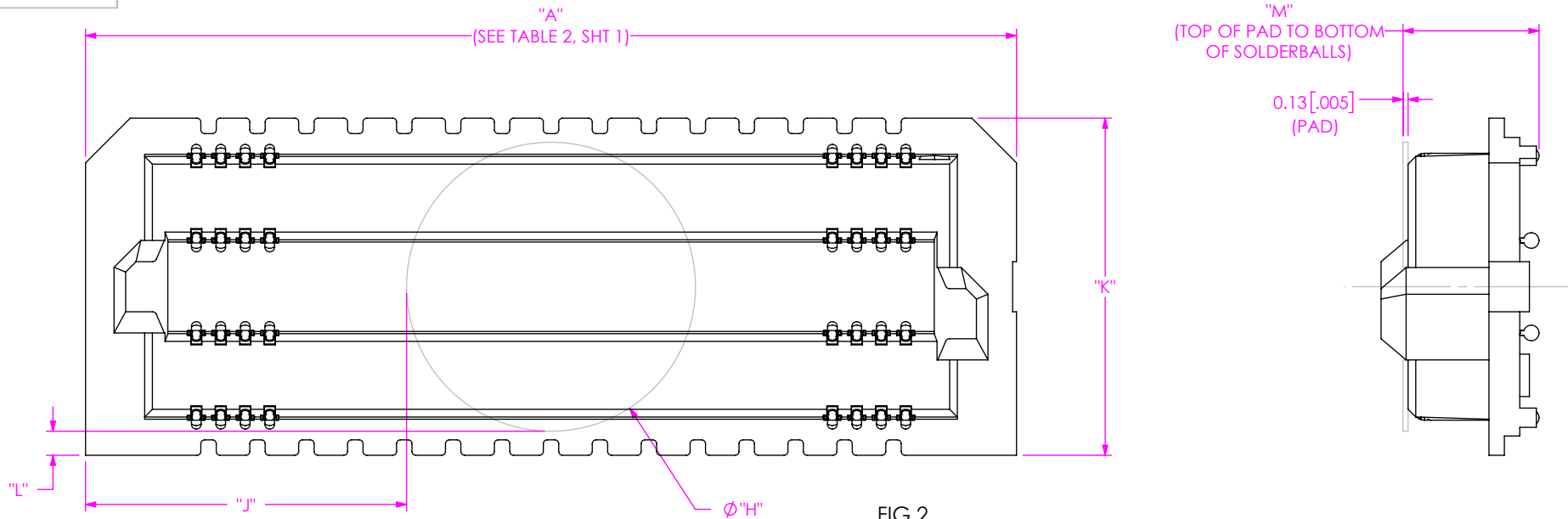


FIG 2
POLYIMIDE PAD
APM6-030-1.5-XXX-XX-X-XR SHOWN
(SOME CENTER FEATURES REMOVED FOR CLARITY)

TABLE 5 (FOR -01.5 & -06.5 LEAD STYLE)

-No. OF ROWS	ø"H"	"J"										"L"	
		10 POS	20 POS	30 POS	40 POS	50 POS	60 POS	70 POS	80 POS	90 POS	100 POS		
-04	7.50 [0.295]	1.98 [0.078]	5.16 [0.203]	8.33 [0.328]	11.51 [0.453]	14.68 [0.578]	17.86 [0.703]	21.03 [0.828]	24.21 [0.953]	27.38 [1.078]	30.56 [1.203]	0.63	[0.025]
-06	9.00 [0.354]	1.23 [0.049]	4.41 [0.174]	7.58 [0.299]	10.76 [0.424]	13.93 [0.549]	17.11 [0.674]	20.28 [0.799]	23.46 [0.924]	26.63 [1.049]	29.81 [1.174]	2.18	[0.086]
-08												4.48	[0.176]
-10												6.78	[0.267]
-16												13.68	[0.538]

TABLE 9 (FOR -01.9 LEAD STYLE)

-No. OF ROWS	ø"H"	"J"										"L"	
		10 POS	20 POS	30 POS	40 POS	50 POS	60 POS	70 POS	80 POS	90 POS	100 POS		
-04	7.50 [0.295]	1.71 [0.067]	4.89 [0.192]	8.06 [0.317]	14.41 [0.567]	17.59 [0.692]	17.59 [0.692]	20.76 [0.817]	23.94 [0.942]	27.11 [1.067]	30.29 [1.192]	0.63	[0.025]

LEAD STYLE	"M"
-01.5	3.53 [0.139]
-01.9	3.91 [0.154]
-06.5	8.53 [0.336]

PROPRIETARY NOTE
THIS DOCUMENT CONTAINS CONFIDENTIAL AND PROPRIETARY INFORMATION AND ALL DESIGN, MANUFACTURING, REPRODUCTION, USE, PATENT RIGHTS AND SALES RIGHTS ARE EXPRESSLY RESERVED BY SAMTEC, INC. THIS DOCUMENT SHALL NOT BE DISCLOSED, IN WHOLE OR PART, TO ANY UNAUTHORIZED PERSON OR ENTITY NOR REPRODUCED, TRANSFERRED OR INCORPORATED IN ANY OTHER PROJECT IN ANY MANNER WITHOUT THE EXPRESS WRITTEN CONSENT OF SAMTEC, INC.

DO NOT SCALE DRAWING
SHEET SCALE: 6:1



520 PARK EAST BLVD, NEW ALBANY, IN 47150
PHONE: 812-944-6733 FAX: 812-948-5047
e-Mail info@SAMTEC.com code 55322

DESCRIPTION:
APM6 0.635MM TERMINAL ARRAY ASSEMBLY

DWG. NO.
APM6-XXX-XX.X-XXX-XX-X-XR

BY: B BLESSING 4/24/2018 SHEET 2 OF 4

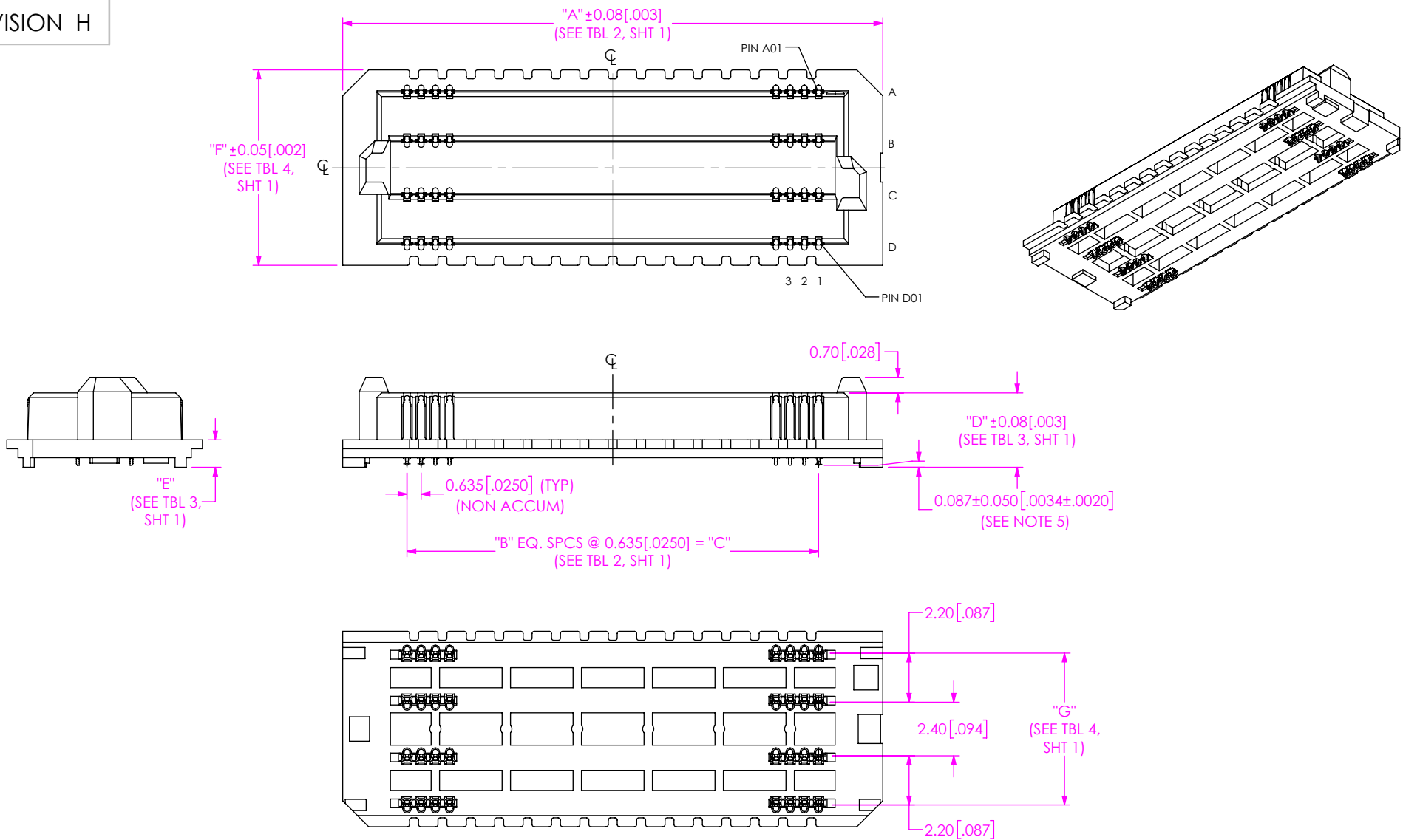


FIG 5
 APM6-030-01.5-XXX-04-0-XR SHOWN
 (NO SOLDER BALLS OPTION)
 (SOME CENTER FEATURES REMOVED FOR CLARITY)

PROPRIETARY NOTE
 THIS DOCUMENT CONTAINS CONFIDENTIAL AND PROPRIETARY INFORMATION AND ALL DESIGN, MANUFACTURING, REPRODUCTION, USE, PATENT RIGHTS AND SALES RIGHTS ARE EXPRESSLY RESERVED BY SAMTEC, INC. THIS DOCUMENT SHALL NOT BE DISCLOSED, IN WHOLE OR PART, TO ANY UNAUTHORIZED PERSON OR ENTITY NOR REPRODUCED, TRANSFERRED OR INCORPORATED IN ANY OTHER PROJECT IN ANY MANNER WITHOUT THE EXPRESS WRITTEN CONSENT OF SAMTEC, INC.

samtec
 520 PARK EAST BLVD, NEW ALBANY, IN 47150
 PHONE: 812-944-6733 FAX: 812-948-5047
 e-Mail info@SAMTEC.com code 55322

DO NOT SCALE DRAWING
 SHEET SCALE: 3:1

DESCRIPTION:
 APM6 0.635MM TERMINAL ARRAY ASSEMBLY
 DWG. NO.
APM6-XXX-XX.X-XXX-XX-X-X-XR
 BY: B BLESSING 4/24/2018 SHEET 3 OF 4

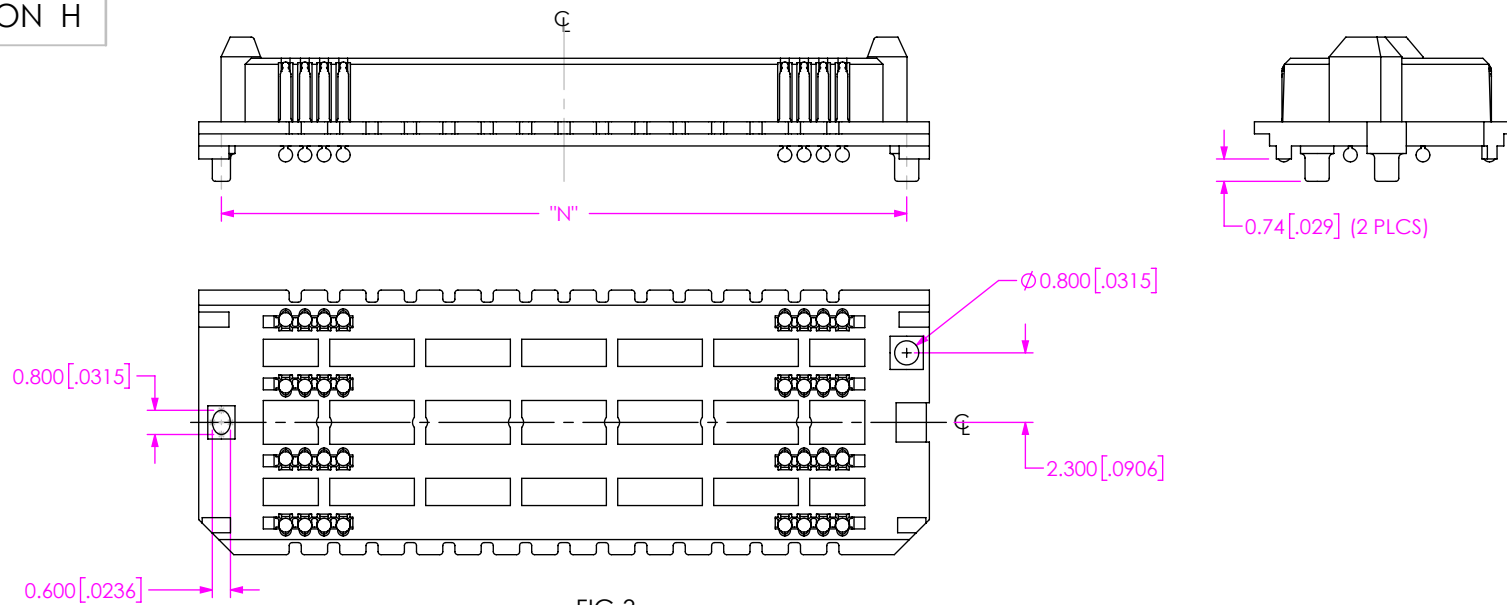


FIG 3
 -A: ALIGNMENT PIN
 APM6-030-01.5-XXX-04-X-A-XR SHOWN
 (SAME AS FIG 1, EXCEPT AS SHOWN)
 (SOME CENTER FEATURES REMOVED FOR CLARITY)

No OF POS PER ROW	"N"
-010	9.97 [0.392]
-020	16.32 [0.642]
-030	22.67 [0.892]
-040	29.02 [1.142]
-050	35.37 [1.392]
-060	41.72 [1.642]
-070	48.07 [1.892]
-080	54.42 [2.142]
-090	60.77 [2.392]
-100	67.12 [2.642]

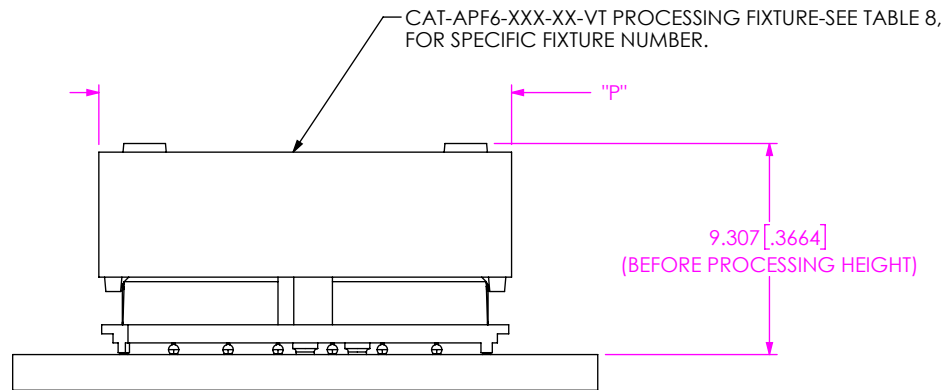


FIG 4
 PROCESSING FIXTURE
 (ONLY AVAILABLE IN -01.5 LEAD STYLE)

NOTE:
 FIG 4, DIMENSION 9.307[.3664] INDICATES CONNECTOR/FIXTURE HEIGHT ON PCB.
 TO GUARANTEE ENOUGH REFLOW OVEN WORKING SPACE, DIMENSION 9.307[.3664],
 PCB THICKNESS, AND THE HEIGHT OF THE COMPONENTS ON THE OPPOSITE
 SIDE OF THE BOARD NEED TO BE CONSIDERED.

APX6 FIXTURE TOOLS			
PART NUMBERS	POSITIONS	ROW	"P"
CAT-APF6-100-04-VT	100	-04	8.99 [0.354]
CAT-APF6-100-08-VT	100	-08	18.21 [0.717]

PROPRIETARY NOTE
 THIS DOCUMENT CONTAINS CONFIDENTIAL AND PROPRIETARY INFORMATION AND ALL DESIGN, MANUFACTURING, REPRODUCTION, USE, PATENT RIGHTS AND SALES RIGHTS ARE EXPRESSLY RESERVED BY SAMTEC, INC. THIS DOCUMENT SHALL NOT BE DISCLOSED, IN WHOLE OR PART, TO ANY UNAUTHORIZED PERSON OR ENTITY NOR REPRODUCED, TRANSFERRED OR INCORPORATED IN ANY OTHER PROJECT IN ANY MANNER WITHOUT THE EXPRESS WRITTEN CONSENT OF SAMTEC, INC.



520 PARK EAST BLVD, NEW ALBANY, IN 47150
 PHONE: 812-944-6733 FAX: 812-948-5047
 e-Mail info@SAMTEC.com code 55322

DO NOT SCALE DRAWING
 SHEET SCALE: 4:1

DESCRIPTION:
 APM6 0.635MM TERMINAL ARRAY ASSEMBLY

DWG. NO.
 APM6-XXX-XX.X-XXX-XX-X-XR

BY: B BLESSING 4/24/2018 SHEET 4 OF 4