

Pb THIS PRODUCT MANUFACTURED WITH LEAD-FREE PROCESSING

**DESIGNED AND DIMENSIONED IN MILLIMETERS [INCHES]
ALL DIMENSIONS REFERENCE EXCEPT AS SHOWN**

ARP6-XX-XXX-XX-XX.X-X-X-X

TABLE 3 PINOUT ARRANGEMENT		
STYLE	NO OF POS/ROW	DESCRIPTION
-DP	-25	8 DIFF PAIRS PER ROW
-DP	-37	12 DIFF PAIRS PER ROW
-SE	-25	12 SE SIGNALS PER ROW
-SE	-37	18 SE SIGNALS PER ROW
-DS	-25	2 ROWS OF 12 SE, REMAINING ROWS 8 DP EACH
-DS	-37	2 ROWS OF 18 SE, REMAINING ROWS 12 DP EACH

(SEE SIGNAL MAPPING TABLES FOR FULL SIG/GND DEFINITION)

STYLE
-DP: USE 3492 TWINAX CABLE
-SE: USE 3450 COAX CABLE
-DS: MIXED DP AND SE
(SEE TABLE 3)

No OF POSITIONS PER ROW
-025, -037
(SEE TABLE 3)

No OF ROWS
-04, -06, **08

END 2 OPTION
-L: SQUEEZE LATCH
-T: LOCKING TOOL
Δ**-S: SINGLE LATCH
END 1 OPTION
-L: SQUEEZE LATCH
-T: LOCKING TOOL
Δ**-S: SINGLE LATCH
END 2 ORIENTATION
-T: TOP
-B: BOTTOM

CABLE LENGTH
-XX.X (INCHES)
(05.0 MIN)

(** = NOT ENGINEERING APPROVED)
(Δ = ONLY AVAILABLE IN 4 ROW)

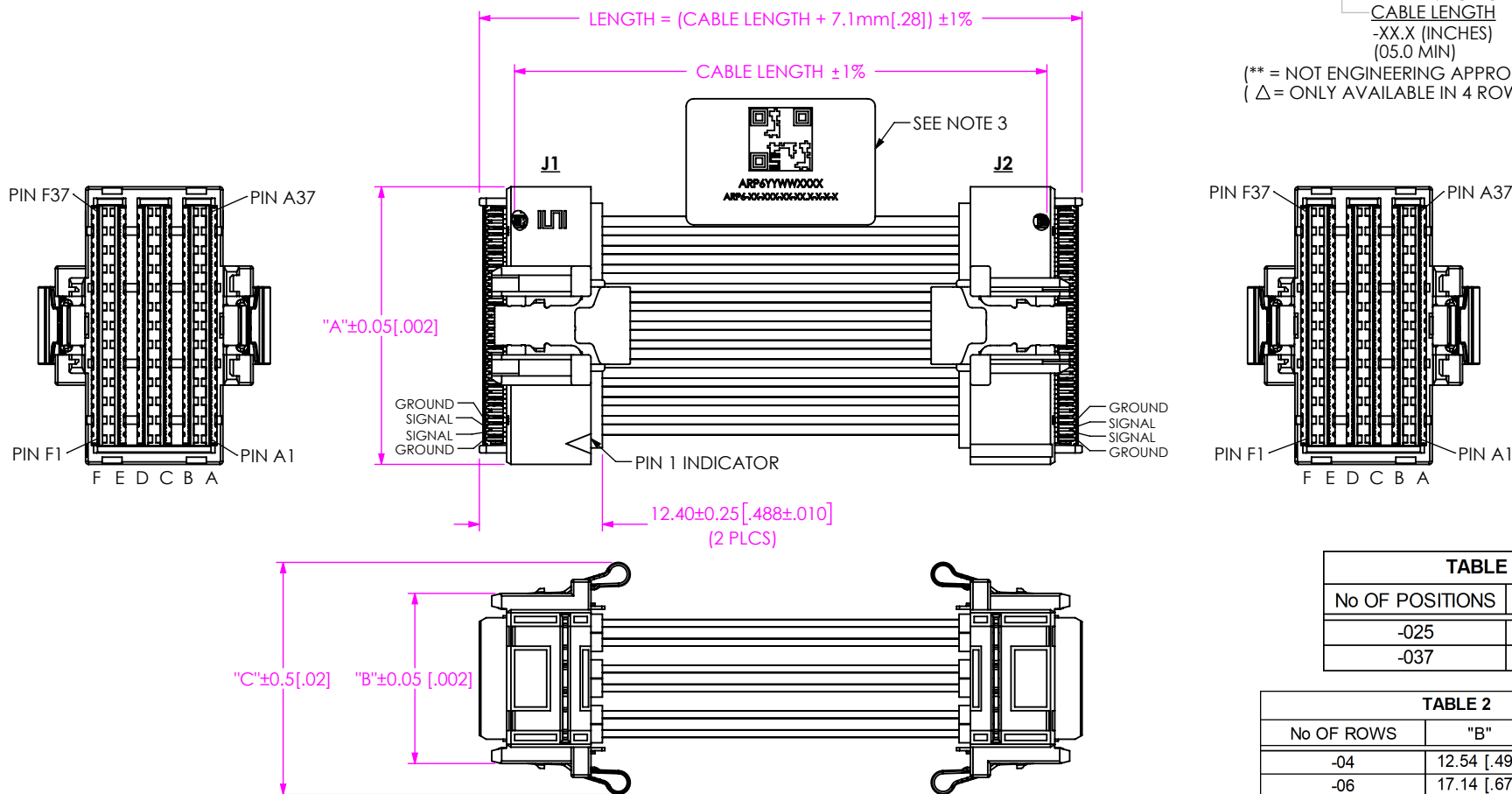


TABLE 1	
No OF POSITIONS	"A"
-025	20.34 [.801]
-037	27.96 [1.101]

TABLE 2		
No OF ROWS	"B"	"C"
-04	12.54 [.494]	18.79 [.740]
-06	17.14 [.675]	23.39 [.921]
-08	21.74 [.856]	27.99 [1.102]

- NOTES:
1. ALL ASSEMBLIES TO BE 100% HI-POT TESTED AT 300V.
2. ALL ASSEMBLIES TO BE 100% ELECTRICALLY TESTED FOR SHORTS AND OPENS.
3. LABEL TO BE CENTERED ON CABLE AS SHOWN. LABEL TO CONTAIN:
LINE 1 - QR CODE;
LINE 2 - SERIAL NUMBER "ARP6YYWWXXXX";
LINE 3 - PART NUMBER "ARP6-XX-XXX-XX-XX.X-X-X-X";

PROPRIETARY NOTE
THIS DOCUMENT CONTAINS CONFIDENTIAL AND PROPRIETARY INFORMATION AND ALL DESIGN, MANUFACTURING, REPRODUCTION, USE, PATENT RIGHTS AND SALES RIGHTS ARE EXPRESSLY RESERVED BY SAMTEC, INC. THIS DOCUMENT SHALL NOT BE DISCLOSED, IN WHOLE OR PART, TO ANY UNAUTHORIZED PERSON OR ENTITY NOR REPRODUCED, TRANSFERRED OR INCORPORATED IN ANY OTHER PROJECT IN ANY MANNER WITHOUT THE EXPRESS WRITTEN CONSENT OF SAMTEC, INC.

MATERIAL: DO NOT SCALE DRAWING
SHEET SCALE: 3:2

INSULATOR: LCP
TERMINAL: COPPER ALLOY
LATCH: SS
CABLE: SUB ASSEMBLY

samtec
520 PARK EAST BLVD, NEW ALBANY, IN 47150
PHONE: 812-944-6733 FAX: 812-948-5047
e-Mail info@SAMTEC.com code 55322

DESCRIPTION: ARP6 CABLE ASSEMBLY
DWG. NO. ARP6-XX-XXX-XX-XX.X-X-X-X
BY: JACK Z 09/14/2021 SHEET 1 OF 24

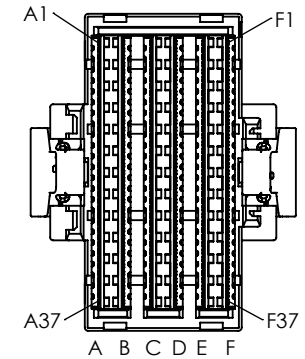
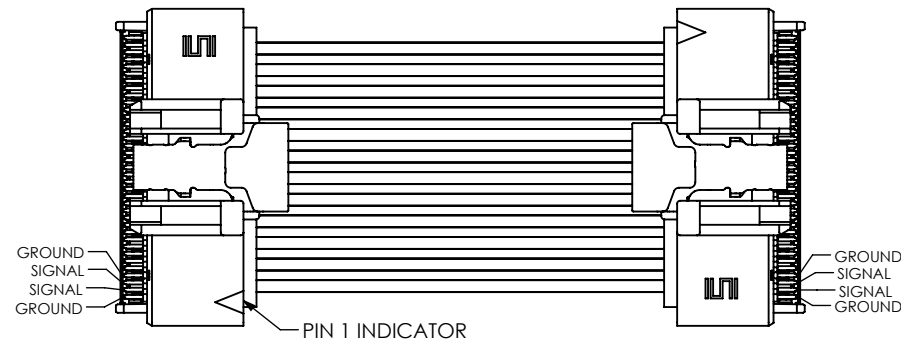
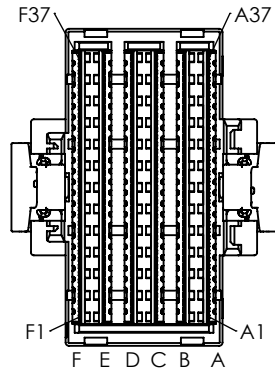


FIG 2
 ARP6-DP-037-06-XX.X-T-L-L SHOWN
 (DIFFERENT AS SHOWN, OTHERWISE SAME AS FIG 1)

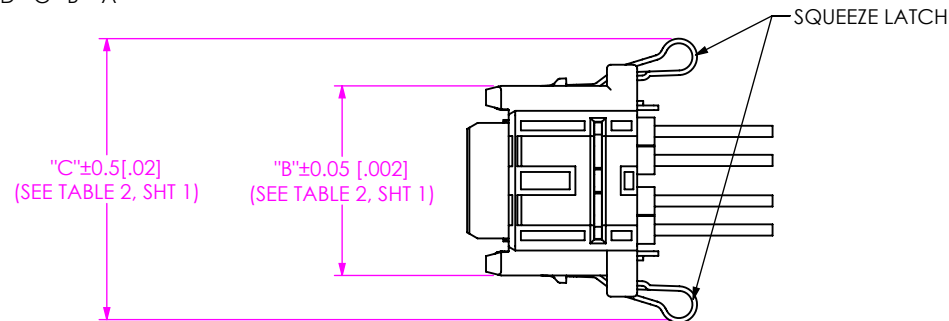
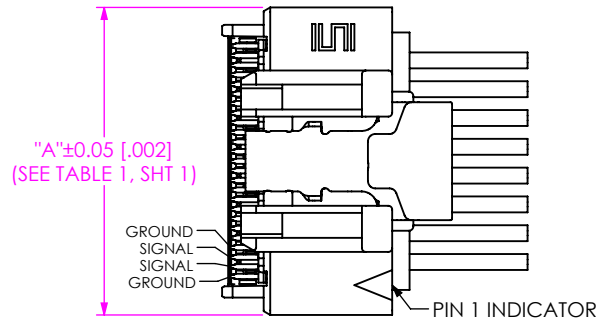
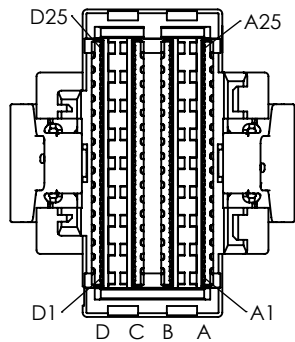


FIG 3
 ARP6-DP-025-04-XX.X-X-L-X END 1 SHOWN
 (DIFFERENT AS SHOWN, OTHERWISE SAME AS FIG 1)

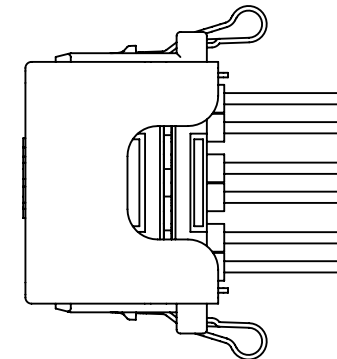


FIG 4
 ARP6-DP-037-06 END 1 SHOWN WITH PROTECTIVE CAP

F:\DWG\MISC\MKTG\ARP6-XX-XXX-XX-XX.X-X-X-MKT.SLDDRW

PROPRIETARY NOTE
 THIS DOCUMENT CONTAINS CONFIDENTIAL AND PROPRIETARY INFORMATION AND ALL DESIGN, MANUFACTURING, REPRODUCTION, USE, PATENT RIGHTS AND SALES RIGHTS ARE EXPRESSLY RESERVED BY SAMTEC, INC. THIS DOCUMENT SHALL NOT BE DISCLOSED, IN WHOLE OR PART, TO ANY UNAUTHORIZED PERSON OR ENTITY NOR REPRODUCED, TRANSFERRED OR INCORPORATED IN ANY OTHER PROJECT IN ANY MANNER WITHOUT THE EXPRESS WRITTEN CONSENT OF SAMTEC, INC.

samtec
 520 PARK EAST BLVD, NEW ALBANY, IN 47150
 PHONE: 812-944-6733 FAX: 812-948-5047
 e-Mail info@SAMTEC.com code 55322

SHEET SCALE: 3:2

DESCRIPTION: ARP6 CABLE ASSEMBLY

DWG. NO. ARP6-XX-XXX-XX-XX.X-X-X-X

BY: JACK Z 09/14/2021 SHEET 2 OF 24

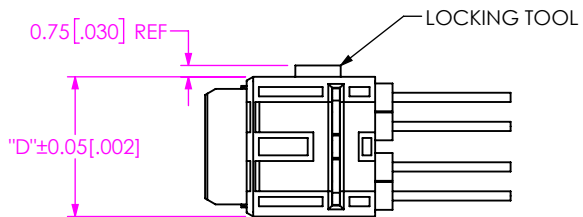
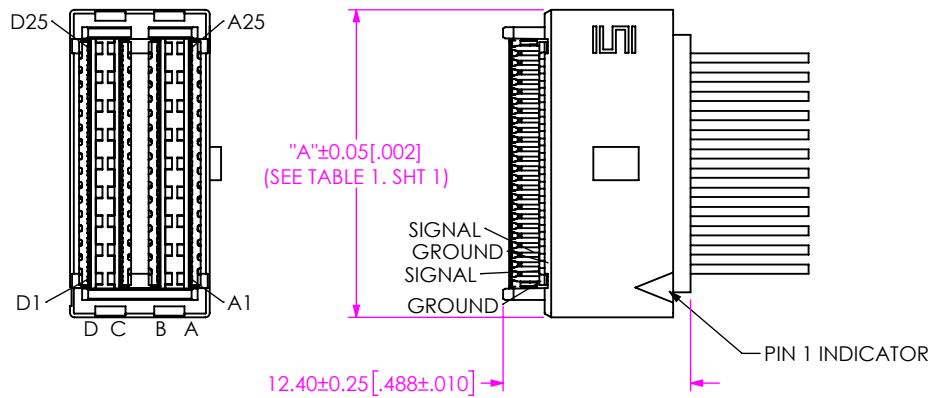


FIG 5
ARP6-SE-025-04-XX.X-X-T-X END 1 SHOWN

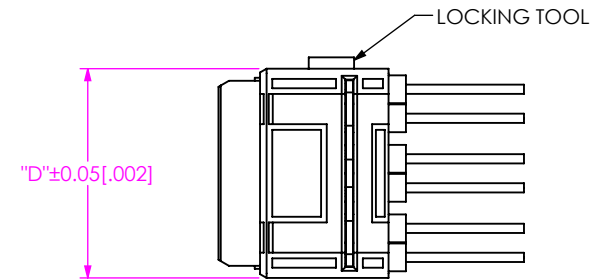
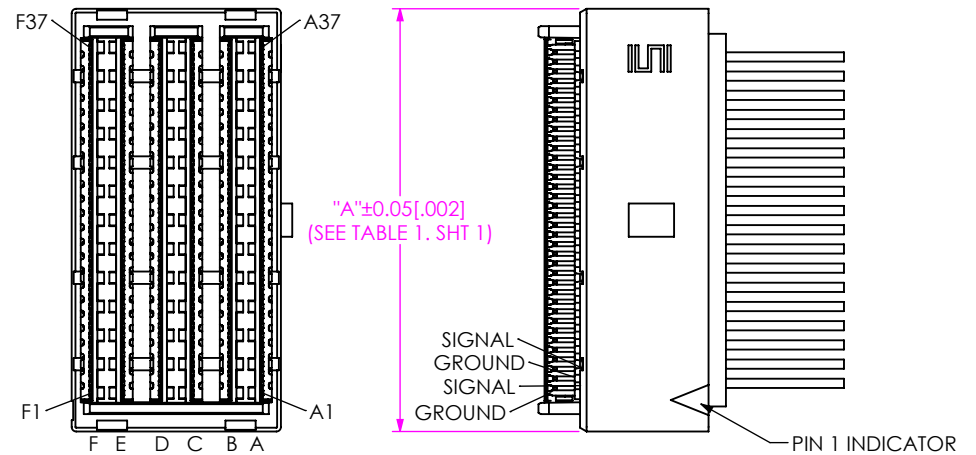


FIG 6
ARP6-SE-037-06-XX.X-X-T-X END 1 SHOWN
(DIFFERENT AS SHOWN, OTHERWISE SAME AS FIG 5)

No OF ROWS	"D"
-04	9.24 [.364]
-06	13.84 [.545]
-08	18.44 [.726]

F:\DWG\MISC\MKTG\ARP6-XX-XXX-XX-XX.X-X-X-MKT.SLDDRW

<p>PROPRIETARY NOTE</p> <p>THIS DOCUMENT CONTAINS CONFIDENTIAL AND PROPRIETARY INFORMATION AND ALL DESIGN, MANUFACTURING, REPRODUCTION, USE, PATENT RIGHTS AND SALES RIGHTS ARE EXPRESSLY RESERVED BY SAMTEC, INC. THIS DOCUMENT SHALL NOT BE DISCLOSED, IN WHOLE OR PART, TO ANY UNAUTHORIZED PERSON OR ENTITY NOR REPRODUCED, TRANSFERRED OR INCORPORATED IN ANY OTHER PROJECT IN ANY MANNER WITHOUT THE EXPRESS WRITTEN CONSENT OF SAMTEC, INC.</p>	 520 PARK EAST BLVD, NEW ALBANY, IN 47150 PHONE: 812-944-6733 FAX: 812-948-5047 e-Mail info@SAMTEC.com code 55322	
	SHEET SCALE: 2:1	
	DESCRIPTION: ARP6 CABLE ASSEMBLY DWG. NO. ARP6-XX-XXX-XX-XX.X-X-X-X BY: JACK Z 09/14/2021 SHEET 3 OF 24	

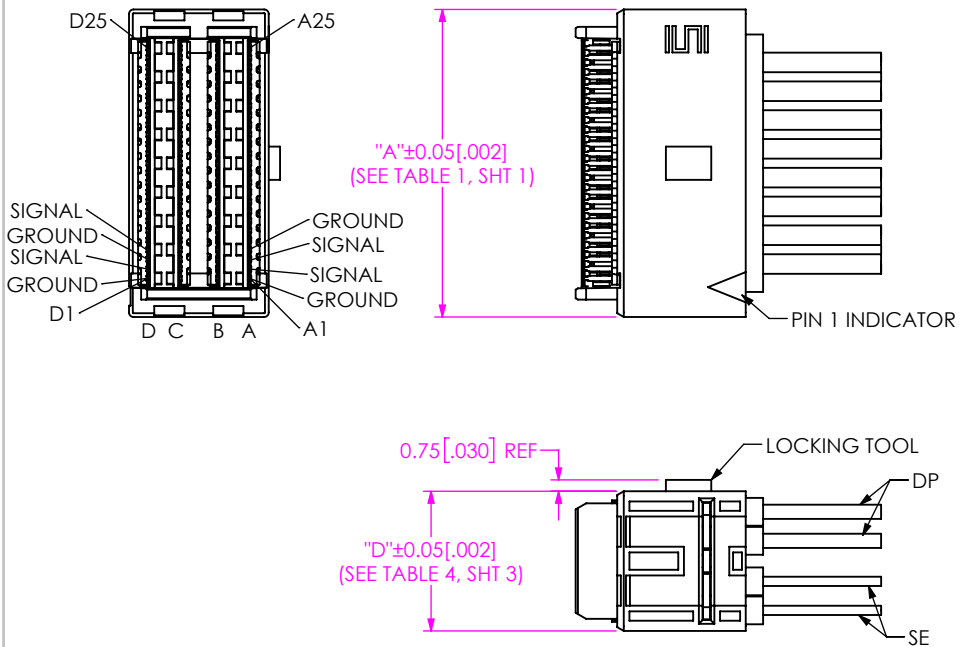


FIG 7
ARP6-DS-025-04-XX.X-X-T-X END 1 SHOWN

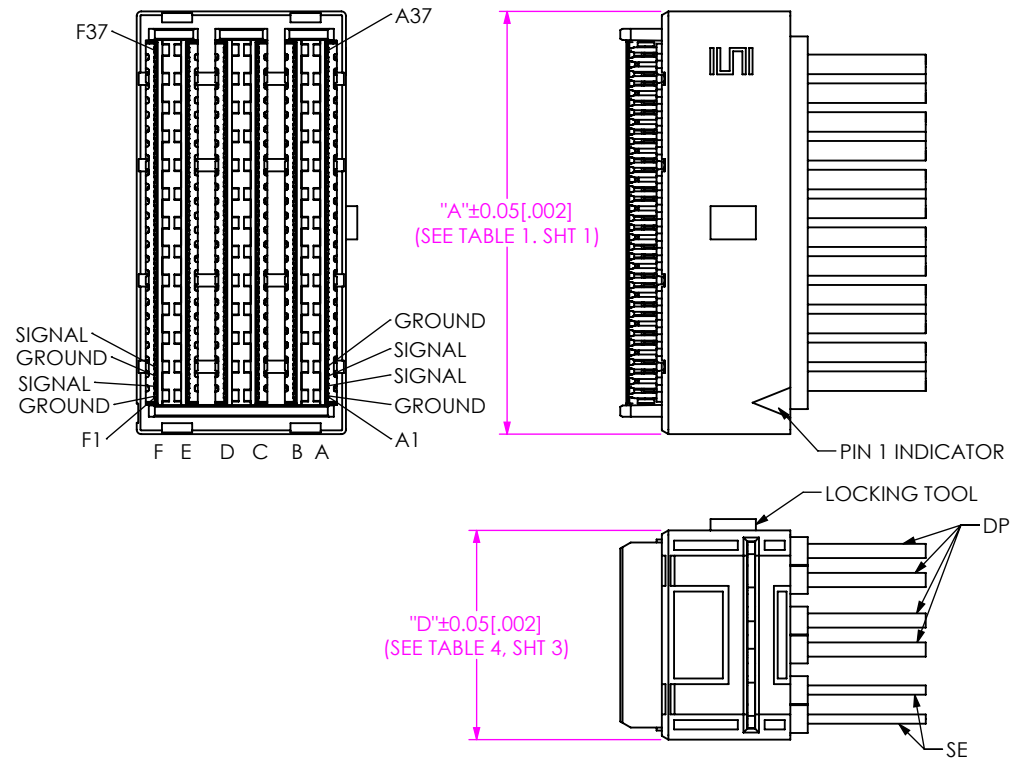


FIG 8
ARP6-DS-037-06-XX.X-X-T-X END 1 SHOWN
(DIFFERENT AS SHOWN, OTHERWISE SAME AS FIG 7)

F:\DWG\MISC\MKTG\ARP6-XX-XXX-XX-XX.X-X-X-MKT.SLDDRW

<p>PROPRIETARY NOTE</p> <p>THIS DOCUMENT CONTAINS CONFIDENTIAL AND PROPRIETARY INFORMATION AND ALL DESIGN, MANUFACTURING, REPRODUCTION, USE, PATENT RIGHTS AND SALES RIGHTS ARE EXPRESSLY RESERVED BY SAMTEC, INC. THIS DOCUMENT SHALL NOT BE DISCLOSED, IN WHOLE OR PART, TO ANY UNAUTHORIZED PERSON OR ENTITY NOR REPRODUCED, TRANSFERRED OR INCORPORATED IN ANY OTHER PROJECT IN ANY MANNER WITHOUT THE EXPRESS WRITTEN CONSENT OF SAMTEC, INC.</p>	 <p>520 PARK EAST BLVD, NEW ALBANY, IN 47150 PHONE: 812-944-6733 FAX: 812-948-5047 e-Mail info@SAMTEC.com code 55322</p>
<p>SHEET SCALE: 2:1</p>	<p>DESCRIPTION: ARP6 CABLE ASSEMBLY</p>
<p>BY: JACK Z</p>	<p>DWG. NO. ARP6-XX-XXX-XX-XX.X-X-X-X 09/14/2021 SHEET 4 OF 24</p>

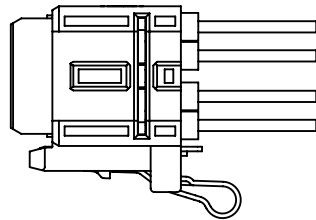


FIG 11
ARP6-DP-037-04-XX.X-X-S-X END 1 SHOWN
(DIFFERENT AS SHOWN, OTHERWISE SAME AS FIG 10)

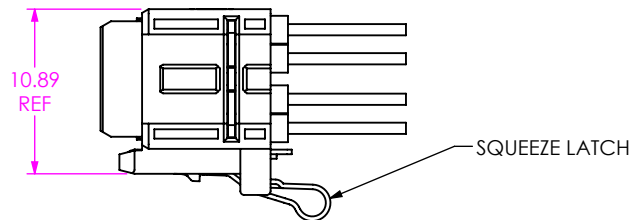
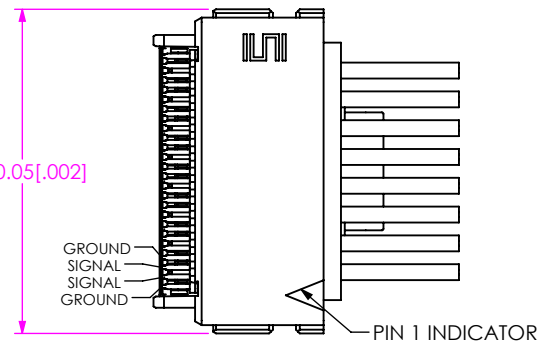
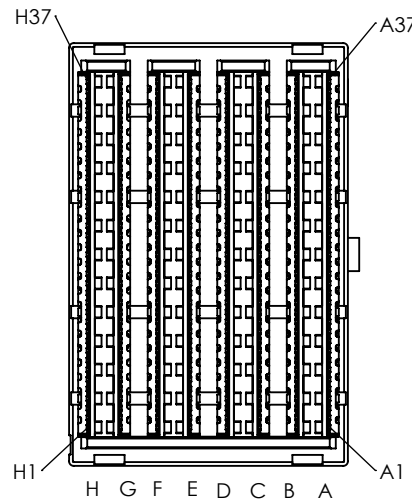


FIG 10
ARP6-DP-025-04-XX.X-X-S-X END 1 SHOWN
(DIFFERENT AS SHOWN, OTHERWISE SAME AS FIG 3)

No OF POSITIONS	"E"
-025	21.44 [.844]
-037	29.06 [1.144]

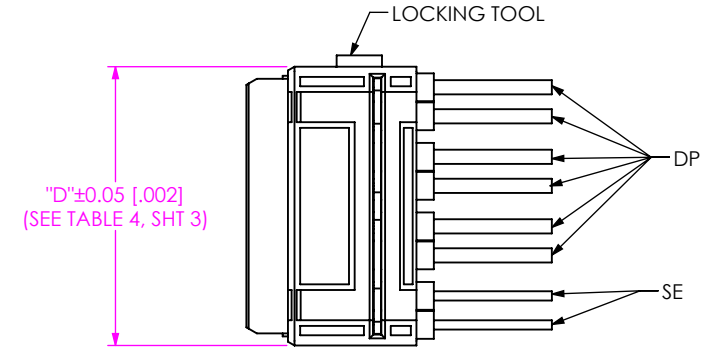
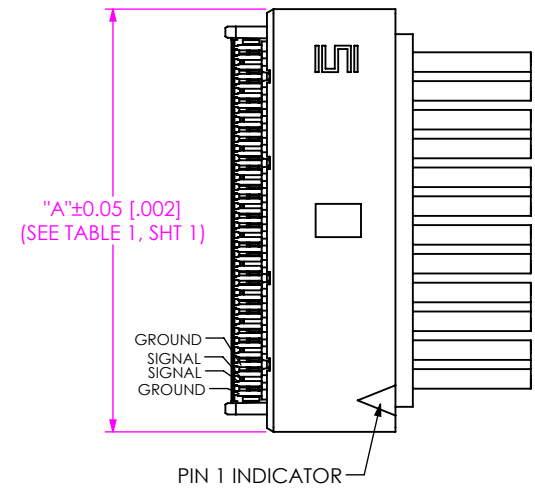


FIG 9
ARP6-DS-037-08-XX.X-X-T-X END 1 SHOWN
(DIFFERENT AS SHOWN, OTHERWISE SAME AS FIG 5)

PROPRIETARY NOTE
THIS DOCUMENT CONTAINS CONFIDENTIAL AND PROPRIETARY INFORMATION AND ALL DESIGN, MANUFACTURING, REPRODUCTION, USE, PATENT RIGHTS AND SALES RIGHTS ARE EXPRESSLY RESERVED BY SAMTEC, INC. THIS DOCUMENT SHALL NOT BE DISCLOSED, IN WHOLE OR PART, TO ANY UNAUTHORIZED PERSON OR ENTITY NOR REPRODUCED, TRANSFERRED OR INCORPORATED IN ANY OTHER PROJECT IN ANY MANNER WITHOUT THE EXPRESS WRITTEN CONSENT OF SAMTEC, INC.

SHEET SCALE: 2:1
DO NOT SCALE DRAWING



520 PARK EAST BLVD, NEW ALBANY, IN 47150
PHONE: 812-944-6733 FAX: 812-948-5047
e-Mail info@SAMTEC.com code 55322

DESCRIPTION:
ARP6 CABLE ASSEMBLY

DWG. NO.
ARP6-XX-XXX-XX-XX.X-X-X-X

BY: JACK Z 09/14/2021 SHEET 5 OF 24

ARP6-DP-025-04-XX.X-B-X-X SIGNAL MAPPING																									
POSITIONS																									
J1	A1	A2	A3	A4	A5	A6	A7	A8	A9	A10	A11	A12	A13	A14	A15	A16	A17	A18	A19	A20	A21	A22	A23	A24	A25
	GND	DP	GND	DP	GND	DP	GND	DP	GND	DP	GND	DP	GND	DP	GND	DP	GND	DP	GND	DP	GND	DP	GND	DP	GND
J2	D1	D2	D3	D4	D5	D6	D7	D8	D9	D10	D11	D12	D13	D14	D15	D16	D17	D18	D19	D20	D21	D22	D23	D24	D25
J1	B1	B2	B3	B4	B5	B6	B7	B8	B9	B10	B11	B12	B13	B14	B15	B16	B17	B18	B19	B20	B21	B22	B23	B24	B25
	GND	DP	GND	DP	GND	DP	GND	DP	GND	DP	GND	DP	GND	DP	GND	DP	GND	DP	GND	DP	GND	DP	GND	DP	GND
J2	C1	C2	C3	C4	C5	C6	C7	C8	C9	C10	C11	C12	C13	C14	C15	C16	C17	C18	C19	C20	C21	C22	C23	C24	C25
J1	C1	C2	C3	C4	C5	C6	C7	C8	C9	C10	C11	C12	C13	C14	C15	C16	C17	C18	C19	C20	C21	C22	C23	C24	C25
	GND	DP	GND	DP	GND	DP	GND	DP	GND	DP	GND	DP	GND	DP	GND	DP	GND	DP	GND	DP	GND	DP	GND	DP	GND
J2	B1	B2	B3	B4	B5	B6	B7	B8	B9	B10	B11	B12	B13	B14	B15	B16	B17	B18	B19	B20	B21	B22	B23	B24	B25
J1	D1	D2	D3	D4	D5	D6	D7	D8	D9	D10	D11	D12	D13	D14	D15	D16	D17	D18	D19	D20	D21	D22	D23	D24	D25
	GND	DP	GND	DP	GND	DP	GND	DP	GND	DP	GND	DP	GND	DP	GND	DP	GND	DP	GND	DP	GND	DP	GND	DP	GND
J2	A1	A2	A3	A4	A5	A6	A7	A8	A9	A10	A11	A12	A13	A14	A15	A16	A17	A18	A19	A20	A21	A22	A23	A24	A25
ALL GROUNDS ARE COMMON WITHIN A ROW AND TIED TO CABLE SHIELD																									
ON THE MATING BOARD ASSEMBLY, SAMTEC RECOMMENDS IMPLEMENTING A GND REFERENCE TYING ALL GND'S TOGETHER																									

ARP6-DP-025-04-XX.X-T-X-X SIGNAL MAPPING																									
POSITIONS																									
J1	A1	A2	A3	A4	A5	A6	A7	A8	A9	A10	A11	A12	A13	A14	A15	A16	A17	A18	A19	A20	A21	A22	A23	A24	A25
	GND	DP	GND	DP	GND	DP	GND	DP	GND	DP	GND	DP	GND	DP	GND	DP	GND	DP	GND	DP	GND	DP	GND	DP	GND
J2	A25	A24	A23	A22	A21	A20	A19	A18	A17	A16	A15	A14	A13	A12	A11	A10	A9	A8	A7	A6	A5	A4	A3	A2	A1
J1	B1	B2	B3	B4	B5	B6	B7	B8	B9	B10	B11	B12	B13	B14	B15	B16	B17	B18	B19	B20	B21	B22	B23	B24	B25
	GND	DP	GND	DP	GND	DP	GND	DP	GND	DP	GND	DP	GND	DP	GND	DP	GND	DP	GND	DP	GND	DP	GND	DP	GND
J2	B25	B24	B23	B22	B21	B20	B19	B18	B17	B16	B15	B14	B13	B12	B11	B10	B9	B8	B7	B6	B5	B4	B3	B2	B1
J1	C1	C2	C3	C4	C5	C6	C7	C8	C9	C10	C11	C12	C13	C14	C15	C16	C17	C18	C19	C20	C21	C22	C23	C24	C25
	GND	DP	GND	DP	GND	DP	GND	DP	GND	DP	GND	DP	GND	DP	GND	DP	GND	DP	GND	DP	GND	DP	GND	DP	GND
J2	C25	C24	C23	C22	C21	C20	C19	C18	C17	C16	C15	C14	C13	C12	C11	C10	C9	C8	C7	C6	C5	C4	C3	C2	C1
J1	D1	D2	D3	D4	D5	D6	D7	D8	D9	D10	D11	D12	D13	D14	D15	D16	D17	D18	D19	D20	D21	D22	D23	D24	D25
	GND	DP	GND	DP	GND	DP	GND	DP	GND	DP	GND	DP	GND	DP	GND	DP	GND	DP	GND	DP	GND	DP	GND	DP	GND
J2	D25	D24	D23	D22	D21	D20	D19	D18	D17	D16	D15	D14	D13	D12	D11	D10	D9	D8	D7	D6	D5	D4	D3	D2	D1
ALL GROUNDS ARE COMMON WITHIN A ROW AND TIED TO CABLE SHIELD																									
ON THE MATING BOARD ASSEMBLY, SAMTEC RECOMMENDS IMPLEMENTING A GND REFERENCE TYING ALL GND'S TOGETHER																									

PROPRIETARY NOTE
 THIS DOCUMENT CONTAINS CONFIDENTIAL AND PROPRIETARY INFORMATION AND ALL DESIGN, MANUFACTURING, REPRODUCTION, USE, PATENT RIGHTS AND SALES RIGHTS ARE EXPRESSLY RESERVED BY SAMTEC, INC. THIS DOCUMENT SHALL NOT BE DISCLOSED, IN WHOLE OR PART, TO ANY UNAUTHORIZED PERSON OR ENTITY NOR REPRODUCED, TRANSFERRED OR INCORPORATED IN ANY OTHER PROJECT IN ANY MANNER WITHOUT THE EXPRESS WRITTEN CONSENT OF SAMTEC, INC.



520 PARK EAST BLVD, NEW ALBANY, IN 47150
 PHONE: 812-944-6733 FAX: 812-948-5047
 e-Mail: info@SAMTEC.com code 53322

SHEET SCALE: 3:2

DESCRIPTION: ARP6 CABLE ASSEMBLY

DWG. NO. ARP6-XX-XXX-XX-XX.X-X-X-X

BY: JACK Z 09/14/2021 SHEET 6 OF 24

ARP6-DP-025-06-XX-X-B-X-X SIGNAL MAPPING																									
POSITIONS																									
J1	A1	A2	A3	A4	A5	A6	A7	A8	A9	A10	A11	A12	A13	A14	A15	A16	A17	A18	A19	A20	A21	A22	A23	A24	A25
	GND1	DP	GND1	DP	GND1	DP	GND1	DP	GND1	DP	GND1	DP	GND1	DP	GND1	DP	GND1	DP	GND1	DP	GND1	DP	GND1	DP	GND1
J2	F1	F2	F3	F4	F5	F6	F7	F8	F9	F10	F11	F12	F13	F14	F15	F16	F17	F18	F19	F20	F21	F22	F23	F24	F25
J1	B1	B2	B3	B4	B5	B6	B7	B8	B9	B10	B11	B12	B13	B14	B15	B16	B17	B18	B19	B20	B21	B22	B23	B24	B25
	GND2	DP	GND2	DP	GND2	DP	GND2	DP	GND2	DP	GND2	DP	GND2	DP	GND2	DP	GND2	DP	GND2	DP	GND2	DP	GND2	DP	GND2
J2	E1	E2	E3	E4	E5	E6	E7	E8	E9	E10	E11	E12	E13	E14	E15	E16	E17	E18	E19	E20	E21	E22	E23	E24	E25
J1	C1	C2	C3	C4	C5	C6	C7	C8	C9	C10	C11	C12	C13	C14	C15	C16	C17	C18	C19	C20	C21	C22	C23	C24	C25
	GND3	DP	GND3	DP	GND3	DP	GND3	DP	GND3	DP	GND3	DP	GND3	DP	GND3	DP	GND3	DP	GND3	DP	GND3	DP	GND3	DP	GND3
J2	D1	D2	D3	D4	D5	D6	D7	D8	D9	D10	D11	D12	D13	D14	D15	D16	D17	D18	D19	D20	D21	D22	D23	D24	D25
J1	D1	D2	D3	D4	D5	D6	D7	D8	D9	D10	D11	D12	D13	D14	D15	D16	D17	D18	D19	D20	D21	D22	D23	D24	D25
	GND4	DP	GND4	DP	GND4	DP	GND4	DP	GND4	DP	GND4	DP	GND4	DP	GND4	DP	GND4	DP	GND4	DP	GND4	DP	GND4	DP	GND4
J2	C1	C2	C3	C4	C5	C6	C7	C8	C9	C10	C11	C12	C13	C14	C15	C16	C17	C18	C19	C20	C21	C22	C23	C24	C25
J1	E1	E2	E3	E4	E5	E6	E7	E8	E9	E10	E11	E12	E13	E14	E15	E16	E17	E18	E19	E20	E21	E22	E23	E24	E25
	GND5	DP	GND5	DP	GND5	DP	GND5	DP	GND5	DP	GND5	DP	GND5	DP	GND5	DP	GND5	DP	GND5	DP	GND5	DP	GND5	DP	GND5
J2	B1	B2	B3	B4	B5	B6	B7	B8	B9	B10	B11	B12	B13	B14	B15	B16	B17	B18	B19	B20	B21	B22	B23	B24	B25
J1	F1	F2	F3	F4	F5	F6	F7	F8	F9	F10	F11	F12	F13	F14	F15	F16	F17	F18	F19	F20	F21	F22	F23	F24	F25
	GND6	DP	GND6	DP	GND6	DP	GND6	DP	GND6	DP	GND6	DP	GND6	DP	GND6	DP	GND6	DP	GND6	DP	GND6	DP	GND6	DP	GND6
J2	A1	A2	A3	A4	A5	A6	A7	A8	A9	A10	A11	A12	A13	A14	A15	A16	A17	A18	A19	A20	A21	A22	A23	A24	A25
ALL GROUNDS ARE COMMON WITHIN A ROW AND TIED TO CABLE SHIELD																									
ON THE MATING BOARD ASSEMBLY, SAMTEC RECOMMENDS IMPLEMENTING A GND REFERENCE TYING ALL GND'S TOGETHER																									

ARP6-DP-025-06-XX-X-T-X-X SIGNAL MAPPING																									
POSITIONS																									
J1	A1	A2	A3	A4	A5	A6	A7	A8	A9	A10	A11	A12	A13	A14	A15	A16	A17	A18	A19	A20	A21	A22	A23	A24	A25
	GND1	DP	GND1	DP	GND1	DP	GND1	DP	GND1	DP	GND1	DP	GND1	DP	GND1	DP	GND1	DP	GND1	DP	GND1	DP	GND1	DP	GND1
J2	A25	A24	A23	A22	A21	A20	A19	A18	A17	A16	A15	A14	A13	A12	A11	A10	A9	A8	A7	A6	A5	A4	A3	A2	A1
J1	B1	B2	B3	B4	B5	B6	B7	B8	B9	B10	B11	B12	B13	B14	B15	B16	B17	B18	B19	B20	B21	B22	B23	B24	B25
	GND2	DP	GND2	DP	GND2	DP	GND2	DP	GND2	DP	GND2	DP	GND2	DP	GND2	DP	GND2	DP	GND2	DP	GND2	DP	GND2	DP	GND2
J2	B25	B24	B23	B22	B21	B20	B19	B18	B17	B16	B15	B14	B13	B12	B11	B10	B9	B8	B7	B6	B5	B4	B3	B2	B1
J1	C1	C2	C3	C4	C5	C6	C7	C8	C9	C10	C11	C12	C13	C14	C15	C16	C17	C18	C19	C20	C21	C22	C23	C24	C25
	GND3	DP	GND3	DP	GND3	DP	GND3	DP	GND3	DP	GND3	DP	GND3	DP	GND3	DP	GND3	DP	GND3	DP	GND3	DP	GND3	DP	GND3
J2	C25	C24	C23	C22	C21	C20	C19	C18	C17	C16	C15	C14	C13	C12	C11	C10	C9	C8	C7	C6	C5	C4	C3	C2	C1
J1	D1	D2	D3	D4	D5	D6	D7	D8	D9	D10	D11	D12	D13	D14	D15	D16	D17	D18	D19	D20	D21	D22	D23	D24	D25
	GND4	DP	GND4	DP	GND4	DP	GND4	DP	GND4	DP	GND4	DP	GND4	DP	GND4	DP	GND4	DP	GND4	DP	GND4	DP	GND4	DP	GND4
J2	D25	D24	D23	D22	D21	D20	D19	D18	D17	D16	D15	D14	D13	D12	D11	D10	D9	D8	D7	D6	D5	D4	D3	D2	D1
J1	E1	E2	E3	E4	E5	E6	E7	E8	E9	E10	E11	E12	E13	E14	E15	E16	E17	E18	E19	E20	E21	E22	E23	E24	E25
	GND5	DP	GND5	DP	GND5	DP	GND5	DP	GND5	DP	GND5	DP	GND5	DP	GND5	DP	GND5	DP	GND5	DP	GND5	DP	GND5	DP	GND5
J2	E25	E24	E23	E22	E21	E20	E19	E18	E17	E16	E15	E14	E13	E12	E11	E10	E9	E8	E7	E6	E5	E4	E3	E2	E1
J1	F1	F2	F3	F4	F5	F6	F7	F8	F9	F10	F11	F12	F13	F14	F15	F16	F17	F18	F19	F20	F21	F22	F23	F24	F25
	GND6	DP	GND6	DP	GND6	DP	GND6	DP	GND6	DP	GND6	DP	GND6	DP	GND6	DP	GND6	DP	GND6	DP	GND6	DP	GND6	DP	GND6
J2	F25	F24	F23	F22	F21	F20	F19	F18	F17	F16	F15	F14	F13	F12	F11	F10	F9	F8	F7	F6	F5	F4	F3	F2	F1
ALL GROUNDS ARE COMMON WITHIN A ROW AND TIED TO CABLE SHIELD																									
ON THE MATING BOARD ASSEMBLY, SAMTEC RECOMMENDS IMPLEMENTING A GND REFERENCE TYING ALL GND'S TOGETHER																									

PROPRIETARY NOTE
 THIS DOCUMENT CONTAINS CONFIDENTIAL AND PROPRIETARY INFORMATION AND ALL DESIGN, MANUFACTURING, REPRODUCTION, USE, PATENT RIGHTS AND SALES RIGHTS ARE EXPRESSLY RESERVED BY SAMTEC, INC. THIS DOCUMENT SHALL NOT BE DISCLOSED, IN WHOLE OR PART, TO ANY UNAUTHORIZED PERSON OR ENTITY NOR REPRODUCED, TRANSFERRED OR INCORPORATED IN ANY OTHER PROJECT IN ANY MANNER WITHOUT THE EXPRESS WRITTEN CONSENT OF SAMTEC, INC.

SHEET SCALE: 3:2



520 PARK EAST BLVD, NEW ALBANY, IN 47150
 PHONE: 812-944-6733 FAX: 812-948-5047
 e-Mail info@SAMTEC.com code 55322

DESCRIPTION: ARP6 CABLE ASSEMBLY
 DWG. NO. ARP6-XX-XXX-XX-XX.X-X-X-X
 BY: JACK Z 09/14/2021 SHEET 7 OF 24

ARP6-DP-025-08-XX-X-B-X-X SIGNAL MAPPING

POSITIONS																									
J1	A1	A2	A3	A4	A5	A6	A7	A8	A9	A10	A11	A12	A13	A14	A15	A16	A17	A18	A19	A20	A21	A22	A23	A24	A25
	GND1	DP	GND1	DP	GND1	DP	GND1	DP	GND1	DP	GND1	DP	GND1	DP	GND1	DP	GND1	DP	GND1	DP	GND1	DP	GND1	DP	GND1
J2	H1	H2	H3	H4	H5	H6	H7	H8	H9	H10	H11	H12	H13	H14	H15	H16	H17	H18	H19	H20	H21	H22	H23	H24	H25
J1	B1	B2	B3	B4	B5	B6	B7	B8	B9	B10	B11	B12	B13	B14	B15	B16	B17	B18	B19	B20	B21	B22	B23	B24	B25
	GND2	DP	GND2	DP	GND2	DP	GND2	DP	GND2	DP	GND2	DP	GND2	DP	GND2	DP	GND2	DP	GND2	DP	GND2	DP	GND2	DP	GND2
J2	G1	G2	G3	G4	G5	G6	G7	G8	G9	G10	G11	G12	G13	G14	G15	G16	G17	G18	G19	G20	G21	G22	G23	G24	G25
J1	C1	C2	C3	C4	C5	C6	C7	C8	C9	C10	C11	C12	C13	C14	C15	C16	C17	C18	C19	C20	C21	C22	C23	C24	C25
	GND3	DP	GND3	DP	GND3	DP	GND3	DP	GND3	DP	GND3	DP	GND3	DP	GND3	DP	GND3	DP	GND3	DP	GND3	DP	GND3	DP	GND3
J2	F1	F2	F3	F4	F5	F6	F7	F8	F9	F10	F11	F12	F13	F14	F15	F16	F17	F18	F19	F20	F21	F22	F23	F24	F25
J1	D1	D2	D3	D4	D5	D6	D7	D8	D9	D10	D11	D12	D13	D14	D15	D16	D17	D18	D19	D20	D21	D22	D23	D24	D25
	GND4	DP	GND4	DP	GND4	DP	GND4	DP	GND4	DP	GND4	DP	GND4	DP	GND4	DP	GND4	DP	GND4	DP	GND4	DP	GND4	DP	GND4
J2	E1	E2	E3	E4	E5	E6	E7	E8	E9	E10	E11	E12	E13	E14	E15	E16	E17	E18	E19	E20	E21	E22	E23	E24	E25
J1	E1	E2	E3	E4	E5	E6	E7	E8	E9	E10	E11	E12	E13	E14	E15	E16	E17	E18	E19	E20	E21	E22	E23	E24	E25
	GND5	DP	GND5	DP	GND5	DP	GND5	DP	GND5	DP	GND5	DP	GND5	DP	GND5	DP	GND5	DP	GND5	DP	GND5	DP	GND5	DP	GND5
J2	D1	D2	D3	D4	D5	D6	D7	D8	D9	D10	D11	D12	D13	D14	D15	D16	D17	D18	D19	D20	D21	D22	D23	D24	D25
J1	F1	F2	F3	F4	F5	F6	F7	F8	F9	F10	F11	F12	F13	F14	F15	F16	F17	F18	F19	F20	F21	F22	F23	F24	F25
	GND6	DP	GND6	DP	GND6	DP	GND6	DP	GND6	DP	GND6	DP	GND6	DP	GND6	DP	GND6	DP	GND6	DP	GND6	DP	GND6	DP	GND6
J2	C1	C2	C3	C4	C5	C6	C7	C8	C9	C10	C11	C12	C13	C14	C15	C16	C17	C18	C19	C20	C21	C22	C23	C24	C25
J1	G1	G2	G3	G4	G5	G6	G7	G8	G9	G10	G11	G12	G13	G14	G15	G16	G17	G18	G19	G20	G21	G22	G23	G24	G25
	GND5	DP	GND5	DP	GND5	DP	GND5	DP	GND5	DP	GND5	DP	GND5	DP	GND5	DP	GND5	DP	GND5	DP	GND5	DP	GND5	DP	GND5
J2	B1	B2	B3	B4	B5	B6	B7	B8	B9	B10	B11	B12	B13	B14	B15	B16	B17	B18	B19	B20	B21	B22	B23	B24	B25
J1	H1	H2	H3	H4	H5	H6	H7	H8	H9	H10	H11	H12	H13	H14	H15	H16	H17	H18	H19	H20	H21	H22	H23	H24	H25
	GND6	DP	GND6	DP	GND6	DP	GND6	DP	GND6	DP	GND6	DP	GND6	DP	GND6	DP	GND6	DP	GND6	DP	GND6	DP	GND6	DP	GND6
J2	A1	A2	A3	A4	A5	A6	A7	A8	A9	A10	A11	A12	A13	A14	A15	A16	A17	A18	A19	A20	A21	A22	A23	A24	A25

ALL GROUNDS ARE COMMON WITHIN A ROW AND TIED TO CABLE SHIELD

ON THE MATING BOARD ASSEMBLY, SAMTEC RECOMMENDS IMPLEMENTING A GND REFERENCE TYING ALL GND'S TOGETHER

ARP6-DP-025-08-XX-X-T-X-X SIGNAL MAPPING

POSITIONS																									
J1	A1	A2	A3	A4	A5	A6	A7	A8	A9	A10	A11	A12	A13	A14	A15	A16	A17	A18	A19	A20	A21	A22	A23	A24	A25
	GND1	DP	GND1	DP	GND1	DP	GND1	DP	GND1	DP	GND1	DP	GND1	DP	GND1	DP	GND1	DP	GND1	DP	GND1	DP	GND1	DP	GND1
J2	A25	A24	A23	A22	A21	A20	A19	A18	A17	A16	A15	A14	A13	A12	A11	A10	A9	A8	A7	A6	A5	A4	A3	A2	A1
J1	B1	B2	B3	B4	B5	B6	B7	B8	B9	B10	B11	B12	B13	B14	B15	B16	B17	B18	B19	B20	B21	B22	B23	B24	B25
	GND2	DP	GND2	DP	GND2	DP	GND2	DP	GND2	DP	GND2	DP	GND2	DP	GND2	DP	GND2	DP	GND2	DP	GND2	DP	GND2	DP	GND2
J2	B25	B24	B23	B22	B21	B20	B19	B18	B17	B16	B15	B14	B13	B12	B11	B10	B9	B8	B7	B6	B5	B4	B3	B2	B1
J1	C1	C2	C3	C4	C5	C6	C7	C8	C9	C10	C11	C12	C13	C14	C15	C16	C17	C18	C19	C20	C21	C22	C23	C24	C25
	GND3	DP	GND3	DP	GND3	DP	GND3	DP	GND3	DP	GND3	DP	GND3	DP	GND3	DP	GND3	DP	GND3	DP	GND3	DP	GND3	DP	GND3
J2	C25	C24	C23	C22	C21	C20	C19	C18	C17	C16	C15	C14	C13	C12	C11	C10	C9	C8	C7	C6	C5	C4	C3	C2	C1
J1	D1	D2	D3	D4	D5	D6	D7	D8	D9	D10	D11	D12	D13	D14	D15	D16	D17	D18	D19	D20	D21	D22	D23	D24	D25
	GND4	DP	GND4	DP	GND4	DP	GND4	DP	GND4	DP	GND4	DP	GND4	DP	GND4	DP	GND4	DP	GND4	DP	GND4	DP	GND4	DP	GND4
J2	D25	D24	D23	D22	D21	D20	D19	D18	D17	D16	D15	D14	D13	D12	D11	D10	D9	D8	D7	D6	D5	D4	D3	D2	D1
J1	E1	E2	E3	E4	E5	E6	E7	E8	E9	E10	E11	E12	E13	E14	E15	E16	E17	E18	E19	E20	E21	E22	E23	E24	E25
	GND5	DP	GND5	DP	GND5	DP	GND5	DP	GND5	DP	GND5	DP	GND5	DP	GND5	DP	GND5	DP	GND5	DP	GND5	DP	GND5	DP	GND5
J2	E25	E24	E23	E22	E21	E20	E19	E18	E17	E16	E15	E14	E13	E12	E11	E10	E9	E8	E7	E6	E5	E4	E3	E2	E1
J1	F1	F2	F3	F4	F5	F6	F7	F8	F9	F10	F11	F12	F13	F14	F15	F16	F17	F18	F19	F20	F21	F22	F23	F24	F25
	GND6	DP	GND6	DP	GND6	DP	GND6	DP	GND6	DP	GND6	DP	GND6	DP	GND6	DP	GND6	DP	GND6	DP	GND6	DP	GND6	DP	GND6
J2	F25	F24	F23	F22	F21	F20	F19	F18	F17	F16	F15	F14	F13	F12	F11	F10	F9	F8	F7	F6	F5	F4	F3	F2	F1
J1	G1	G2	G3	G4	G5	G6	G7	G8	G9	G10	G11	G12	G13	G14	G15	G16	G17	G18	G19	G20	G21	G22	G23	G24	G25
	GND5	DP	GND5	DP	GND5	DP	GND5	DP	GND5	DP	GND5	DP	GND5	DP	GND5	DP	GND5	DP	GND5	DP	GND5	DP	GND5	DP	GND5
J2	G25	G24	G23	G22	G21	G20	G19	G18	G17	G16	G15	G14	G13	G12	G11	G10	G9	G8	G7	G6	G5	G4	G3	G2	G1
J1	H1	H2	H3	H4	H5	H6	H7	H8	H9	H10	H11	H12	H13	H14	H15	H16	H17	H18	H19	H20	H21	H22	H23	H24	H25
	GND6	DP	GND6	DP	GND6	DP	GND6	DP	GND6	DP	GND6	DP	GND6	DP	GND6	DP	GND6	DP	GND6	DP	GND6	DP	GND6	DP	GND6
J2	H25	H24	H23	H22	H21	H20	H19	H18	H17	H16	H15	H14	H13	H12	H11	H10	H9	H8	H7	H6	H5	H4	H3	H2	H1

ALL GROUNDS ARE COMMON WITHIN A ROW AND TIED TO CABLE SHIELD

ON THE MATING BOARD ASSEMBLY, SAMTEC RECOMMENDS IMPLEMENTING A GND REFERENCE TYING ALL GND'S TOGETHER

PROPRIETARY NOTE
 THIS DOCUMENT IS UNCLASSIFIED AND NOT FOR PUBLICATION. IT IS THE PROPERTY OF SAMTEC AND IS LOANED TO YOU BY SAMTEC. IT IS TO BE USED ONLY FOR THE PROJECT AND NOT FOR REPRODUCTION OR DISTRIBUTION. IT IS TO BE DESTROYED OR RECYCLED WHEN NO LONGER NEEDED. IT IS NOT TO BE REPRODUCED OR TRANSMITTED IN ANY FORM OR BY ANY MEANS, ELECTRONIC OR MECHANICAL, INCLUDING PHOTOCOPYING, RECORDING, OR BY ANY INFORMATION STORAGE AND RETRIEVAL SYSTEM. WITHOUT PERMISSION IN WRITING FROM SAMTEC, INC.



520 PARK EAST BLVD, NEW ALBANY, IN 47150
 PHONE: 812-944-6733 FAX: 812-948-5047
 e-Mail: info@SAMTEC.com code 55322

SHEET SCALE: 3:2
 DO NOT SCALE DRAWING

DESCRIPTION: ARP6 CABLE ASSEMBLY
 DWG. NO. ARP6-XX-XXX-XX-XX.X-X-X-X

BY: JACK Z 09/14/2021 SHEET 8 OF 24

ARP6-DP-037-06-XX-X-B-X-X SIGNAL MAPPING

POSITIONS

J1	A1	A2	A3	A4	A5	A6	A7	A8	A9	A10	A11	A12	A13	A14	A15	A16	A17	A18	A19	A20	A21	A22	A23	A24	A25	A26	A27	A28	A29	A30	A31	A32	A33	A34	A35	A36	A37
	GND	DP	GND	DP	GND	DP	GND	DP	GND	DP	GND	DP	GND	DP	GND	DP	GND	DP	GND	DP	GND	DP	GND	DP	GND	DP	GND	DP	GND	DP	GND	DP	GND	DP	GND	DP	GND
J2	F1	F2	F3	F4	F5	F6	F7	F8	F9	F10	F11	F12	F13	F14	F15	F16	F17	F18	F19	F20	F21	F22	F23	F24	F25	F26	F27	F28	F29	F30	F31	F32	F33	F34	F35	F36	F37
J1	B1	B2	B3	B4	B5	B6	B7	B8	B9	B10	B11	B12	B13	B14	B15	B16	B17	B18	B19	B20	B21	B22	B23	B24	B25	B26	B27	B28	B29	B30	B31	B32	B33	B34	B35	B36	B37
	GND	DP	GND	DP	GND	DP	GND	DP	GND	DP	GND	DP	GND	DP	GND	DP	GND	DP	GND	DP	GND	DP	GND	DP	GND	DP	GND	DP	GND	DP	GND	DP	GND	DP	GND	DP	GND
J2	E1	E2	E3	E4	E5	E6	E7	E8	E9	E10	E11	E12	E13	E14	E15	E16	E17	E18	E19	E20	E21	E22	E23	E24	E25	E26	E27	E28	E29	E30	E31	E32	E33	E34	E35	E36	E37
J1	C1	C2	C3	C4	C5	C6	C7	C8	C9	C10	C11	C12	C13	C14	C15	C16	C17	C18	C19	C20	C21	C22	C23	C24	C25	C26	C27	C28	C29	C30	C31	C32	C33	C34	C35	C36	C37
	GND	DP	GND	DP	GND	DP	GND	DP	GND	DP	GND	DP	GND	DP	GND	DP	GND	DP	GND	DP	GND	DP	GND	DP	GND	DP	GND	DP	GND	DP	GND	DP	GND	DP	GND	DP	GND
J2	D1	D2	D3	D4	D5	D6	D7	D8	D9	D10	D11	D12	D13	D14	D15	D16	D17	D18	D19	D20	D21	D22	D23	D24	D25	D26	D27	D28	D29	D30	D31	D32	D33	D34	D35	D36	D37
J1	D1	D2	D3	D4	D5	D6	D7	D8	D9	D10	D11	D12	D13	D14	D15	D16	D17	D18	D19	D20	D21	D22	D23	D24	D25	D26	D27	D28	D29	D30	D31	D32	D33	D34	D35	D36	D37
	GND	DP	GND	DP	GND	DP	GND	DP	GND	DP	GND	DP	GND	DP	GND	DP	GND	DP	GND	DP	GND	DP	GND	DP	GND	DP	GND	DP	GND	DP	GND	DP	GND	DP	GND	DP	GND
J2	C1	C2	C3	C4	C5	C6	C7	C8	C9	C10	C11	C12	C13	C14	C15	C16	C17	C18	C19	C20	C21	C22	C23	C24	C25	C26	C27	C28	C29	C30	C31	C32	C33	C34	C35	C36	C37
J1	E1	E2	E3	E4	E5	E6	E7	E8	E9	E10	E11	E12	E13	E14	E15	E16	E17	E18	E19	E20	E21	E22	E23	E24	E25	E26	E27	E28	E29	E30	E31	E32	E33	E34	E35	E36	E37
	GND	DP	GND	DP	GND	DP	GND	DP	GND	DP	GND	DP	GND	DP	GND	DP	GND	DP	GND	DP	GND	DP	GND	DP	GND	DP	GND	DP	GND	DP	GND	DP	GND	DP	GND	DP	GND
J2	B1	B2	B3	B4	B5	B6	B7	B8	B9	B10	B11	B12	B13	B14	B15	B16	B17	B18	B19	B20	B21	B22	B23	B24	B25	B26	B27	B28	B29	B30	B31	B32	B33	B34	B35	B36	B37
J1	F1	F2	F3	F4	F5	F6	F7	F8	F9	F10	F11	F12	F13	F14	F15	F16	F17	F18	F19	F20	F21	F22	F23	F24	F25	F26	F27	F28	F29	F30	F31	F32	F33	F34	F35	F36	F37
	GND	DP	GND	DP	GND	DP	GND	DP	GND	DP	GND	DP	GND	DP	GND	DP	GND	DP	GND	DP	GND	DP	GND	DP	GND	DP	GND	DP	GND	DP	GND	DP	GND	DP	GND	DP	GND
J2	A1	A2	A3	A4	A5	A6	A7	A8	A9	A10	A11	A12	A13	A14	A15	A16	A17	A18	A19	A20	A21	A22	A23	A24	A25	A26	A27	A28	A29	A30	A31	A32	A33	A34	A35	A36	A37

ALL GROUNDS ARE COMMON WITHIN A ROW AND TIED TO CABLE SHIELD
ON THE MATING BOARD ASSEMBLY, SAMTEC RECOMMENDS IMPLEMENTING A GND REFERENCE TYING ALL GND'S TOGETHER

ARP6-DP-037-06-XXX-T-X-X SIGNAL MAPPING

POSITIONS

J1	A1	A2	A3	A4	A5	A6	A7	A8	A9	A10	A11	A12	A13	A14	A15	A16	A17	A18	A19	A20	A21	A22	A23	A24	A25	A26	A27	A28	A29	A30	A31	A32	A33	A34	A35	A36	A37
	GND	DP	GND	DP	GND	DP	GND	DP	GND	DP	GND	DP	GND	DP	GND	DP	GND	DP	GND	DP	GND	DP	GND	DP	GND	DP	GND	DP	GND	DP	GND	DP	GND	DP	GND	DP	GND
J2	A37	A36	A35	A34	A33	A32	A31	A30	A29	A28	A27	A26	A25	A24	A23	A22	A21	A20	A19	A18	A17	A16	A15	A14	A13	A12	A11	A10	A9	A8	A7	A6	A5	A4	A3	A2	A1
J1	B1	B2	B3	B4	B5	B6	B7	B8	B9	B10	B11	B12	B13	B14	B15	B16	B17	B18	B19	B20	B21	B22	B23	B24	B25	B26	B27	B28	B29	B30	B31	B32	B33	B34	B35	B36	B37
	GND	DP	GND	DP	GND	DP	GND	DP	GND	DP	GND	DP	GND	DP	GND	DP	GND	DP	GND	DP	GND	DP	GND	DP	GND	DP	GND	DP	GND	DP	GND	DP	GND	DP	GND	DP	GND
J2	B37	B36	B35	B34	B33	B32	B31	B30	B29	B28	B27	B26	B25	B24	B23	B22	B21	B20	B19	B18	B17	B16	B15	B14	B13	B12	B11	B10	B9	B8	B7	B6	B5	B4	B3	B2	B1
J1	C1	C2	C3	C4	C5	C6	C7	C8	C9	C10	C11	C12	C13	C14	C15	C16	C17	C18	C19	C20	C21	C22	C23	C24	C25	C26	C27	C28	C29	C30	C31	C32	C33	C34	C35	C36	C37
	GND	DP	GND	DP	GND	DP	GND	DP	GND	DP	GND	DP	GND	DP	GND	DP	GND	DP	GND	DP	GND	DP	GND	DP	GND	DP	GND	DP	GND	DP	GND	DP	GND	DP	GND	DP	GND
J2	C37	C36	C35	C34	C33	C32	C31	C30	C29	C28	C27	C26	C25	C24	C23	C22	C21	C20	C19	C18	C17	C16	C15	C14	C13	C12	C11	C10	C9	C8	C7	C6	C5	C4	C3	C2	C1
J1	D1	D2	D3	D4	D5	D6	D7	D8	D9	D10	D11	D12	D13	D14	D15	D16	D17	D18	D19	D20	D21	D22	D23	D24	D25	D26	D27	D28	D29	D30	D31	D32	D33	D34	D35	D36	D37
	GND	DP	GND	DP	GND	DP	GND	DP	GND	DP	GND	DP	GND	DP	GND	DP	GND	DP	GND	DP	GND	DP	GND	DP	GND	DP	GND	DP	GND	DP	GND	DP	GND	DP	GND	DP	GND
J2	D37	D36	D35	D34	D33	D32	D31	D30	D29	D28	D27	D26	D25	D24	D23	D22	D21	D20	D19	D18	D17	D16	D15	D14	D13	D12	D11	D10	D9	D8	D7	D6	D5	D4	D3	D2	D1
J1	E1	E2	E3	E4	E5	E6	E7	E8	E9	E10	E11	E12	E13	E14	E15	E16	E17	E18	E19	E20	E21	E22	E23	E24	E25	E26	E27	E28	E29	E30	E31	E32	E33	E34	E35	E36	E37
	GND	DP	GND	DP	GND	DP	GND	DP	GND	DP	GND	DP	GND	DP	GND	DP	GND	DP	GND	DP	GND	DP	GND	DP	GND	DP	GND	DP	GND	DP	GND	DP	GND	DP	GND	DP	GND
J2	E37	E36	E35	E34	E33	E32	E31	E30	E29	E28	E27	E26	E25	E24	E23	E22	E21	E20	E19	E18	E17	E16	E15	E14	E13	E12	E11	E10	E9	E8	E7	E6	E5	E4	E3	E2	E1
J1	F1	F2	F3	F4	F5	F6	F7	F8	F9	F10	F11	F12	F13	F14	F15	F16	F17	F18	F19	F20	F21	F22	F23	F24	F25	F26	F27	F28	F29	F30	F31	F32	F33	F34	F35	F36	F37
	GND	DP	GND	DP	GND	DP	GND	DP	GND	DP	GND	DP	GND	DP	GND	DP	GND	DP	GND	DP	GND	DP	GND	DP	GND	DP	GND	DP	GND	DP	GND	DP	GND	DP	GND	DP	GND
J2	F37	F36	F35	F34	F33	F32	F31	F30	F29	F28	F27	F26	F25	F24	F23	F22	F21	F20	F19	F18	F17	F16	F15	F14	F13	F12	F11	F10	F9	F8	F7	F6	F5	F4	F3	F2	F1

ALL GROUNDS ARE COMMON WITHIN A ROW AND TIED TO CABLE SHIELD
ON THE MATING BOARD ASSEMBLY, SAMTEC RECOMMENDS IMPLEMENTING A GND REFERENCE TYING ALL GND'S TOGETHER

PROPRIETARY NOTE

THIS DOCUMENT CONTAINS CONFIDENTIAL AND PROPRIETARY INFORMATION AND ALL DESIGN, MANUFACTURING, REPRODUCTION, USE, PATENT RIGHTS AND SALES RIGHTS ARE EXPRESSLY RESERVED BY SAMTEC, INC. THIS DOCUMENT SHALL NOT BE DISCLOSED, IN WHOLE OR PART, TO ANY UNAUTHORIZED PERSON OR ENTITY NOR REPRODUCED, TRANSFERRED OR INCORPORATED IN ANY OTHER PROJECT IN ANY MANNER WITHOUT THE EXPRESS WRITTEN CONSENT OF SAMTEC, INC.



520 PARK EAST BLVD, NEW ALBANY, IN 47150
PHONE: 812-944-6733 FAX: 812-948-5047
e-Mail info@SAMTEC.com code 55322

SHEET SCALE: 3:2

DESCRIPTION: ARP6 CABLE ASSEMBLY

DWG. NO. ARP6-XX-XXX-XX-XX.X-X-X-X

BY: JACK Z 09/14/2021 SHEET 10 OF 24

ARP6-SE-025-04-XX-X-B-X-X SIGNAL MAPPING																									
POSITIONS																									
J1	A1	A2	A3	A4	A5	A6	A7	A8	A9	A10	A11	A12	A13	A14	A15	A16	A17	A18	A19	A20	A21	A22	A23	A24	A25
	GND1	SE	GND1	SE	GND1	SE	GND1	SE	GND1	SE	GND1	SE	GND1	SE	GND1	SE	GND1	SE	GND1	SE	GND1	SE	GND1	SE	GND1
J2	D1	D2	D3	D4	D5	D6	D7	D8	D9	D10	D11	D12	D13	D14	D15	D16	D17	D18	D19	D20	D21	D22	D23	D24	D25
J1	B1	B2	B3	B4	B5	B6	B7	B8	B9	B10	B11	B12	B13	B14	B15	B16	B17	B18	B19	B20	B21	B22	B23	B24	B25
	GND2	SE	GND2	SE	GND2	SE	GND2	SE	GND2	SE	GND2	SE	GND2	SE	GND2	SE	GND2	SE	GND2	SE	GND2	SE	GND2	SE	GND2
J2	C1	C2	C3	C4	C5	C6	C7	C8	C9	C10	C11	C12	C13	C14	C15	C16	C17	C18	C19	C20	C21	C22	C23	C24	C25
J1	C1	C2	C3	C4	C5	C6	C7	C8	C9	C10	C11	C12	C13	C14	C15	C16	C17	C18	C19	C20	C21	C22	C23	C24	C25
	GND3	SE	GND3	SE	GND3	SE	GND3	SE	GND3	SE	GND3	SE	GND3	SE	GND3	SE	GND3	SE	GND3	SE	GND3	SE	GND3	SE	GND3
J2	B1	B2	B3	B4	B5	B6	B7	B8	B9	B10	B11	B12	B13	B14	B15	B16	B17	B18	B19	B20	B21	B22	B23	B24	B25
J1	D1	D2	D3	D4	D5	D6	D7	D8	D9	D10	D11	D12	D13	D14	D15	D16	D17	D18	D19	D20	D21	D22	D23	D24	D25
	GND4	SE	GND4	SE	GND4	SE	GND4	SE	GND4	SE	GND4	SE	GND4	SE	GND4	SE	GND4	SE	GND4	SE	GND4	SE	GND4	SE	GND4
J2	A1	A2	A3	A4	A5	A6	A7	A8	A9	A10	A11	A12	A13	A14	A15	A16	A17	A18	A19	A20	A21	A22	A23	A24	A25
ALL GROUNDS ARE COMMON WITHIN A ROW AND TIED TO CABLE SHIELD																									
ON THE MATING BOARD ASSEMBLY, SAMTEC RECOMMENDS IMPLEMENTING A GND1 REFERENCE TYING ALL GND1'S TOGETHER																									

ARP6-SE-025-04-XX-X-T-X-X SIGNAL MAPPING																									
POSITIONS																									
J1	A1	A2	A3	A4	A5	A6	A7	A8	A9	A10	A11	A12	A13	A14	A15	A16	A17	A18	A19	A20	A21	A22	A23	A24	A25
	GND1	SE	GND1	SE	GND1	SE	GND1	SE	GND1	SE	GND1	SE	GND1	SE	GND1	SE	GND1	SE	GND1	SE	GND1	SE	GND1	SE	GND1
J2	A25	A24	A23	A22	A21	A20	A19	A18	A17	A16	A15	A14	A13	A12	A11	A10	A9	A8	A7	A6	A5	A4	A3	A2	A1
J1	B1	B2	B3	B4	B5	B6	B7	B8	B9	B10	B11	B12	B13	B14	B15	B16	B17	B18	B19	B20	B21	B22	B23	B24	B25
	GND2	SE	GND2	SE	GND2	SE	GND2	SE	GND2	SE	GND2	SE	GND2	SE	GND2	SE	GND2	SE	GND2	SE	GND2	SE	GND2	SE	GND2
J2	B25	B24	B23	B22	B21	B20	B19	B18	B17	B16	B15	B14	B13	B12	B11	B10	B9	B8	B7	B6	B5	B4	B3	B2	B1
J1	C1	C2	C3	C4	C5	C6	C7	C8	C9	C10	C11	C12	C13	C14	C15	C16	C17	C18	C19	C20	C21	C22	C23	C24	C25
	GND3	SE	GND3	SE	GND3	SE	GND3	SE	GND3	SE	GND3	SE	GND3	SE	GND3	SE	GND3	SE	GND3	SE	GND3	SE	GND3	SE	GND3
J2	C25	C24	C23	C22	C21	C20	C19	C18	C17	C16	C15	C14	C13	C12	C11	C10	C9	C8	C7	C6	C5	C4	C3	C2	C1
J1	D1	D2	D3	D4	D5	D6	D7	D8	D9	D10	D11	D12	D13	D14	D15	D16	D17	D18	D19	D20	D21	D22	D23	D24	D25
	GND4	SE	GND4	SE	GND4	SE	GND4	SE	GND4	SE	GND4	SE	GND4	SE	GND4	SE	GND4	SE	GND4	SE	GND4	SE	GND4	SE	GND4
J2	D25	D24	D23	D22	D21	D20	D19	D18	D17	D16	D15	D14	D13	D12	D11	D10	D9	D8	D7	D6	D5	D4	D3	D2	D1
ALL GROUNDS ARE COMMON WITHIN A ROW AND TIED TO CABLE SHIELD																									
ON THE MATING BOARD ASSEMBLY, SAMTEC RECOMMENDS IMPLEMENTING A GND REFERENCE TYING ALL GND'S TOGETHER																									

PROPRIETARY NOTE
 THIS DOCUMENT CONTAINS CONFIDENTIAL AND PROPRIETARY INFORMATION AND ALL DESIGN, MANUFACTURING, REPRODUCTION, USE, PATENT RIGHTS AND SALES RIGHTS ARE EXPRESSLY RESERVED BY SAMTEC, INC. THIS DOCUMENT SHALL NOT BE DISCLOSED, IN WHOLE OR PART, TO ANY UNAUTHORIZED PERSON OR ENTITY NOR REPRODUCED, TRANSFERRED OR INCORPORATED IN ANY OTHER PROJECT IN ANY MANNER WITHOUT THE EXPRESS WRITTEN CONSENT OF SAMTEC, INC.



520 PARK EAST BLVD, NEW ALBANY, IN 47150
 PHONE: 812-944-6733 FAX: 812-948-5047
 e-Mail info@SAMTEC.com code 55322

SHEET SCALE: 3:2

DESCRIPTION: ARP6 CABLE ASSEMBLY
 DWG. NO. ARP6-XX-XXX-XX-XX.X-X-X-X
 BY: JACK Z 09/14/2021 SHEET 12 OF 24

ARP6-SE-025-06-XX-X-B-X-X SIGNAL MAPPING

POSITIONS																									
J1	A1	A2	A3	A4	A5	A6	A7	A8	A9	A10	A11	A12	A13	A14	A15	A16	A17	A18	A19	A20	A21	A22	A23	A24	A25
	GND1	SE	GND1	SE	GND1	SE	GND1	SE	GND1	SE	GND1	SE	GND1	SE	GND1	SE	GND1	SE	GND1	SE	GND1	SE	GND1	SE	GND1
J2	F1	F2	F3	F4	F5	F6	F7	F8	F9	F10	F11	F12	F13	F14	F15	F16	F17	F18	F19	F20	F21	F22	F23	F24	F25
J1	B1	B2	B3	B4	B5	B6	B7	B8	B9	B10	B11	B12	B13	B14	B15	B16	B17	B18	B19	B20	B21	B22	B23	B24	B25
	GND2	SE	GND2	SE	GND2	SE	GND2	SE	GND2	SE	GND2	SE	GND2	SE	GND2	SE	GND2	SE	GND2	SE	GND2	SE	GND2	SE	GND2
J2	E1	E2	E3	E4	E5	E6	E7	E8	E9	E10	E11	E12	E13	E14	E15	E16	E17	E18	E19	E20	E21	E22	E23	E24	E25
J1	C1	C2	C3	C4	C5	C6	C7	C8	C9	C10	C11	C12	C13	C14	C15	C16	C17	C18	C19	C20	C21	C22	C23	C24	C25
	GND3	SE	GND3	SE	GND3	SE	GND3	SE	GND3	SE	GND3	SE	GND3	SE	GND3	SE	GND3	SE	GND3	SE	GND3	SE	GND3	SE	GND3
J2	D1	D2	D3	D4	D5	D6	D7	D8	D9	D10	D11	D12	D13	D14	D15	D16	D17	D18	D19	D20	D21	D22	D23	D24	D25
J1	D1	D2	D3	D4	D5	D6	D7	D8	D9	D10	D11	D12	D13	D14	D15	D16	D17	D18	D19	D20	D21	D22	D23	D24	D25
	GND4	SE	GND4	SE	GND4	SE	GND4	SE	GND4	SE	GND4	SE	GND4	SE	GND4	SE	GND4	SE	GND4	SE	GND4	SE	GND4	SE	GND4
J2	C1	C2	C3	C4	C5	C6	C7	C8	C9	C10	C11	C12	C13	C14	C15	C16	C17	C18	C19	C20	C21	C22	C23	C24	C25
J1	E1	E2	E3	E4	E5	E6	E7	E8	E9	E10	E11	E12	E13	E14	E15	E16	E17	E18	E19	E20	E21	E22	E23	E24	E25
	GND5	SE	GND5	SE	GND5	SE	GND5	SE	GND5	SE	GND5	SE	GND5	SE	GND5	SE	GND5	SE	GND5	SE	GND5	SE	GND5	SE	GND5
J2	B1	B2	B3	B4	B5	B6	B7	B8	B9	B10	B11	B12	B13	B14	B15	B16	B17	B18	B19	B20	B21	B22	B23	B24	B25
J1	F1	F2	F3	F4	F5	F6	F7	F8	F9	F10	F11	F12	F13	F14	F15	F16	F17	F18	F19	F20	F21	F22	F23	F24	F25
	GND6	SE	GND6	SE	GND6	SE	GND6	SE	GND6	SE	GND6	SE	GND6	SE	GND6	SE	GND6	SE	GND6	SE	GND6	SE	GND6	SE	GND6
J2	A1	A2	A3	A4	A5	A6	A7	A8	A9	A10	A11	A12	A13	A14	A15	A16	A17	A18	A19	A20	A21	A22	A23	A24	A25

ALL GROUNDS ARE COMMON WITHIN A ROW AND TIED TO CABLE SHIELD
ON THE MATING BOARD ASSEMBLY, SAMTEC RECOMMENDS IMPLEMENTING A GND REFERENCE TYING ALL GND'S TOGETHER

ARP6-SE-025-06-XX-X-T-X-X SIGNAL MAPPING

POSITIONS																									
J1	A1	A2	A3	A4	A5	A6	A7	A8	A9	A10	A11	A12	A13	A14	A15	A16	A17	A18	A19	A20	A21	A22	A23	A24	A25
	GND1	SE	GND1	SE	GND1	SE	GND1	SE	GND1	SE	GND1	SE	GND1	SE	GND1	SE	GND1	SE	GND1	SE	GND1	SE	GND1	SE	GND1
J2	A25	A24	A23	A22	A21	A20	A19	A18	A17	A16	A15	A14	A13	A12	A11	A10	A9	A8	A7	A6	A5	A4	A3	A2	A1
J1	B1	B2	B3	B4	B5	B6	B7	B8	B9	B10	B11	B12	B13	B14	B15	B16	B17	B18	B19	B20	B21	B22	B23	B24	B25
	GND2	SE	GND2	SE	GND2	SE	GND2	SE	GND2	SE	GND2	SE	GND2	SE	GND2	SE	GND2	SE	GND2	SE	GND2	SE	GND2	SE	GND2
J2	B25	B24	B23	B22	B21	B20	B19	B18	B17	B16	B15	B14	B13	B12	B11	B10	B9	B8	B7	B6	B5	B4	B3	B2	B1
J1	C1	C2	C3	C4	C5	C6	C7	C8	C9	C10	C11	C12	C13	C14	C15	C16	C17	C18	C19	C20	C21	C22	C23	C24	C25
	GND3	SE	GND3	SE	GND3	SE	GND3	SE	GND3	SE	GND3	SE	GND3	SE	GND3	SE	GND3	SE	GND3	SE	GND3	SE	GND3	SE	GND3
J2	C25	C24	C23	C22	C21	C20	C19	C18	C17	C16	C15	C14	C13	C12	C11	C10	C9	C8	C7	C6	C5	C4	C3	C2	C1
J1	D1	D2	D3	D4	D5	D6	D7	D8	D9	D10	D11	D12	D13	D14	D15	D16	D17	D18	D19	D20	D21	D22	D23	D24	D25
	GND4	SE	GND4	SE	GND4	SE	GND4	SE	GND4	SE	GND4	SE	GND4	SE	GND4	SE	GND4	SE	GND4	SE	GND4	SE	GND4	SE	GND4
J2	D25	D24	D23	D22	D21	D20	D19	D18	D17	D16	D15	D14	D13	D12	D11	D10	D9	D8	D7	D6	D5	D4	D3	D2	D1
J1	E1	E2	E3	E4	E5	E6	E7	E8	E9	E10	E11	E12	E13	E14	E15	E16	E17	E18	E19	E20	E21	E22	E23	E24	E25
	GND5	SE	GND5	SE	GND5	SE	GND5	SE	GND5	SE	GND5	SE	GND5	SE	GND5	SE	GND5	SE	GND5	SE	GND5	SE	GND5	SE	GND5
J2	E25	E24	E23	E22	E21	E20	E19	E18	E17	E16	E15	E14	E13	E12	E11	E10	E9	E8	E7	E6	E5	E4	E3	E2	E1
J1	F1	F2	F3	F4	F5	F6	F7	F8	F9	F10	F11	F12	F13	F14	F15	F16	F17	F18	F19	F20	F21	F22	F23	F24	F25
	GND6	SE	GND6	SE	GND6	SE	GND6	SE	GND6	SE	GND6	SE	GND6	SE	GND6	SE	GND6	SE	GND6	SE	GND6	SE	GND6	SE	GND6
J2	F25	F24	F23	F22	F21	F20	F19	F18	F17	F16	F15	F14	F13	F12	F11	F10	F9	F8	F7	F6	F5	F4	F3	F2	F1

ALL GROUNDS ARE COMMON WITHIN A ROW AND TIED TO CABLE SHIELD
ON THE MATING BOARD ASSEMBLY, SAMTEC RECOMMENDS IMPLEMENTING A GND REFERENCE TYING ALL GND'S TOGETHER

PROPRIETARY NOTE
THIS DOCUMENT CONTAINS CONFIDENTIAL AND PROPRIETARY INFORMATION AND ALL DESIGN, MANUFACTURING, REPRODUCTION, USE, PATENT RIGHTS AND SALES RIGHTS ARE EXPRESSLY RESERVED BY SAMTEC, INC. THIS DOCUMENT SHALL NOT BE DISCLOSED, IN WHOLE OR PART, TO ANY UNAUTHORIZED PERSON OR ENTITY NOR REPRODUCED, TRANSFERRED OR INCORPORATED IN ANY OTHER PROJECT IN ANY MANNER WITHOUT THE EXPRESS WRITTEN CONSENT OF SAMTEC, INC.



520 PARK EAST BLVD, NEW ALBANY, IN 47150
PHONE: 812-944-6733 FAX: 812-948-5047
e-Mail: info@SAMTEC.com code 55322

SHEET SCALE: 3:2

DESCRIPTION: ARP6 CABLE ASSEMBLY
DWG. NO. ARP6-XX-XXX-XX-XX.X-X-X-X
BY: JACK Z 09/14/2021 SHEET 13 OF 24

ARP6-SE-025-08-XX.X-B-X-X SIGNAL MAPPING																									
POSITIONS																									
J1	A1	A2	A3	A4	A5	A6	A7	A8	A9	A10	A11	A12	A13	A14	A15	A16	A17	A18	A19	A20	A21	A22	A23	A24	A25
	GND1	SE	GND1	SE	GND1	SE	GND1	SE	GND1	SE	GND1	SE	GND1	SE	GND1	SE	GND1	SE	GND1	SE	GND1	SE	GND1	SE	GND1
J2	H1	H2	H3	H4	H5	H6	H7	H8	H9	H10	H11	H12	H13	H14	H15	H16	H17	H18	H19	H20	H21	H22	H23	H24	H25
J1	B1	B2	B3	B4	B5	B6	B7	B8	B9	B10	B11	B12	B13	B14	B15	B16	B17	B18	B19	B20	B21	B22	B23	B24	B25
	GND2	SE	GND2	SE	GND2	SE	GND2	SE	GND2	SE	GND2	SE	GND2	SE	GND2	SE	GND2	SE	GND2	SE	GND2	SE	GND2	SE	GND2
J2	G1	G2	G3	G4	G5	G6	G7	G8	G9	G10	G11	G12	G13	G14	G15	G16	G17	G18	G19	G20	G21	G22	G23	G24	G25
J1	C1	C2	C3	C4	C5	C6	C7	C8	C9	C10	C11	C12	C13	C14	C15	C16	C17	C18	C19	C20	C21	C22	C23	C24	C25
	GND3	SE	GND3	SE	GND3	SE	GND3	SE	GND3	SE	GND3	SE	GND3	SE	GND3	SE	GND3	SE	GND3	SE	GND3	SE	GND3	SE	GND3
J2	F1	F2	F3	F4	F5	F6	F7	F8	F9	F10	F11	F12	F13	F14	F15	F16	F17	F18	F19	F20	F21	F22	F23	F24	F25
J1	D1	D2	D3	D4	D5	D6	D7	D8	D9	D10	D11	D12	D13	D14	D15	D16	D17	D18	D19	D20	D21	D22	D23	D24	D25
	GND4	SE	GND4	SE	GND4	SE	GND4	SE	GND4	SE	GND4	SE	GND4	SE	GND4	SE	GND4	SE	GND4	SE	GND4	SE	GND4	SE	GND4
J2	E1	E2	E3	E4	E5	E6	E7	E8	E9	E10	E11	E12	E13	E14	E15	E16	E17	E18	E19	E20	E21	E22	E23	E24	E25
J1	E1	E2	E3	E4	E5	E6	E7	E8	E9	E10	E11	E12	E13	E14	E15	E16	E17	E18	E19	E20	E21	E22	E23	E24	E25
	GND5	SE	GND5	SE	GND5	SE	GND5	SE	GND5	SE	GND5	SE	GND5	SE	GND5	SE	GND5	SE	GND5	SE	GND5	SE	GND5	SE	GND5
J2	D1	D2	D3	D4	D5	D6	D7	D8	D9	D10	D11	D12	D13	D14	D15	D16	D17	D18	D19	D20	D21	D22	D23	D24	D25
J1	F1	F2	F3	F4	F5	F6	F7	F8	F9	F10	F11	F12	F13	F14	F15	F16	F17	F18	F19	F20	F21	F22	F23	F24	F25
	GND6	SE	GND6	SE	GND6	SE	GND6	SE	GND6	SE	GND6	SE	GND6	SE	GND6	SE	GND6	SE	GND6	SE	GND6	SE	GND6	SE	GND6
J2	C1	C2	C3	C4	C5	C6	C7	C8	C9	C10	C11	C12	C13	C14	C15	C16	C17	C18	C19	C20	C21	C22	C23	C24	C25
J1	G1	G2	G3	G4	G5	G6	G7	G8	G9	G10	G11	G12	G13	G14	G15	G16	G17	G18	G19	G20	G21	G22	G23	G24	G25
	GND5	SE	GND5	SE	GND5	SE	GND5	SE	GND5	SE	GND5	SE	GND5	SE	GND5	SE	GND5	SE	GND5	SE	GND5	SE	GND5	SE	GND5

ARP6-SE-025-08-XX.X-T-X-X SIGNAL MAPPING																									
POSITIONS																									
J1	A1	A2	A3	A4	A5	A6	A7	A8	A9	A10	A11	A12	A13	A14	A15	A16	A17	A18	A19	A20	A21	A22	A23	A24	A25
	GND1	SE	GND1	SE	GND1	SE	GND1	SE	GND1	SE	GND1	SE	GND1	SE	GND1	SE	GND1	SE	GND1	SE	GND1	SE	GND1	SE	GND1
J2	A25	A24	A23	A22	A21	A20	A19	A18	A17	A16	A15	A14	A13	A12	A11	A10	A9	A8	A7	A6	A5	A4	A3	A2	A1
J1	B1	B2	B3	B4	B5	B6	B7	B8	B9	B10	B11	B12	B13	B14	B15	B16	B17	B18	B19	B20	B21	B22	B23	B24	B25
	GND2	SE	GND2	SE	GND2	SE	GND2	SE	GND2	SE	GND2	SE	GND2	SE	GND2	SE	GND2	SE	GND2	SE	GND2	SE	GND2	SE	GND2
J2	B25	B24	B23	B22	B21	B20	B19	B18	B17	B16	B15	B14	B13	B12	B11	B10	B9	B8	B7	B6	B5	B4	B3	B2	B1
J1	C1	C2	C3	C4	C5	C6	C7	C8	C9	C10	C11	C12	C13	C14	C15	C16	C17	C18	C19	C20	C21	C22	C23	C24	C25
	GND3	SE	GND3	SE	GND3	SE	GND3	SE	GND3	SE	GND3	SE	GND3	SE	GND3	SE	GND3	SE	GND3	SE	GND3	SE	GND3	SE	GND3
J2	C25	C24	C23	C22	C21	C20	C19	C18	C17	C16	C15	C14	C13	C12	C11	C10	C9	C8	C7	C6	C5	C4	C3	C2	C1
J1	D1	D2	D3	D4	D5	D6	D7	D8	D9	D10	D11	D12	D13	D14	D15	D16	D17	D18	D19	D20	D21	D22	D23	D24	D25
	GND4	SE	GND4	SE	GND4	SE	GND4	SE	GND4	SE	GND4	SE	GND4	SE	GND4	SE	GND4	SE	GND4	SE	GND4	SE	GND4	SE	GND4
J2	D25	D24	D23	D22	D21	D20	D19	D18	D17	D16	D15	D14	D13	D12	D11	D10	D9	D8	D7	D6	D5	D4	D3	D2	D1
J1	E1	E2	E3	E4	E5	E6	E7	E8	E9	E10	E11	E12	E13	E14	E15	E16	E17	E18	E19	E20	E21	E22	E23	E24	E25
	GND5	SE	GND5	SE	GND5	SE	GND5	SE	GND5	SE	GND5	SE	GND5	SE	GND5	SE	GND5	SE	GND5	SE	GND5	SE	GND5	SE	GND5
J2	E25	E24	E23	E22	E21	E20	E19	E18	E17	E16	E15	E14	E13	E12	E11	E10	E9	E8	E7	E6	E5	E4	E3	E2	E1
J1	F1	F2	F3	F4	F5	F6	F7	F8	F9	F10	F11	F12	F13	F14	F15	F16	F17	F18	F19	F20	F21	F22	F23	F24	F25
	GND6	SE	GND6	SE	GND6	SE	GND6	SE	GND6	SE	GND6	SE	GND6	SE	GND6	SE	GND6	SE	GND6	SE	GND6	SE	GND6	SE	GND6
J2	F25	F24	F23	F22	F21	F20	F19	F18	F17	F16	F15	F14	F13	F12	F11	F10	F9	F8	F7	F6	F5	F4	F3	F2	F1
J1	G1	G2	G3	G4	G5	G6	G7	G8	G9	G10	G11	G12	G13	G14	G15	G16	G17	G18	G19	G20	G21	G22	G23	G24	G25
	GND5	SE	GND5	SE	GND5	SE	GND5	SE	GND5	SE	GND5	SE	GND5	SE	GND5	SE	GND5	SE	GND5	SE	GND5	SE	GND5	SE	GND5
J2	G25	G24	G23	G22	G21	G20	G19	G18	G17	G16	G15	G14	G13	G12	G11	G10	G9	G8	G7	G6	G5	G4	G3	G2	G1
J1	H1	H2	H3	H4	H5	H6	H7	H8	H9	H10	H11	H12	H13	H14	H15	H16	H17	H18	H19	H20	H21	H22	H23	H24	H25
	GND6	SE	GND6	SE	GND6	SE	GND6	SE	GND6	SE	GND6	SE	GND6	SE	GND6	SE	GND6	SE	GND6	SE	GND6	SE	GND6	SE	GND6
J2	H25	H24	H23	H22	H21	H20	H19	H18	H17	H16	H15	H14	H13	H12	H11	H10	H9	H8	H7	H6	H5	H4	H3	H2	H1

ALL GROUNDS ARE COMMON WITHIN A ROW AND TIED TO CABLE SHIELD
ON THE MATING BOARD ASSEMBLY. SAMTEC RECOMMENDS IMPLEMENTING A GND REFERENCE TYING ALL GNDS TOGETHER

PROPRIETARY NOTE
 THIS DOCUMENT CONTAINS CONFIDENTIAL AND PROPRIETARY INFORMATION AND ALL DESIGN, MANUFACTURING, REPRODUCTION, USE, PATENT RIGHTS AND SALES RIGHTS ARE EXPRESSLY RESERVED BY SAMTEC, INC. THIS DOCUMENT SHALL NOT BE DISCLOSED, IN WHOLE OR PART, TO ANY UNAUTHORIZED PERSON OR ENTITY NOR REPRODUCED, TRANSFERRED OR INCORPORATED IN ANY OTHER PROJECT IN ANY MANNER WITHOUT THE EXPRESS WRITTEN CONSENT OF SAMTEC, INC.



520 PARK EAST BLVD, NEW ALBANY, IN 47150
 PHONE: 812-944-6733 FAX: 812-948-5047
 e-Mail info@SAMTEC.com code 53322

SHEET SCALE: 3:2

DESCRIPTION: ARP6 CABLE ASSEMBLY
 DWG. NO. ARP6-XX-XXX-XX-XX.X-X-X-X
 BY: JACK Z 09/14/2021 SHEET 14 OF 24

ARP6-SE-037-04-XX.X-B-X-X SIGNAL MAPPING

POSITIONS

J1	A1	A2	A3	A4	A5	A6	A7	A8	A9	A10	A11	A12	A13	A14	A15	A16	A17	A18	A19	A20	A21	A22	A23	A24	A25	A26	A27	A28	A29	A30	A31	A32	A33	A34	A35	A36	A37		
	GND1	SE	GND1	SE	GND1	SE	GND1	SE	GND1	SE	GND1	SE	GND1	SE	GND1	SE	GND1	SE	GND1	SE	GND1	SE	GND1	SE	GND1	SE	GND1	SE	GND1	SE	GND1	SE	GND1	SE	GND1	SE	GND1	SE	GND1
J2	D1	D2	D3	D4	D5	D6	D7	D8	D9	D10	D11	D12	D13	D14	D15	D16	D17	D18	D19	D20	D21	D22	D23	D24	D25	D26	D27	D28	D29	D30	D31	D32	D33	D34	D35	D36	D37		
J1	B1	B2	B3	B4	B5	B6	B7	B8	B9	B10	B11	B12	B13	B14	B15	B16	B17	B18	B19	B20	B21	B22	B23	B24	B25	B26	B27	B28	B29	B30	B31	B32	B33	B34	B35	B36	B37		
	GND2	SE	GND2	SE	GND2	SE	GND2	SE	GND2	SE	GND2	SE	GND2	SE	GND2	SE	GND2	SE	GND2	SE	GND2	SE	GND2	SE	GND2	SE	GND2	SE	GND2	SE	GND2	SE	GND2	SE	GND2	SE	GND2	SE	GND2
J2	C1	C2	C3	C4	C5	C6	C7	C8	C9	C10	C11	C12	C13	C14	C15	C16	C17	C18	C19	C20	C21	C22	C23	C24	C25	C26	C27	C28	C29	C30	C31	C32	C33	C34	C35	C36	C37		
J1	C1	C2	C3	C4	C5	C6	C7	C8	C9	C10	C11	C12	C13	C14	C15	C16	C17	C18	C19	C20	C21	C22	C23	C24	C25	C26	C27	C28	C29	C30	C31	C32	C33	C34	C35	C36	C37		
	GND3	SE	GND3	SE	GND3	SE	GND3	SE	GND3	SE	GND3	SE	GND3	SE	GND3	SE	GND3	SE	GND3	SE	GND3	SE	GND3	SE	GND3	SE	GND3	SE	GND3	SE	GND3	SE	GND3	SE	GND3	SE	GND3	SE	GND3
J2	B1	B2	B3	B4	B5	B6	B7	B8	B9	B10	B11	B12	B13	B14	B15	B16	B17	B18	B19	B20	B21	B22	B23	B24	B25	B26	B27	B28	B29	B30	B31	B32	B33	B34	B35	B36	B37		
J1	D1	D2	D3	D4	D5	D6	D7	D8	D9	D10	D11	D12	D13	D14	D15	D16	D17	D18	D19	D20	D21	D22	D23	D24	D25	D26	D27	D28	D29	D30	D31	D32	D33	D34	D35	D36	D37		
	GND4	SE	GND4	SE	GND4	SE	GND4	SE	GND4	SE	GND4	SE	GND4	SE	GND4	SE	GND4	SE	GND4	SE	GND4	SE	GND4	SE	GND4	SE	GND4	SE	GND4	SE	GND4	SE	GND4	SE	GND4	SE	GND4	SE	GND4
J2	A1	A2	A3	A4	A5	A6	A7	A8	A9	A10	A11	A12	A13	A14	A15	A16	A17	A18	A19	A20	A21	A22	A23	A24	A25	A26	A27	A28	A29	A30	A31	A32	A33	A34	A35	A36	A37		

ALL GROUNDS ARE COMMON WITHIN A ROW AND TIED TO CABLE SHIELD

ON THE MATING BOARD ASSEMBLY, SAMTEC RECOMMENDS IMPLEMENTING A GND REFERENCE TYING ALL GND'S TOGETHER

ARP6-SE-037-04-XX.X-T-X-X SIGNAL MAPPING

POSITIONS

J1	A1	A2	A3	A4	A5	A6	A7	A8	A9	A10	A11	A12	A13	A14	A15	A16	A17	A18	A19	A20	A21	A22	A23	A24	A25	A26	A27	A28	A29	A30	A31	A32	A33	A34	A35	A36	A37		
	GND1	SE	GND1	SE	GND1	SE	GND1	SE	GND1	SE	GND1	SE	GND1	SE	GND1	SE	GND1	SE	GND1	SE	GND1	SE	GND1	SE	GND1	SE	GND1	SE	GND1	SE	GND1	SE	GND1	SE	GND1	SE	GND1	SE	GND1
J2	A37	A36	A35	A34	A33	A32	A31	A30	A29	A28	A27	A26	A25	A24	A23	A22	A21	A20	A19	A18	A17	A16	A15	A14	A13	A12	A11	A10	A9	A8	A7	A6	A5	A4	A3	A2	A1		
J1	B1	B2	B3	B4	B5	B6	B7	B8	B9	B10	B11	B12	B13	B14	B15	B16	B17	B18	B19	B20	B21	B22	B23	B24	B25	B26	B27	B28	B29	B30	B31	B32	B33	B34	B35	B36	B37		
	GND2	SE	GND2	SE	GND2	SE	GND2	SE	GND2	SE	GND2	SE	GND2	SE	GND2	SE	GND2	SE	GND2	SE	GND2	SE	GND2	SE	GND2	SE	GND2	SE	GND2	SE	GND2	SE	GND2	SE	GND2	SE	GND2	SE	GND2
J2	B37	B36	B35	B34	B33	B32	B31	B30	B29	B28	B27	B26	B25	B24	B23	B22	B21	B20	B19	B18	B17	B16	B15	B14	B13	B12	B11	B10	B9	B8	B7	B6	B5	B4	B3	B2	B1		
J1	C1	C2	C3	C4	C5	C6	C7	C8	C9	C10	C11	C12	C13	C14	C15	C16	C17	C18	C19	C20	C21	C22	C23	C24	C25	C26	C27	C28	C29	C30	C31	C32	C33	C34	C35	C36	C37		
	GND3	SE	GND3	SE	GND3	SE	GND3	SE	GND3	SE	GND3	SE	GND3	SE	GND3	SE	GND3	SE	GND3	SE	GND3	SE	GND3	SE	GND3	SE	GND3	SE	GND3	SE	GND3	SE	GND3	SE	GND3	SE	GND3	SE	GND3
J2	C37	C36	C35	C34	C33	C32	C31	C30	C29	C28	C27	C26	C25	C24	C23	C22	C21	C20	C19	C18	C17	C16	C15	C14	C13	C12	C11	C10	C9	C8	C7	C6	C5	C4	C3	C2	C1		
J1	D1	D2	D3	D4	D5	D6	D7	D8	D9	D10	D11	D12	D13	D14	D15	D16	D17	D18	D19	D20	D21	D22	D23	D24	D25	D26	D27	D28	D29	D30	D31	D32	D33	D34	D35	D36	D37		
	GND4	SE	GND4	SE	GND4	SE	GND4	SE	GND4	SE	GND4	SE	GND4	SE	GND4	SE	GND4	SE	GND4	SE	GND4	SE	GND4	SE	GND4	SE	GND4	SE	GND4	SE	GND4	SE	GND4	SE	GND4	SE	GND4	SE	GND4
J2	D37	D36	D35	D34	D33	D32	D31	D30	D29	D28	D27	D26	D25	D24	D23	D22	D21	D20	D19	D18	D17	D16	D15	D14	D13	D12	D11	D10	D9	D8	D7	D6	D5	D4	D3	D2	D1		

ALL GROUNDS ARE COMMON WITHIN A ROW AND TIED TO CABLE SHIELD

ON THE MATING BOARD ASSEMBLY, SAMTEC RECOMMENDS IMPLEMENTING A GND REFERENCE TYING ALL GND'S TOGETHER

PROPRIETARY NOTE

THIS DOCUMENT CONTAINS CONFIDENTIAL AND PROPRIETARY INFORMATION AND ALL DESIGN, MANUFACTURING, REPRODUCTION, USE, PATENT RIGHTS AND SALES RIGHTS ARE EXPRESSLY RESERVED BY SAMTEC, INC. THIS DOCUMENT SHALL NOT BE DISCLOSED, IN WHOLE OR PART, TO ANY UNAUTHORIZED PERSON OR ENTITY NOR REPRODUCED, TRANSFERRED OR INCORPORATED IN ANY OTHER PROJECT IN ANY MANNER WITHOUT THE EXPRESS WRITTEN CONSENT OF SAMTEC, INC.



520 PARK EAST BLVD, NEW ALBANY, IN 47150
 PHONE: 812-944-6733 FAX: 812-948-5047
 e-Mail: info@SAMTEC.com code 55322

SHEET SCALE: 3:2

DESCRIPTION: ARP6 CABLE ASSEMBLY

DWG. NO. ARP6-XX-XXX-XX-XX.X-X-X-X

BY: JACK Z 09/14/2021 SHEET 15 OF 24

ARP6-SE-037-06-XX-X-B-X-X SIGNAL MAPPING																																							
POSITIONS																																							
J1	A1	A2	A3	A4	A5	A6	A7	A8	A9	A10	A11	A12	A13	A14	A15	A16	A17	A18	A19	A20	A21	A22	A23	A24	A25	A26	A27	A28	A29	A30	A31	A32	A33	A34	A35	A36	A37		
	GND1	SE	GND1	SE	GND1	SE	GND1	SE	GND1	SE	GND1	SE	GND1	SE	GND1	SE	GND1	SE	GND1	SE	GND1	SE	GND1	SE	GND1	SE	GND1	SE	GND1	SE	GND1	SE	GND1	SE	GND1	SE	GND1	SE	GND1
J2	F1	F2	F3	F4	F5	F6	F7	F8	F9	F10	F11	F12	F13	F14	F15	F16	F17	F18	F19	F20	F21	F22	F23	F24	F25	F26	F27	F28	F29	F30	F31	F32	F33	F34	F35	F36	F37		
J1	B1	B2	B3	B4	B5	B6	B7	B8	B9	B10	B11	B12	B13	B14	B15	B16	B17	B18	B19	B20	B21	B22	B23	B24	B25	B26	B27	B28	B29	B30	B31	B32	B33	B34	B35	B36	B37		
	E1	E2	E3	E4	E5	E6	E7	E8	E9	E10	E11	E12	E13	E14	E15	E16	E17	E18	E19	E20	E21	E22	E23	E24	E25	E26	E27	E28	E29	E30	E31	E32	E33	E34	E35	E36	E37		
J1	C1	C2	C3	C4	C5	C6	C7	C8	C9	C10	C11	C12	C13	C14	C15	C16	C17	C18	C19	C20	C21	C22	C23	C24	C25	C26	C27	C28	C29	C30	C31	C32	C33	C34	C35	C36	C37		
	GND3	SE	GND3	SE	GND3	SE	GND3	SE	GND3	SE	GND3	SE	GND3	SE	GND3	SE	GND3	SE	GND3	SE	GND3	SE	GND3	SE	GND3	SE	GND3	SE	GND3	SE	GND3	SE	GND3	SE	GND3	SE	GND3		
J2	D1	D2	D3	D4	D5	D6	D7	D8	D9	D10	D11	D12	D13	D14	D15	D16	D17	D18	D19	D20	D21	D22	D23	D24	D25	D26	D27	D28	D29	D30	D31	D32	D33	D34	D35	D36	D37		
J1	D1	D2	D3	D4	D5	D6	D7	D8	D9	D10	D11	D12	D13	D14	D15	D16	D17	D18	D19	D20	D21	D22	D23	D24	D25	D26	D27	D28	D29	D30	D31	D32	D33	D34	D35	D36	D37		
	GND4	SE	GND4	SE	GND4	SE	GND4	SE	GND4	SE	GND4	SE	GND4	SE	GND4	SE	GND4	SE	GND4	SE	GND4	SE	GND4	SE	GND4	SE	GND4	SE	GND4	SE	GND4	SE	GND4	SE	GND4	SE	GND4		
J2	C1	C2	C3	C4	C5	C6	C7	C8	C9	C10	C11	C12	C13	C14	C15	C16	C17	C18	C19	C20	C21	C22	C23	C24	C25	C26	C27	C28	C29	C30	C31	C32	C33	C34	C35	C36	C37		
J1	E1	E2	E3	E4	E5	E6	E7	E8	E9	E10	E11	E12	E13	E14	E15	E16	E17	E18	E19	E20	E21	E22	E23	E24	E25	E26	E27	E28	E29	E30	E31	E32	E33	E34	E35	E36	E37		
	GND5	SE	GND5	SE	GND5	SE	GND5	SE	GND5	SE	GND5	SE	GND5	SE	GND5	SE	GND5	SE	GND5	SE	GND5	SE	GND5	SE	GND5	SE	GND5	SE	GND5	SE	GND5	SE	GND5	SE	GND5	SE	GND5		
J2	B1	B2	B3	B4	B5	B6	B7	B8	B9	B10	B11	B12	B13	B14	B15	B16	B17	B18	B19	B20	B21	B22	B23	B24	B25	B26	B27	B28	B29	B30	B31	B32	B33	B34	B35	B36	B37		
J1	F1	F2	F3	F4	F5	F6	F7	F8	F9	F10	F11	F12	F13	F14	F15	F16	F17	F18	F19	F20	F21	F22	F23	F24	F25	F26	F27	F28	F29	F30	F31	F32	F33	F34	F35	F36	F37		
	GND6	SE	GND6	SE	GND6	SE	GND6	SE	GND6	SE	GND6	SE	GND6	SE	GND6	SE	GND6	SE	GND6	SE	GND6	SE	GND6	SE	GND6	SE	GND6	SE	GND6	SE	GND6	SE	GND6	SE	GND6	SE	GND6		
J2	A1	A2	A3	A4	A5	A6	A7	A8	A9	A10	A11	A12	A13	A14	A15	A16	A17	A18	A19	A20	A21	A22	A23	A24	A25	A26	A27	A28	A29	A30	A31	A32	A33	A34	A35	A36	A37		

ALL GROUNDS ARE COMMON WITHIN A ROW AND TIED TO CABLE SHIELD
ON THE MATING BOARD ASSEMBLY, SAMTEC RECOMMENDS IMPLEMENTING A GND REFERENCE TYING ALL GND'S TOGETHER

ARP6-SE-037-06-XX-X-T-X-X SIGNAL MAPPING																																					
POSITIONS																																					
J1	A1	A2	A3	A4	A5	A6	A7	A8	A9	A10	A11	A12	A13	A14	A15	A16	A17	A18	A19	A20	A21	A22	A23	A24	A25	A26	A27	A28	A29	A30	A31	A32	A33	A34	A35	A36	A37
	GND1	SE	GND1	SE	GND1	SE	GND1	SE	GND1	SE	GND1	SE	GND1	SE	GND1	SE	GND1	SE	GND1	SE	GND1	SE	GND1	SE	GND1	SE	GND1	SE	GND1	SE	GND1	SE	GND1	SE	GND1	SE	GND1
J2	A37	A36	A35	A34	A33	A32	A31	A30	A29	A28	A27	A26	A25	A24	A23	A22	A21	A20	A19	A18	A17	A16	A15	A14	A13	A12	A11	A10	A9	A8	A7	A6	A5	A4	A3	A2	A1
J1	B1	B2	B3	B4	B5	B6	B7	B8	B9	B10	B11	B12	B13	B14	B15	B16	B17	B18	B19	B20	B21	B22	B23	B24	B25	B26	B27	B28	B29	B30	B31	B32	B33	B34	B35	B36	B37
	GND2	SE	GND2	SE	GND2	SE	GND2	SE	GND2	SE	GND2	SE	GND2	SE	GND2	SE	GND2	SE	GND2	SE	GND2	SE	GND2	SE	GND2	SE	GND2	SE	GND2	SE	GND2	SE	GND2	SE	GND2	SE	GND2
J2	B37	B36	B35	B34	B33	B32	B31	B30	B29	B28	B27	B26	B25	B24	B23	B22	B21	B20	B19	B18	B17	B16	B15	B14	B13	B12	B11	B10	B9	B8	B7	B6	B5	B4	B3	B2	B1
J1	C1	C2	C3	C4	C5	C6	C7	C8	C9	C10	C11	C12	C13	C14	C15	C16	C17	C18	C19	C20	C21	C22	C23	C24	C25	C26	C27	C28	C29	C30	C31	C32	C33	C34	C35	C36	C37
	GND3	SE	GND3	SE	GND3	SE	GND3	SE	GND3	SE	GND3	SE	GND3	SE	GND3	SE	GND3	SE	GND3	SE	GND3	SE	GND3	SE	GND3	SE	GND3	SE	GND3	SE	GND3	SE	GND3	SE	GND3	SE	GND3
J2	C37	C36	C35	C34	C33	C32	C31	C30	C29	C28	C27	C26	C25	C24	C23	C22	C21	C20	C19	C18	C17	C16	C15	C14	C13	C12	C11	C10	C9	C8	C7	C6	C5	C4	C3	C2	C1
J1	D1	D2	D3	D4	D5	D6	D7	D8	D9	D10	D11	D12	D13	D14	D15	D16	D17	D18	D19	D20	D21	D22	D23	D24	D25	D26	D27	D28	D29	D30	D31	D32	D33	D34	D35	D36	D37
	GND4	SE	GND4	SE	GND4	SE	GND4	SE	GND4	SE	GND4	SE	GND4	SE	GND4	SE	GND4	SE	GND4	SE	GND4	SE	GND4	SE	GND4	SE	GND4	SE	GND4	SE	GND4	SE	GND4	SE	GND4	SE	GND4
J2	D37	D36	D35	D34	D33	D32	D31	D30	D29	D28	D27	D26	D25	D24	D23	D22	D21	D20	D19	D18	D17	D16	D15	D14	D13	D12	D11	D10	D9	D8	D7	D6	D5	D4	D3	D2	D1
J1	E1	E2	E3	E4	E5	E6	E7	E8	E9	E10	E11	E12	E13	E14	E15	E16	E17	E18	E19	E20	E21	E22	E23	E24	E25	E26	E27	E28	E29	E30	E31	E32	E33	E34	E35	E36	E37
	GND5	SE	GND5	SE	GND5	SE	GND5	SE	GND5	SE	GND5	SE	GND5	SE	GND5	SE	GND5	SE	GND5	SE	GND5	SE	GND5	SE	GND5	SE	GND5	SE	GND5	SE	GND5	SE	GND5	SE	GND5	SE	GND5
J2	E37	E36	E35	E34	E33	E32	E31	E30	E29	E28	E27	E26	E25	E24	E23	E22	E21	E20	E19	E18	E17	E16	E15	E14	E13	E12	E11	E10	E9	E8	E7	E6	E5	E4	E3	E2	E1
J1	F1	F2	F3	F4	F5	F6	F7	F8	F9	F10	F11	F12	F13	F14	F15	F16	F17	F18	F19	F20	F21	F22	F23	F24	F25	F26	F27	F28	F29	F30	F31	F32	F33	F34	F35	F36	F37
	GND6	SE	GND6	SE	GND6	SE	GND6	SE	GND6	SE	GND6	SE	GND6	SE	GND6	SE	GND6	SE	GND6	SE	GND6	SE	GND6	SE	GND6	SE	GND6	SE	GND6	SE	GND6	SE	GND6	SE	GND6	SE	GND6
J2	F37	F36	F35	F34	F33	F32	F31	F30	F29	F28	F27	F26	F25	F24	F23	F22	F21	F20	F19	F18	F17	F16	F15	F14	F13	F12	F11	F10	F9	F8	F7	F6	F5	F4	F3	F2	F1

ALL GROUNDS ARE COMMON WITHIN A ROW AND TIED TO CABLE SHIELD
ON THE MATING BOARD ASSEMBLY, SAMTEC RECOMMENDS IMPLEMENTING A GND REFERENCE TYING ALL GND'S TOGETHER

PROPRIETARY NOTE

THIS DOCUMENT CONTAINS CONFIDENTIAL AND PROPRIETARY INFORMATION AND ALL DESIGN, MANUFACTURING, REPRODUCTION, USE, PATENT RIGHTS AND SALES RIGHTS ARE EXPRESSLY RESERVED BY SAMTEC, INC. THIS DOCUMENT SHALL NOT BE DISCLOSED, IN WHOLE OR PART, TO ANY UNAUTHORIZED PERSON OR ENTITY NOR REPRODUCED, TRANSFERRED OR INCORPORATED IN ANY OTHER PROJECT IN ANY MANNER WITHOUT THE EXPRESS WRITTEN CONSENT OF SAMTEC, INC.



520 PARK EAST BLVD, NEW ALBANY, IN 47150
PHONE: 812-944-6733 FAX: 812-948-5047
e-Mail info@SAMTEC.com code 55322

SHEET SCALE: 3:2

DESCRIPTION: ARP6 CABLE ASSEMBLY

DWG. NO. ARP6-XX-XXX-XX-XX.X-X-X-X

BY: JACK Z 09/14/2021 SHEET 16 OF 24

ARP6-DS-025-04-XX.X-B-X-X SIGNAL MAPPING																									
POSITIONS																									
J1	A1	A2	A3	A4	A5	A6	A7	A8	A9	A10	A11	A12	A13	A14	A15	A16	A17	A18	A19	A20	A21	A22	A23	A24	A25
	GND1	DP		GND1	DP		GND1	DP		GND1	DP		GND1	DP		GND1	DP		GND1	DP		GND1	DP		GND1
J2	D1	D2	D3	D4	D5	D6	D7	D8	D9	D10	D11	D12	D13	D14	D15	D16	D17	D18	D19	D20	D21	D22	D23	D24	D25
J1	B1	B2	B3	B4	B5	B6	B7	B8	B9	B10	B11	B12	B13	B14	B15	B16	B17	B18	B19	B20	B21	B22	B23	B24	B25
	GND2	DP		GND2	DP		GND2	DP		GND2	DP		GND2	DP		GND2	DP		GND2	DP		GND2	DP		GND2
J2	C1	C2	C3	C4	C5	C6	C7	C8	C9	C10	C11	C12	C13	C14	C15	C16	C17	C18	C19	C20	C21	C22	C23	C24	C25
J1	C1	C2	C3	C4	C5	C6	C7	C8	C9	C10	C11	C12	C13	C14	C15	C16	C17	C18	C19	C20	C21	C22	C23	C24	C25
	GND3	SE	GND3	SE	GND3	SE	GND3	SE	GND3	SE	GND3	SE	GND3	SE	GND3	SE	GND3	SE	GND3	SE	GND3	SE	GND3	SE	GND3
J2	B1	B2	B3	B4	B5	B6	B7	B8	B9	B10	B11	B12	B13	B14	B15	B16	B17	B18	B19	B20	B21	B22	B23	B24	B25
J1	D1	D2	D3	D4	D5	D6	D7	D8	D9	D10	D11	D12	D13	D14	D15	D16	D17	D18	D19	D20	D21	D22	D23	D24	D25
	GND4	SE	GND4	SE	GND4	SE	GND4	SE	GND4	SE	GND4	SE	GND4	SE	GND4	SE	GND4	SE	GND4	SE	GND4	SE	GND4	SE	GND4
J2	A1	A2	A3	A4	A5	A6	A7	A8	A9	A10	A11	A12	A13	A14	A15	A16	A17	A18	A19	A20	A21	A22	A23	A24	A25
ALL GROUNDS ARE COMMON WITHIN A ROW AND TIED TO CABLE SHIELD																									
ON THE MATING BOARD ASSEMBLY, SAMTEC RECOMMENDS IMPLEMENTING A GND REFERENCE TYING ALL GND'S TOGETHER																									

ARP6-DS-025-04-XX.X-T-X-X SIGNAL MAPPING																									
POSITIONS																									
J1	A1	A2	A3	A4	A5	A6	A7	A8	A9	A10	A11	A12	A13	A14	A15	A16	A17	A18	A19	A20	A21	A22	A23	A24	A25
	GND1	DP		GND1	DP		GND1	DP		GND1	DP		GND1	DP		GND1	DP		GND1	DP		GND1	DP		GND1
J2	A25	A24	A23	A22	A21	A20	A19	A18	A17	A16	A15	A14	A13	A12	A11	A10	A9	A8	A7	A6	A5	A4	A3	A2	A1
J1	B1	B2	B3	B4	B5	B6	B7	B8	B9	B10	B11	B12	B13	B14	B15	B16	B17	B18	B19	B20	B21	B22	B23	B24	B25
	GND2	DP		GND2	DP		GND2	DP		GND2	DP		GND2	DP		GND2	DP		GND2	DP		GND2	DP		GND2
J2	B25	B24	B23	B22	B21	B20	B19	B18	B17	B16	B15	B14	B13	B12	B11	B10	B9	B8	B7	B6	B5	B4	B3	B2	B1
J1	C1	C2	C3	C4	C5	C6	C7	C8	C9	C10	C11	C12	C13	C14	C15	C16	C17	C18	C19	C20	C21	C22	C23	C24	C25
	GND3	SE	GND3	SE	GND3	SE	GND3	SE	GND3	SE	GND3	SE	GND3	SE	GND3	SE	GND3	SE	GND3	SE	GND3	SE	GND3	SE	GND3
J2	C25	C24	C23	C22	C21	C20	C19	C18	C17	C16	C15	C14	C13	C12	C11	C10	C9	C8	C7	C6	C5	C4	C3	C2	C1
J1	D1	D2	D3	D4	D5	D6	D7	D8	D9	D10	D11	D12	D13	D14	D15	D16	D17	D18	D19	D20	D21	D22	D23	D24	D25
	GND4	SE	GND4	SE	GND4	SE	GND4	SE	GND4	SE	GND4	SE	GND4	SE	GND4	SE	GND4	SE	GND4	SE	GND4	SE	GND4	SE	GND4
J2	D25	D24	D23	D22	D21	D20	D19	D18	D17	D16	D15	D14	D13	D12	D11	D10	D9	D8	D7	D6	D5	D4	D3	D2	D1
ALL GROUNDS ARE COMMON WITHIN A ROW AND TIED TO CABLE SHIELD																									
ON THE MATING BOARD ASSEMBLY, SAMTEC RECOMMENDS IMPLEMENTING A GND REFERENCE TYING ALL GND'S TOGETHER																									

PROPRIETARY NOTE
 THIS DOCUMENT CONTAINS CONFIDENTIAL AND PROPRIETARY INFORMATION AND ALL DESIGN, MANUFACTURING, REPRODUCTION, USE, PATENT RIGHTS AND SALES RIGHTS ARE EXPRESSLY RESERVED BY SAMTEC, INC. THIS DOCUMENT SHALL NOT BE DISCLOSED, IN WHOLE OR PART, TO ANY UNAUTHORIZED PERSON OR ENTITY NOR REPRODUCED, TRANSFERRED OR INCORPORATED IN ANY OTHER PROJECT IN ANY MANNER WITHOUT THE EXPRESS WRITTEN CONSENT OF SAMTEC, INC.



520 PARK EAST BLVD, NEW ALBANY, IN 47150
 PHONE: 812-944-6733 FAX: 812-948-5047
 e-Mail: info@SAMTEC.com code 55322

SHEET SCALE: 3:2

DESCRIPTION: ARP6 CABLE ASSEMBLY
 DWG. NO. **ARP6-XX-XXX-XX-XX.X-X-X-X**
 BY: JACK Z 09/14/2021 SHEET 18 OF 24

ARP6-DS-025-06-XX.X-B-X-X SIGNAL MAPPING																									
POSITIONS																									
J1	A1	A2	A3	A4	A5	A6	A7	A8	A9	A10	A11	A12	A13	A14	A15	A16	A17	A18	A19	A20	A21	A22	A23	A24	A25
	GND1	DP		GND1	DP		GND1	DP		GND1	DP		GND1	DP		GND1	DP		GND1	DP		GND1	DP		GND1
J2	F1	F2	F3	F4	F5	F6	F7	F8	F9	F10	F11	F12	F13	F14	F15	F16	F17	F18	F19	F20	F21	F22	F23	F24	F25
J1	B1	B2	B3	B4	B5	B6	B7	B8	B9	B10	B11	B12	B13	B14	B15	B16	B17	B18	B19	B20	B21	B22	B23	B24	B25
	GND2	DP		GND2	DP		GND2	DP		GND2	DP		GND2	DP		GND2	DP		GND2	DP		GND2	DP		GND2
J2	E1	E2	E3	E4	E5	E6	E7	E8	E9	E10	E11	E12	E13	E14	E15	E16	E17	E18	E19	E20	E21	E22	E23	E24	E25
J1	C1	C2	C3	C4	C5	C6	C7	C8	C9	C10	C11	C12	C13	C14	C15	C16	C17	C18	C19	C20	C21	C22	C23	C24	C25
	GND3	DP		GND3	DP		GND3	DP		GND3	DP		GND3	DP		GND3	DP		GND3	DP		GND3	DP		GND3
J2	D1	D2	D3	D4	D5	D6	D7	D8	D9	D10	D11	D12	D13	D14	D15	D16	D17	D18	D19	D20	D21	D22	D23	D24	D25
J1	D1	D2	D3	D4	D5	D6	D7	D8	D9	D10	D11	D12	D13	D14	D15	D16	D17	D18	D19	D20	D21	D22	D23	D24	D25
	GND4	DP		GND4	DP		GND4	DP		GND4	DP		GND4	DP		GND4	DP		GND4	DP		GND4	DP		GND4
J2	C1	C2	C3	C4	C5	C6	C7	C8	C9	C10	C11	C12	C13	C14	C15	C16	C17	C18	C19	C20	C21	C22	C23	C24	C25
J1	E1	E2	E3	E4	E5	E6	E7	E8	E9	E10	E11	E12	E13	E14	E15	E16	E17	E18	E19	E20	E21	E22	E23	E24	E25
	GND5	SE	GND5	SE	GND5	SE	GND5	SE	GND5	SE	GND5	SE	GND5	SE	GND5	SE	GND5	SE	GND5	SE	GND5	SE	GND5	SE	GND5
J2	B1	B2	B3	B4	B5	B6	B7	B8	B9	B10	B11	B12	B13	B14	B15	B16	B17	B18	B19	B20	B21	B22	B23	B24	B25
J1	F1	F2	F3	F4	F5	F6	F7	F8	F9	F10	F11	F12	F13	F14	F15	F16	F17	F18	F19	F20	F21	F22	F23	F24	F25
	GND6	SE	GND6	SE	GND6	SE	GND6	SE	GND6	SE	GND6	SE	GND6	SE	GND6	SE	GND6	SE	GND6	SE	GND6	SE	GND6	SE	GND6
J2	A1	A2	A3	A4	A5	A6	A7	A8	A9	A10	A11	A12	A13	A14	A15	A16	A17	A18	A19	A20	A21	A22	A23	A24	A25
A LL GROUNDS ARE COMMON WITHIN A ROW AND TIED TO CA BLE SHIELD																									
ON THE MA TING BOA RD A SSEMBLY, SA MTEC RECOMMENDS IMPLMENTING A GND REFERENCE TY ING A LL GND'S TOGETHER																									

ARP6-DS-025-06-XX.X-T-X-X SIGNAL MAPPING																									
POSITIONS																									
J1	A1	A2	A3	A4	A5	A6	A7	A8	A9	A10	A11	A12	A13	A14	A15	A16	A17	A18	A19	A20	A21	A22	A23	A24	A25
	GND1	DP		GND1	DP		GND1	DP		GND1	DP		GND1	DP		GND1	DP		GND1	DP		GND1	DP		GND1
J2	A25	A24	A23	A22	A21	A20	A19	A18	A17	A16	A15	A14	A13	A12	A11	A10	A9	A8	A7	A6	A5	A4	A3	A2	A1
J1	B1	B2	B3	B4	B5	B6	B7	B8	B9	B10	B11	B12	B13	B14	B15	B16	B17	B18	B19	B20	B21	B22	B23	B24	B25
	GND2	DP		GND2	DP		GND2	DP		GND2	DP		GND2	DP		GND2	DP		GND2	DP		GND2	DP		GND2
J2	B25	B24	B23	B22	B21	B20	B19	B18	B17	B16	B15	B14	B13	B12	B11	B10	B9	B8	B7	B6	B5	B4	B3	B2	B1
J1	C1	C2	C3	C4	C5	C6	C7	C8	C9	C10	C11	C12	C13	C14	C15	C16	C17	C18	C19	C20	C21	C22	C23	C24	C25
	GND3	DP		GND3	DP		GND3	DP		GND3	DP		GND3	DP		GND3	DP		GND3	DP		GND3	DP		GND3
J2	C25	C24	C23	C22	C21	C20	C19	C18	C17	C16	C15	C14	C13	C12	C11	C10	C9	C8	C7	C6	C5	C4	C3	C2	C1
J1	D1	D2	D3	D4	D5	D6	D7	D8	D9	D10	D11	D12	D13	D14	D15	D16	D17	D18	D19	D20	D21	D22	D23	D24	D25
	GND4	DP		GND4	DP		GND4	DP		GND4	DP		GND4	DP		GND4	DP		GND4	DP		GND4	DP		GND4
J2	D25	D24	D23	D22	D21	D20	D19	D18	D17	D16	D15	D14	D13	D12	D11	D10	D9	D8	D7	D6	D5	D4	D3	D2	D1
J1	E1	E2	E3	E4	E5	E6	E7	E8	E9	E10	E11	E12	E13	E14	E15	E16	E17	E18	E19	E20	E21	E22	E23	E24	E25
	GND5	SE	GND5	SE	GND5	SE	GND5	SE	GND5	SE	GND5	SE	GND5	SE	GND5	SE	GND5	SE	GND5	SE	GND5	SE	GND5	SE	GND5
J2	E25	E24	E23	E22	E21	E20	E19	E18	E17	E16	E15	E14	E13	E12	E11	E10	E9	E8	E7	E6	E5	E4	E3	E2	E1
J1	F1	F2	F3	F4	F5	F6	F7	F8	F9	F10	F11	F12	F13	F14	F15	F16	F17	F18	F19	F20	F21	F22	F23	F24	F25
	GND6	SE	GND6	SE	GND6	SE	GND6	SE	GND6	SE	GND6	SE	GND6	SE	GND6	SE	GND6	SE	GND6	SE	GND6	SE	GND6	SE	GND6
J2	F25	F24	F23	F22	F21	F20	F19	F18	F17	F16	F15	F14	F13	F12	F11	F10	F9	F8	F7	F6	F5	F4	F3	F2	F1
A LL GROUNDS ARE COMMON WITHIN A ROW AND TIED TO CA BLE SHIELD																									
ON THE MA TING BOA RD A SSEMBLY, SA MTEC RECOMMENDS IMPLMENTING A GND REFERENCE TY ING A LL GND'S TOGETHER																									

PROPRIETARY NOTE
 THIS DOCUMENT CONTAINS CONFIDENTIAL AND PROPRIETARY INFORMATION AND ALL DESIGN, MANUFACTURING, REPRODUCTION, USE, PATENT RIGHTS AND SALES RIGHTS ARE EXPRESSLY RESERVED BY SAMTEC, INC. THIS DOCUMENT SHALL NOT BE DISCLOSED, IN WHOLE OR PART, TO ANY UNAUTHORIZED PERSON OR ENTITY NOR REPRODUCED, TRANSFERRED OR INCORPORATED IN ANY OTHER PROJECT IN ANY MANNER WITHOUT THE EXPRESS WRITTEN CONSENT OF SAMTEC, INC.



520 PARK EAST BLVD, NEW ALBANY, IN 47150
 PHONE: 812-944-6733 FAX: 812-948-5047
 e-Mail info@SAMTEC.com code 53322

SHEET SCALE: 3:2

DESCRIPTION: ARP6 CABLE ASSEMBLY
 DWG. NO. ARP6-XX-XXX-XX-XX.X-X-X-X
 BY: JACK Z 09/14/2021 SHEET 19 OF 24

ARP6-DS-025-08-XX-X-B-X-X SIGNAL MAPPING

POSITIONS																									
J1	A1	A2	A3	A4	A5	A6	A7	A8	A9	A10	A11	A12	A13	A14	A15	A16	A17	A18	A19	A20	A21	A22	A23	A24	A25
	GND1	DP	GND1	DP	GND1	DP	GND1	DP	GND1	DP	GND1	DP	GND1	DP	GND1	DP	GND1	DP	GND1	DP	GND1	DP	GND1	DP	GND1
J2	H1	H2	H3	H4	H5	H6	H7	H8	H9	H10	H11	H12	H13	H14	H15	H16	H17	H18	H19	H20	H21	H22	H23	H24	H25
J1	B1	B2	B3	B4	B5	B6	B7	B8	B9	B10	B11	B12	B13	B14	B15	B16	B17	B18	B19	B20	B21	B22	B23	B24	B25
	GND2	DP	GND2	DP	GND2	DP	GND2	DP	GND2	DP	GND2	DP	GND2	DP	GND2	DP	GND2	DP	GND2	DP	GND2	DP	GND2	DP	GND2
J2	G1	G2	G3	G4	G5	G6	G7	G8	G9	G10	G11	G12	G13	G14	G15	G16	G17	G18	G19	G20	G21	G22	G23	G24	G25
J1	C1	C2	C3	C4	C5	C6	C7	C8	C9	C10	C11	C12	C13	C14	C15	C16	C17	C18	C19	C20	C21	C22	C23	C24	C25
	GND3	DP	GND3	DP	GND3	DP	GND3	DP	GND3	DP	GND3	DP	GND3	DP	GND3	DP	GND3	DP	GND3	DP	GND3	DP	GND3	DP	GND3
J2	F1	F2	F3	F4	F5	F6	F7	F8	F9	F10	F11	F12	F13	F14	F15	F16	F17	F18	F19	F20	F21	F22	F23	F24	F25
J1	D1	D2	D3	D4	D5	D6	D7	D8	D9	D10	D11	D12	D13	D14	D15	D16	D17	D18	D19	D20	D21	D22	D23	D24	D25
	GND4	DP	GND4	DP	GND4	DP	GND4	DP	GND4	DP	GND4	DP	GND4	DP	GND4	DP	GND4	DP	GND4	DP	GND4	DP	GND4	DP	GND4
J2	E1	E2	E3	E4	E5	E6	E7	E8	E9	E10	E11	E12	E13	E14	E15	E16	E17	E18	E19	E20	E21	E22	E23	E24	E25
J1	E1	E2	E3	E4	E5	E6	E7	E8	E9	E10	E11	E12	E13	E14	E15	E16	E17	E18	E19	E20	E21	E22	E23	E24	E25
	GND5	DP	GND5	DP	GND5	DP	GND5	DP	GND5	DP	GND5	DP	GND5	DP	GND5	DP	GND5	DP	GND5	DP	GND5	DP	GND5	DP	GND5
J2	D1	D2	D3	D4	D5	D6	D7	D8	D9	D10	D11	D12	D13	D14	D15	D16	D17	D18	D19	D20	D21	D22	D23	D24	D25
J1	F1	F2	F3	F4	F5	F6	F7	F8	F9	F10	F11	F12	F13	F14	F15	F16	F17	F18	F19	F20	F21	F22	F23	F24	F25
	GND6	DP	GND6	DP	GND6	DP	GND6	DP	GND6	DP	GND6	DP	GND6	DP	GND6	DP	GND6	DP	GND6	DP	GND6	DP	GND6	DP	GND6
J2	C1	C2	C3	C4	C5	C6	C7	C8	C9	C10	C11	C12	C13	C14	C15	C16	C17	C18	C19	C20	C21	C22	C23	C24	C25
J1	G1	G2	G3	G4	G5	G6	G7	G8	G9	G10	G11	G12	G13	G14	G15	G16	G17	G18	G19	G20	G21	G22	G23	G24	G25
	GND7	SE	GND7	SE	GND7	SE	GND7	SE	GND7	SE	GND7	SE	GND7	SE	GND7	SE	GND7	SE	GND7	SE	GND7	SE	GND7	SE	GND7
J2	B1	B2	B3	B4	B5	B6	B7	B8	B9	B10	B11	B12	B13	B14	B15	B16	B17	B18	B19	B20	B21	B22	B23	B24	B25
J1	H1	H2	H3	H4	H5	H6	H7	H8	H9	H10	H11	H12	H13	H14	H15	H16	H17	H18	H19	H20	H21	H22	H23	H24	H25
	GND8	SE	GND8	SE	GND8	SE	GND8	SE	GND8	SE	GND8	SE	GND8	SE	GND8	SE	GND8	SE	GND8	SE	GND8	SE	GND8	SE	GND8
J2	A1	A2	A3	A4	A5	A6	A7	A8	A9	A10	A11	A12	A13	A14	A15	A16	A17	A18	A19	A20	A21	A22	A23	A24	A25

ALL GROUNDS ARE COMMON WITHIN A ROW AND TIED TO CABLE SHIELD ON THE MATING BOARD ASSEMBLY, SAMTEC RECOMMENDS IMPLEMENTING A GND REFERENCE TYING ALL GND'S TOGETHER

ARP6-DS-025-08-XXX-T-X-X SIGNAL MAPPING

POSITIONS																									
J1	A1	A2	A3	A4	A5	A6	A7	A8	A9	A10	A11	A12	A13	A14	A15	A16	A17	A18	A19	A20	A21	A22	A23	A24	A25
	GND1	DP	GND1	DP	GND1	DP	GND1	DP	GND1	DP	GND1	DP	GND1	DP	GND1	DP	GND1	DP	GND1	DP	GND1	DP	GND1	DP	GND1
J2	A25	A24	A23	A22	A21	A20	A19	A18	A17	A16	A15	A14	A13	A12	A11	A10	A9	A8	A7	A6	A5	A4	A3	A2	A1
J1	B1	B2	B3	B4	B5	B6	B7	B8	B9	B10	B11	B12	B13	B14	B15	B16	B17	B18	B19	B20	B21	B22	B23	B24	B25
	GND2	DP	GND2	DP	GND2	DP	GND2	DP	GND2	DP	GND2	DP	GND2	DP	GND2	DP	GND2	DP	GND2	DP	GND2	DP	GND2	DP	GND2
J2	B25	B24	B23	B22	B21	B20	B19	B18	B17	B16	B15	B14	B13	B12	B11	B10	B9	B8	B7	B6	B5	B4	B3	B2	B1
J1	C1	C2	C3	C4	C5	C6	C7	C8	C9	C10	C11	C12	C13	C14	C15	C16	C17	C18	C19	C20	C21	C22	C23	C24	C25
	GND3	DP	GND3	DP	GND3	DP	GND3	DP	GND3	DP	GND3	DP	GND3	DP	GND3	DP	GND3	DP	GND3	DP	GND3	DP	GND3	DP	GND3
J2	C25	C24	C23	C22	C21	C20	C19	C18	C17	C16	C15	C14	C13	C12	C11	C10	C9	C8	C7	C6	C5	C4	C3	C2	C1
J1	D1	D2	D3	D4	D5	D6	D7	D8	D9	D10	D11	D12	D13	D14	D15	D16	D17	D18	D19	D20	D21	D22	D23	D24	D25
	GND4	DP	GND4	DP	GND4	DP	GND4	DP	GND4	DP	GND4	DP	GND4	DP	GND4	DP	GND4	DP	GND4	DP	GND4	DP	GND4	DP	GND4
J2	D25	D24	D23	D22	D21	D20	D19	D18	D17	D16	D15	D14	D13	D12	D11	D10	D9	D8	D7	D6	D5	D4	D3	D2	D1
J1	E1	E2	E3	E4	E5	E6	E7	E8	E9	E10	E11	E12	E13	E14	E15	E16	E17	E18	E19	E20	E21	E22	E23	E24	E25
	GND5	DP	GND5	DP	GND5	DP	GND5	DP	GND5	DP	GND5	DP	GND5	DP	GND5	DP	GND5	DP	GND5	DP	GND5	DP	GND5	DP	GND5
J2	E25	E24	E23	E22	E21	E20	E19	E18	E17	E16	E15	E14	E13	E12	E11	E10	E9	E8	E7	E6	E5	E4	E3	E2	E1
J1	F1	F2	F3	F4	F5	F6	F7	F8	F9	F10	F11	F12	F13	F14	F15	F16	F17	F18	F19	F20	F21	F22	F23	F24	F25
	GND6	DP	GND6	DP	GND6	DP	GND6	DP	GND6	DP	GND6	DP	GND6	DP	GND6	DP	GND6	DP	GND6	DP	GND6	DP	GND6	DP	GND6
J2	F25	F24	F23	F22	F21	F20	F19	F18	F17	F16	F15	F14	F13	F12	F11	F10	F9	F8	F7	F6	F5	F4	F3	F2	F1
J1	G1	G2	G3	G4	G5	G6	G7	G8	G9	G10	G11	G12	G13	G14	G15	G16	G17	G18	G19	G20	G21	G22	G23	G24	G25
	GND7	SE	GND7	SE	GND7	SE	GND7	SE	GND7	SE	GND7	SE	GND7	SE	GND7	SE	GND7	SE	GND7	SE	GND7	SE	GND7	SE	GND7
J2	G25	G24	G23	G22	G21	G20	G19	G18	G17	G16	G15	G14	G13	G12	G11	G10	G9	G8	G7	G6	G5	G4	G3	G2	G1
J1	H1	H2	H3	H4	H5	H6	H7	H8	H9	H10	H11	H12	H13	H14	H15	H16	H17	H18	H19	H20	H21	H22	H23	H24	H25
	GND8	SE	GND8	SE	GND8	SE	GND8	SE	GND8	SE	GND8	SE	GND8	SE	GND8	SE	GND8	SE	GND8	SE	GND8	SE	GND8	SE	GND8
J2	H25	H24	H23	H22	H21	H20	H19	H18	H17	H16	H15	H14	H13	H12	H11	H10	H9	H8	H7	H6	H5	H4	H3	H2	H1

ALL GROUNDS ARE COMMON WITHIN A ROW AND TIED TO CABLE SHIELD ON THE MATING BOARD ASSEMBLY, SAMTEC RECOMMENDS IMPLEMENTING A GND REFERENCE TYING ALL GND'S TOGETHER

PROPRIETARY NOTE
 THIS DOCUMENT CONTAINS CONFIDENTIAL AND PROPRIETARY INFORMATION AND ALL DESIGN, MANUFACTURING, REPRODUCTION, USE, PATENT RIGHTS AND SALES RIGHTS ARE EXPRESSLY RESERVED BY SAMTEC, INC. THIS DOCUMENT SHALL NOT BE DISCLOSED, IN WHOLE OR PART, TO ANY UNAUTHORIZED PERSON OR ENTITY NOR REPRODUCED, TRANSFERRED OR INCORPORATED IN ANY OTHER PROJECT IN ANY MANNER WITHOUT THE EXPRESS WRITTEN CONSENT OF SAMTEC, INC.




520 PARK EAST BLVD., NEW ALBANY, IN 47150
 PHONE: 812-944-6733 FAX: 812-948-5047
 e-Mail: info@SAMTEC.com code 55322

SHEET SCALE: 3:2
 DO NOT SCALE DRAWING

DESCRIPTION: ARP6 CABLE ASSEMBLY
 DWG. NO. ARP6-XX-XXX-XX-XX.X-X-X-X
 BY: JACK Z 09/14/2021 SHEET 20 OF 24

ARP6-DS-037-04-XX-X-B-X-X SIGNAL MAPPING																																								
POSITIONS																																								
J1	A1	A2	A3	A4	A5	A6	A7	A8	A9	A10	A11	A12	A13	A14	A15	A16	A17	A18	A19	A20	A21	A22	A23	A24	A25	A26	A27	A28	A29	A30	A31	A32	A33	A34	A35	A36	A37			
	GND1	DP		GND1	DP		GND1	DP		GND1	DP		GND1	DP		GND1	DP		GND1	DP		GND1	DP		GND1	DP		GND1	DP		GND1	DP		GND1	DP		GND1	DP		GND1
J2	D1	D2	D3	D4	D5	D6	D7	D8	D9	D10	D11	D12	D13	D14	D15	D16	D17	D18	D19	D20	D21	D22	D23	D24	D25	D26	D27	D28	D29	D30	D31	D32	D33	D34	D35	D36	D37			
J1	B1	B2	B3	B4	B5	B6	B7	B8	B9	B10	B11	B12	B13	B14	B15	B16	B17	B18	B19	B20	B21	B22	B23	B24	B25	B26	B27	B28	B29	B30	B31	B32	B33	B34	B35	B36	B37			
	GND2	DP		GND2	DP		GND2	DP		GND2	DP		GND2	DP		GND2	DP		GND2	DP		GND2	DP		GND2	DP		GND2	DP		GND2	DP		GND2	DP		GND2	DP		GND2
J2	C1	C2	C3	C4	C5	C6	C7	C8	C9	C10	C11	C12	C13	C14	C15	C16	C17	C18	C19	C20	C21	C22	C23	C24	C25	C26	C27	C28	C29	C30	C31	C32	C33	C34	C35	C36	C37			
J1	C1	C2	C3	C4	C5	C6	C7	C8	C9	C10	C11	C12	C13	C14	C15	C16	C17	C18	C19	C20	C21	C22	C23	C24	C25	C26	C27	C28	C29	C30	C31	C32	C33	C34	C35	C36	C37			
	GND3	SE	GND3	SE	GND3	SE	GND3	SE	GND3	SE	GND3	SE	GND3	SE	GND3	SE	GND3	SE	GND3	SE	GND3	SE	GND3	SE	GND3	SE	GND3	SE	GND3	SE	GND3	SE	GND3	SE	GND3	SE	GND3	SE	GND3	
J2	B1	B2	B3	B4	B5	B6	B7	B8	B9	B10	B11	B12	B13	B14	B15	B16	B17	B18	B19	B20	B21	B22	B23	B24	B25	B26	B27	B28	B29	B30	B31	B32	B33	B34	B35	B36	B37			
J1	D1	D2	D3	D4	D5	D6	D7	D8	D9	D10	D11	D12	D13	D14	D15	D16	D17	D18	D19	D20	D21	D22	D23	D24	D25	D26	D27	D28	D29	D30	D31	D32	D33	D34	D35	D36	D37			
	GND4	SE	GND4	SE	GND4	SE	GND4	SE	GND4	SE	GND4	SE	GND4	SE	GND4	SE	GND4	SE	GND4	SE	GND4	SE	GND4	SE	GND4	SE	GND4	SE	GND4	SE	GND4	SE	GND4	SE	GND4	SE	GND4	SE	GND4	
J2	A1	A2	A3	A4	A5	A6	A7	A8	A9	A10	A11	A12	A13	A14	A15	A16	A17	A18	A19	A20	A21	A22	A23	A24	A25	A26	A27	A28	A29	A30	A31	A32	A33	A34	A35	A36	A37			
ALL GROUNDS ARE COMMON WITHIN A ROW AND TIED TO CABLE SHIELD																																								
ON THE MATING BOARD ASSEMBLY, SAMTEC RECOMMENDS IMPLEMENTING A GND REFERENCE TYING ALL GND'S TOGETHER																																								

ARP6-S-037-04-XX-X-T-X-X SIGNAL MAPPING																																								
POSITIONS																																								
J1	A1	A2	A3	A4	A5	A6	A7	A8	A9	A10	A11	A12	A13	A14	A15	A16	A17	A18	A19	A20	A21	A22	A23	A24	A25	A26	A27	A28	A29	A30	A31	A32	A33	A34	A35	A36	A37			
	GND1	DP		GND1	DP		GND1	DP		GND1	DP		GND1	DP		GND1	DP		GND1	DP		GND1	DP		GND1	DP		GND1	DP		GND1	DP		GND1	DP		GND1	DP		GND1
J2	A37	A36	A35	A34	A33	A32	A31	A30	A29	A28	A27	A26	A25	A24	A23	A22	A21	A20	A19	A18	A17	A16	A15	A14	A13	A12	A11	A10	A9	A8	A7	A6	A5	A4	A3	A2	A1			
J1	B1	B2	B3	B4	B5	B6	B7	B8	B9	B10	B11	B12	B13	B14	B15	B16	B17	B18	B19	B20	B21	B22	B23	B24	B25	B26	B27	B28	B29	B30	B31	B32	B33	B34	B35	B36	B37			
	GND2	DP		GND2	DP		GND2	DP		GND2	DP		GND2	DP		GND2	DP		GND2	DP		GND2	DP		GND2	DP		GND2	DP		GND2	DP		GND2	DP		GND2	DP		GND2
J2	B37	B36	B35	B34	B33	B32	B31	B30	B29	B28	B27	B26	B25	B24	B23	B22	B21	B20	B19	B18	B17	B16	B15	B14	B13	B12	B11	B10	B9	B8	B7	B6	B5	B4	B3	B2	B1			
J1	C1	C2	C3	C4	C5	C6	C7	C8	C9	C10	C11	C12	C13	C14	C15	C16	C17	C18	C19	C20	C21	C22	C23	C24	C25	C26	C27	C28	C29	C30	C31	C32	C33	C34	C35	C36	C37			
	GND3	SE	GND3	SE	GND3	SE	GND3	SE	GND3	SE	GND3	SE	GND3	SE	GND3	SE	GND3	SE	GND3	SE	GND3	SE	GND3	SE	GND3	SE	GND3	SE	GND3	SE	GND3	SE	GND3	SE	GND3	SE	GND3	SE	GND3	
J2	C37	C36	C35	C34	C33	C32	C31	C30	C29	C28	C27	C26	C25	C24	C23	C22	C21	C20	C19	C18	C17	C16	C15	C14	C13	C12	C11	C10	C9	C8	C7	C6	C5	C4	C3	C2	C1			
J1	D1	D2	D3	D4	D5	D6	D7	D8	D9	D10	D11	D12	D13	D14	D15	D16	D17	D18	D19	D20	D21	D22	D23	D24	D25	D26	D27	D28	D29	D30	D31	D32	D33	D34	D35	D36	D37			
	GND4	SE	GND4	SE	GND4	SE	GND4	SE	GND4	SE	GND4	SE	GND4	SE	GND4	SE	GND4	SE	GND4	SE	GND4	SE	GND4	SE	GND4	SE	GND4	SE	GND4	SE	GND4	SE	GND4	SE	GND4	SE	GND4	SE	GND4	
J2	D37	D36	D35	D34	D33	D32	D31	D30	D29	D28	D27	D26	D25	D24	D23	D22	D21	D20	D19	D18	D17	D16	D15	D14	D13	D12	D11	D10	D9	D8	D7	D6	D5	D4	D3	D2	D1			
ALL GROUNDS ARE COMMON WITHIN A ROW AND TIED TO CABLE SHIELD																																								
ON THE MATING BOARD ASSEMBLY, SAMTEC RECOMMENDS IMPLEMENTING A GND REFERENCE TYING ALL GND'S TOGETHER																																								

<p>PROPRIETARY NOTE</p> <p>THIS DOCUMENT CONTAINS CONFIDENTIAL AND PROPRIETARY INFORMATION AND ALL DESIGN, MANUFACTURING, REPRODUCTION, USE, PATENT RIGHTS AND SALES RIGHTS ARE EXPRESSLY RESERVED BY SAMTEC, INC. THIS DOCUMENT SHALL NOT BE DISCLOSED, IN WHOLE OR PART, TO ANY UNAUTHORIZED PERSON OR ENTITY NOR REPRODUCED, TRANSFERRED OR INCORPORATED IN ANY OTHER PROJECT IN ANY MANNER WITHOUT THE EXPRESS WRITTEN CONSENT OF SAMTEC, INC.</p>	 <p>520 PARK EAST BLVD, NEW ALBANY, IN 47150 PHONE: 812-944-6733 FAX: 812-948-5047 e-Mail: info@SAMTEC.com code 55322</p>	
	<p>SHEET SCALE: 3:2</p>	<p>DESCRIPTION: ARP6 CABLE ASSEMBLY</p>
	<p>DWG. NO. ARP6-XX-XXX-XX-XX.X-X-X-X</p>	<p>BY: JACK Z 09/14/2021 SHEET 21 OF 24</p>

ARP6-DS-037-06-XX.X-B-X-X SIGNAL MAPPING																																							
POSITIONS																																							
J1	A1	A2	A3	A4	A5	A6	A7	A8	A9	A10	A11	A12	A13	A14	A15	A16	A17	A18	A19	A20	A21	A22	A23	A24	A25	A26	A27	A28	A29	A30	A31	A32	A33	A34	A35	A36	A37		
	GND1	DP	GND1	DP	GND1	DP	GND1	DP	GND1	DP	GND1	DP	GND1	DP	GND1	DP	GND1	DP	GND1	DP	GND1	DP	GND1	DP	GND1	DP	GND1	DP	GND1	DP	GND1	DP	GND1	DP	GND1	DP	GND1	DP	GND1
J2	F1	F2	F3	F4	F5	F6	F7	F8	F9	F10	F11	F12	F13	F14	F15	F16	F17	F18	F19	F20	F21	F22	F23	F24	F25	F26	F27	F28	F29	F30	F31	F32	F33	F34	F35	F36	F37		
J1	B1	B2	B3	B4	B5	B6	B7	B8	B9	B10	B11	B12	B13	B14	B15	B16	B17	B18	B19	B20	B21	B22	B23	B24	B25	B26	B27	B28	B29	B30	B31	B32	B33	B34	B35	B36	B37		
	GND2	DP	GND2	DP	GND2	DP	GND2	DP	GND2	DP	GND2	DP	GND2	DP	GND2	DP	GND2	DP	GND2	DP	GND2	DP	GND2	DP	GND2	DP	GND2	DP	GND2	DP	GND2	DP	GND2	DP	GND2	DP	GND2	DP	GND2
J2	E1	E2	E3	E4	E5	E6	E7	E8	E9	E10	E11	E12	E13	E14	E15	E16	E17	E18	E19	E20	E21	E22	E23	E24	E25	E26	E27	E28	E29	E30	E31	E32	E33	E34	E35	E36	E37		
J1	C1	C2	C3	C4	C5	C6	C7	C8	C9	C10	C11	C12	C13	C14	C15	C16	C17	C18	C19	C20	C21	C22	C23	C24	C25	C26	C27	C28	C29	C30	C31	C32	C33	C34	C35	C36	C37		
	GND3	DP	GND3	DP	GND3	DP	GND3	DP	GND3	DP	GND3	DP	GND3	DP	GND3	DP	GND3	DP	GND3	DP	GND3	DP	GND3	DP	GND3	DP	GND3	DP	GND3	DP	GND3	DP	GND3	DP	GND3	DP	GND3	DP	GND3
J2	D1	D2	D3	D4	D5	D6	D7	D8	D9	D10	D11	D12	D13	D14	D15	D16	D17	D18	D19	D20	D21	D22	D23	D24	D25	D26	D27	D28	D29	D30	D31	D32	D33	D34	D35	D36	D37		
J1	D1	D2	D3	D4	D5	D6	D7	D8	D9	D10	D11	D12	D13	D14	D15	D16	D17	D18	D19	D20	D21	D22	D23	D24	D25	D26	D27	D28	D29	D30	D31	D32	D33	D34	D35	D36	D37		
	GND4	DP	GND4	DP	GND4	DP	GND4	DP	GND4	DP	GND4	DP	GND4	DP	GND4	DP	GND4	DP	GND4	DP	GND4	DP	GND4	DP	GND4	DP	GND4	DP	GND4	DP	GND4	DP	GND4	DP	GND4	DP	GND4	DP	GND4
J2	C1	C2	C3	C4	C5	C6	C7	C8	C9	C10	C11	C12	C13	C14	C15	C16	C17	C18	C19	C20	C21	C22	C23	C24	C25	C26	C27	C28	C29	C30	C31	C32	C33	C34	C35	C36	C37		
J1	E1	E2	E3	E4	E5	E6	E7	E8	E9	E10	E11	E12	E13	E14	E15	E16	E17	E18	E19	E20	E21	E22	E23	E24	E25	E26	E27	E28	E29	E30	E31	E32	E33	E34	E35	E36	E37		
	GND5	SE	GND5	SE	GND5	SE	GND5	SE	GND5	SE	GND5	SE	GND5	SE	GND5	SE	GND5	SE	GND5	SE	GND5	SE	GND5	SE	GND5	SE	GND5	SE	GND5	SE	GND5	SE	GND5	SE	GND5	SE	GND5	SE	GND5
J2	B1	B2	B3	B4	B5	B6	B7	B8	B9	B10	B11	B12	B13	B14	B15	B16	B17	B18	B19	B20	B21	B22	B23	B24	B25	B26	B27	B28	B29	B30	B31	B32	B33	B34	B35	B36	B37		
J1	F1	F2	F3	F4	F5	F6	F7	F8	F9	F10	F11	F12	F13	F14	F15	F16	F17	F18	F19	F20	F21	F22	F23	F24	F25	F26	F27	F28	F29	F30	F31	F32	F33	F34	F35	F36	F37		
	GND6	SE	GND6	SE	GND6	SE	GND6	SE	GND6	SE	GND6	SE	GND6	SE	GND6	SE	GND6	SE	GND6	SE	GND6	SE	GND6	SE	GND6	SE	GND6	SE	GND6	SE	GND6	SE	GND6	SE	GND6	SE	GND6	SE	GND6
J2	A1	A2	A3	A4	A5	A6	A7	A8	A9	A10	A11	A12	A13	A14	A15	A16	A17	A18	A19	A20	A21	A22	A23	A24	A25	A26	A27	A28	A29	A30	A31	A32	A33	A34	A35	A36	A37		
ALL GROUNDS ARE COMMON WITHIN A ROW AND TIED TO CABLE SHIELD																																							
ON THE MATING BOARD ASSEMBLY, SAMTEC RECOMMENDS IMPLEMENTING A GND REFERENCE TYING ALL GND'S TOGETHER																																							

ARP6-DS-037-06-XX.X-T-X-X SIGNAL MAPPING																																							
POSITIONS																																							
J1	A1	A2	A3	A4	A5	A6	A7	A8	A9	A10	A11	A12	A13	A14	A15	A16	A17	A18	A19	A20	A21	A22	A23	A24	A25	A26	A27	A28	A29	A30	A31	A32	A33	A34	A35	A36	A37		
	GND1	DP	GND1	DP	GND1	DP	GND1	DP	GND1	DP	GND1	DP	GND1	DP	GND1	DP	GND1	DP	GND1	DP	GND1	DP	GND1	DP	GND1	DP	GND1	DP	GND1	DP	GND1	DP	GND1	DP	GND1	DP	GND1	DP	GND1
J2	A37	A36	A35	A34	A33	A32	A31	A30	A29	A28	A27	A26	A25	A24	A23	A22	A21	A20	A19	A18	A17	A16	A15	A14	A13	A12	A11	A10	A9	A8	A7	A6	A5	A4	A3	A2	A1		
J1	B1	B2	B3	B4	B5	B6	B7	B8	B9	B10	B11	B12	B13	B14	B15	B16	B17	B18	B19	B20	B21	B22	B23	B24	B25	B26	B27	B28	B29	B30	B31	B32	B33	B34	B35	B36	B37		
	GND2	DP	GND2	DP	GND2	DP	GND2	DP	GND2	DP	GND2	DP	GND2	DP	GND2	DP	GND2	DP	GND2	DP	GND2	DP	GND2	DP	GND2	DP	GND2	DP	GND2	DP	GND2	DP	GND2	DP	GND2	DP	GND2	DP	GND2
J2	B37	B36	B35	B34	B33	B32	B31	B30	B29	B28	B27	B26	B25	B24	B23	B22	B21	B20	B19	B18	B17	B16	B15	B14	B13	B12	B11	B10	B9	B8	B7	B6	B5	B4	B3	B2	B1		
J1	C1	C2	C3	C4	C5	C6	C7	C8	C9	C10	C11	C12	C13	C14	C15	C16	C17	C18	C19	C20	C21	C22	C23	C24	C25	C26	C27	C28	C29	C30	C31	C32	C33	C34	C35	C36	C37		
	GND3	DP	GND3	DP	GND3	DP	GND3	DP	GND3	DP	GND3	DP	GND3	DP	GND3	DP	GND3	DP	GND3	DP	GND3	DP	GND3	DP	GND3	DP	GND3	DP	GND3	DP	GND3	DP	GND3	DP	GND3	DP	GND3	DP	GND3
J2	C37	C36	C35	C34	C33	C32	C31	C30	C29	C28	C27	C26	C25	C24	C23	C22	C21	C20	C19	C18	C17	C16	C15	C14	C13	C12	C11	C10	C9	C8	C7	C6	C5	C4	C3	C2	C1		
J1	D1	D2	D3	D4	D5	D6	D7	D8	D9	D10	D11	D12	D13	D14	D15	D16	D17	D18	D19	D20	D21	D22	D23	D24	D25	D26	D27	D28	D29	D30	D31	D32	D33	D34	D35	D36	D37		
	GND4	DP	GND4	DP	GND4	DP	GND4	DP	GND4	DP	GND4	DP	GND4	DP	GND4	DP	GND4	DP	GND4	DP	GND4	DP	GND4	DP	GND4	DP	GND4	DP	GND4	DP	GND4	DP	GND4	DP	GND4	DP	GND4	DP	GND4
J2	D37	D36	D35	D34	D33	D32	D31	D30	D29	D28	D27	D26	D25	D24	D23	D22	D21	D20	D19	D18	D17	D16	D15	D14	D13	D12	D11	D10	D9	D8	D7	D6	D5	D4	D3	D2	D1		
J1	E1	E2	E3	E4	E5	E6	E7	E8	E9	E10	E11	E12	E13	E14	E15	E16	E17	E18	E19	E20	E21	E22	E23	E24	E25	E26	E27	E28	E29	E30	E31	E32	E33	E34	E35	E36	E37		
	GND5	SE	GND5	SE	GND5	SE	GND5	SE	GND5	SE	GND5	SE	GND5	SE	GND5	SE	GND5	SE	GND5	SE	GND5	SE	GND5	SE	GND5	SE	GND5	SE	GND5	SE	GND5	SE	GND5	SE	GND5	SE	GND5	SE	GND5
J2	E37	E36	E35	E34	E33	E32	E31	E30	E29	E28	E27	E26	E25	E24	E23	E22	E21	E20	E19	E18	E17	E16	E15	E14	E13	E12	E11	E10	E9	E8	E7	E6	E5	E4	E3	E2	E1		
J1	F1	F2	F3	F4	F5	F6	F7	F8	F9	F10	F11	F12	F13	F14	F15	F16	F17	F18	F19	F20	F21	F22	F23	F24	F25	F26	F27	F28	F29	F30	F31	F32	F33	F34	F35	F36	F37		
	GND6	SE	GND6	SE	GND6	SE	GND6	SE	GND6	SE	GND6	SE	GND6	SE	GND6	SE	GND6	SE	GND6	SE	GND6	SE	GND6	SE	GND6	SE	GND6	SE	GND6	SE	GND6	SE	GND6	SE	GND6	SE	GND6	SE	GND6
J2	F37	F36	F35	F34	F33	F32	F31	F30	F29	F28	F27	F26	F25	F24	F23	F22	F21	F20	F19	F18	F17	F16	F15	F14	F13	F12	F11	F10	F9	F8	F7	F6	F5	F4	F3	F2	F1		
ALL GROUNDS ARE COMMON WITHIN A ROW AND TIED TO CABLE SHIELD																																							
ON THE MATING BOARD ASSEMBLY, SAMTEC RECOMMENDS IMPLEMENTING A GND REFERENCE TYING ALL GND'S TOGETHER																																							

PROPRIETARY NOTE
 THIS DOCUMENT CONTAINS CONFIDENTIAL AND PROPRIETARY INFORMATION AND ALL DESIGN, MANUFACTURING, REPRODUCTION, USE, PATENT RIGHTS AND SALES RIGHTS ARE EXPRESSLY RESERVED BY SAMTEC, INC. THIS DOCUMENT SHALL NOT BE DISCLOSED, IN WHOLE OR PART, TO ANY UNAUTHORIZED PERSON OR ENTITY NOR REPRODUCED, TRANSFERRED OR INCORPORATED IN ANY OTHER PROJECT IN ANY MANNER WITHOUT THE EXPRESS WRITTEN CONSENT OF SAMTEC, INC.



520 PARK EAST BLVD, NEW ALBANY, IN 47150
 PHONE: 812-944-6733 FAX: 812-948-5047
 e-Mail info@SAMTEC.com code 55322

SHEET SCALE: 3:2

DESCRIPTION: ARP6 CABLE ASSEMBLY

DWG. NO. ARP6-XX-XXX-XX-XX.X-X-X-X

BY: JACK Z 09/14/2021 SHEET 22 OF 24

ARP6-DS-037-08-XX.X-B-X-X SIGNAL MAPPING

POSITIONS

J1	A1	A2	A3	A4	A5	A6	A7	A8	A9	A10	A11	A12	A13	A14	A15	A16	A17	A18	A19	A20	A21	A22	A23	A24	A25	A26	A27	A28	A29	A30	A31	A32	A33	A34	A35	A36	A37		
	GND1	DP	GND1	DP	GND1	DP	GND1	DP	GND1	DP	GND1	DP	GND1	DP	GND1	DP	GND1	DP	GND1	DP	GND1	DP	GND1	DP	GND1	DP	GND1	DP	GND1	DP	GND1	DP	GND1	DP	GND1	DP	GND1	DP	GND1
J2	H1	H2	H3	H4	H5	H6	H7	H8	H9	H10	H11	H12	H13	H14	H15	H16	H17	H18	H19	H20	H21	H22	H23	H24	H25	H26	H27	H28	H29	H30	H31	H32	H33	H34	H35	H36	H37		
J1	B1	B2	B3	B4	B5	B6	B7	B8	B9	B10	B11	B12	B13	B14	B15	B16	B17	B18	B19	B20	B21	B22	B23	B24	B25	B26	B27	B28	B29	B30	B31	B32	B33	B34	B35	B36	B37		
	GND2	DP	GND2	DP	GND2	DP	GND2	DP	GND2	DP	GND2	DP	GND2	DP	GND2	DP	GND2	DP	GND2	DP	GND2	DP	GND2	DP	GND2	DP	GND2	DP	GND2	DP	GND2	DP	GND2	DP	GND2	DP	GND2	DP	GND2
J2	G1	G2	G3	G4	G5	G6	G7	G8	G9	G10	G11	G12	G13	G14	G15	G16	G17	G18	G19	G20	G21	G22	G23	G24	G25	G26	G27	G28	G29	G30	G31	G32	G33	G34	G35	G36	G37		
J1	C1	C2	C3	C4	C5	C6	C7	C8	C9	C10	C11	C12	C13	C14	C15	C16	C17	C18	C19	C20	C21	C22	C23	C24	C25	C26	C27	C28	C29	C30	C31	C32	C33	C34	C35	C36	C37		
	GND3	DP	GND3	DP	GND3	DP	GND3	DP	GND3	DP	GND3	DP	GND3	DP	GND3	DP	GND3	DP	GND3	DP	GND3	DP	GND3	DP	GND3	DP	GND3	DP	GND3	DP	GND3	DP	GND3	DP	GND3	DP	GND3	DP	GND3
J2	F1	F2	F3	F4	F5	F6	F7	F8	F9	F10	F11	F12	F13	F14	F15	F16	F17	F18	F19	F20	F21	F22	F23	F24	F25	F26	F27	F28	F29	F30	F31	F32	F33	F34	F35	F36	F37		
J1	D1	D2	D3	D4	D5	D6	D7	D8	D9	D10	D11	D12	D13	D14	D15	D16	D17	D18	D19	D20	D21	D22	D23	D24	D25	D26	D27	D28	D29	D30	D31	D32	D33	D34	D35	D36	D37		
	GND4	DP	GND4	DP	GND4	DP	GND4	DP	GND4	DP	GND4	DP	GND4	DP	GND4	DP	GND4	DP	GND4	DP	GND4	DP	GND4	DP	GND4	DP	GND4	DP	GND4	DP	GND4	DP	GND4	DP	GND4	DP	GND4	DP	GND4
J2	E1	E2	E3	E4	E5	E6	E7	E8	E9	E10	E11	E12	E13	E14	E15	E16	E17	E18	E19	E20	E21	E22	E23	E24	E25	E26	E27	E28	E29	E30	E31	E32	E33	E34	E35	E36	E37		
J1	E1	E2	E3	E4	E5	E6	E7	E8	E9	E10	E11	E12	E13	E14	E15	E16	E17	E18	E19	E20	E21	E22	E23	E24	E25	E26	E27	E28	E29	E30	E31	E32	E33	E34	E35	E36	E37		
	GND5	DP	GND5	DP	GND5	DP	GND5	DP	GND5	DP	GND5	DP	GND5	DP	GND5	DP	GND5	DP	GND5	DP	GND5	DP	GND5	DP	GND5	DP	GND5	DP	GND5	DP	GND5	DP	GND5	DP	GND5	DP	GND5	DP	GND5
J2	D1	D2	D3	D4	D5	D6	D7	D8	D9	D10	D11	D12	D13	D14	D15	D16	D17	D18	D19	D20	D21	D22	D23	D24	D25	D26	D27	D28	D29	D30	D31	D32	D33	D34	D35	D36	D37		
J1	F1	F2	F3	F4	F5	F6	F7	F8	F9	F10	F11	F12	F13	F14	F15	F16	F17	F18	F19	F20	F21	F22	F23	F24	F25	F26	F27	F28	F29	F30	F31	F32	F33	F34	F35	F36	F37		
	GND6	DP	GND6	DP	GND6	DP	GND6	DP	GND6	DP	GND6	DP	GND6	DP	GND6	DP	GND6	DP	GND6	DP	GND6	DP	GND6	DP	GND6	DP	GND6	DP	GND6	DP	GND6	DP	GND6	DP	GND6	DP	GND6	DP	GND6
J2	C1	C2	C3	C4	C5	C6	C7	C8	C9	C10	C11	C12	C13	C14	C15	C16	C17	C18	C19	C20	C21	C22	C23	C24	C25	C26	C27	C28	C29	C30	C31	C32	C33	C34	C35	C36	C37		
J1	G1	G2	G3	G4	G5	G6	G7	G8	G9	G10	G11	G12	G13	G14	G15	G16	G17	G18	G19	G20	G21	G22	G23	G24	G25	G26	G27	G28	G29	G30	G31	G32	G33	G34	G35	G36	G37		
	GND7	SE	GND7	SE	GND7	SE	GND7	SE	GND7	SE	GND7	SE	GND7	SE	GND7	SE	GND7	SE	GND7	SE	GND7	SE	GND7	SE	GND7	SE	GND7	SE	GND7	SE	GND7	SE	GND7	SE	GND7	SE	GND7	SE	GND7
J2	B1	B2	B3	B4	B5	B6	B7	B8	B9	B10	B11	B12	B13	B14	B15	B16	B17	B18	B19	B20	B21	B22	B23	B24	B25	B26	B27	B28	B29	B30	B31	B32	B33	B34	B35	B36	B37		
J1	H1	H2	H3	H4	H5	H6	H7	H8	H9	H10	H11	H12	H13	H14	H15	H16	H17	H18	H19	H20	H21	H22	H23	H24	H25	H26	H27	H28	H29	H30	H31	H32	H33	H34	H35	H36	H37		
	GND8	SE	GND8	SE	GND8	SE	GND8	SE	GND8	SE	GND8	SE	GND8	SE	GND8	SE	GND8	SE	GND8	SE	GND8	SE	GND8	SE	GND8	SE	GND8	SE	GND8	SE	GND8	SE	GND8	SE	GND8	SE	GND8	SE	GND8
J2	A1	A2	A3	A4	A5	A6	A7	A8	A9	A10	A11	A12	A13	A14	A15	A16	A17	A18	A19	A20	A21	A22	A23	A24	A25	A26	A27	A28	A29	A30	A31	A32	A33	A34	A35	A36	A37		

ALL GROUNDS ARE COMMON WITHIN A ROW AND TIED TO CABLE SHIELD

ON THE MATING BOARD ASSEMBLY, SAMTEC RECOMMENDS IMPLEMENTING A GND REFERENCE TYING ALL GND'S TOGETHER

PROPRIETARY NOTE
 THIS DOCUMENT CONTAINS CONFIDENTIAL AND PROPRIETARY INFORMATION AND ALL DESIGN, MANUFACTURING, REPRODUCTION, USE, PATENT RIGHTS AND SALES RIGHTS ARE EXPRESSLY RESERVED BY SAMTEC, INC. THIS DOCUMENT SHALL NOT BE DISCLOSED, IN WHOLE OR PART, TO ANY UNAUTHORIZED PERSON OR ENTITY NOR REPRODUCED, TRANSFERRED OR INCORPORATED IN ANY OTHER PROJECT IN ANY MANNER WITHOUT THE EXPRESS WRITTEN CONSENT OF SAMTEC, INC.



520 PARK EAST BLVD, NEW ALBANY, IN 47150
 PHONE: 812-944-6733 FAX: 812-948-5047
 e-Mail info@SAMTEC.com code 55322

SHEET SCALE: 3:2
 DO NOT SCALE DRAWING

DESCRIPTION: ARP6 CABLE ASSEMBLY
 DWG. NO. ARP6-XX-XXX-XX-XX.X-X-X-X
 BY: JACK Z 09/14/2021 SHEET 23 OF 24

