

DO NOT SCALE FROM THIS PRINT

END 1
-C: SEALED TYPE C RECEPTACLE

PLATING
-S: CONTACT AREA 30μ" GOLD

ASSEMBLED LENGTH
-0.25: (0.25 M) CABLE
-0.50: (0.5 M) CABLE
-0.75: (0.75 M) CABLE
-1.00: (1 M) CABLE
STANDARD LENGTH (SEE NOTE 5 & 6)

STYLE
-P: PLASTIC

END 2
-UC: UNSEALED TYPE C PLUG
-BC: BLUNT CUT

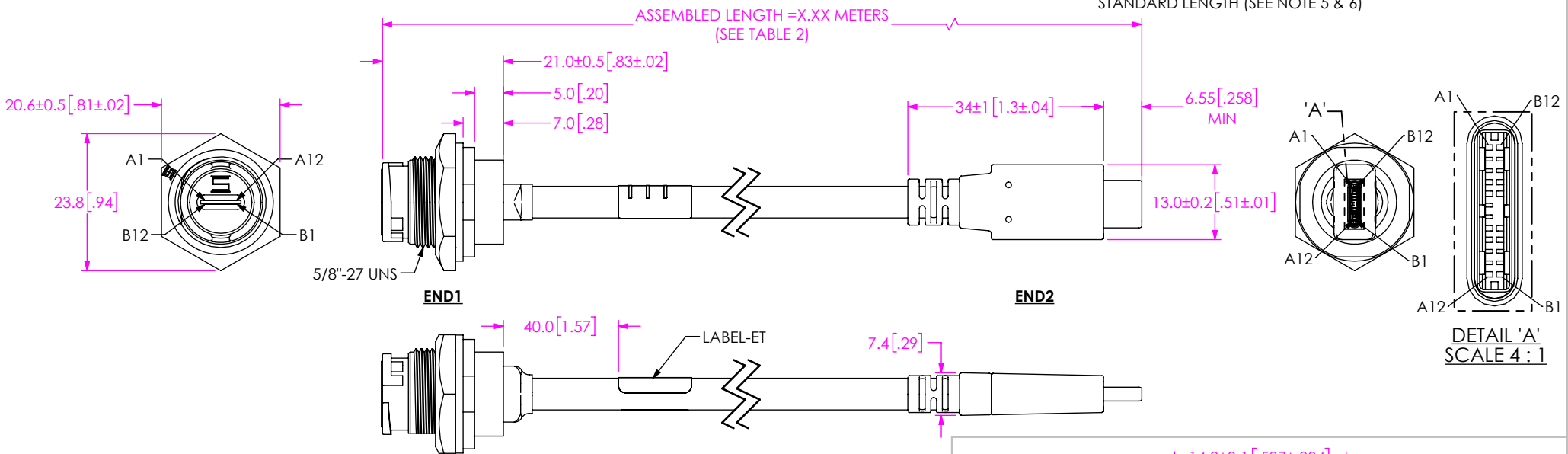
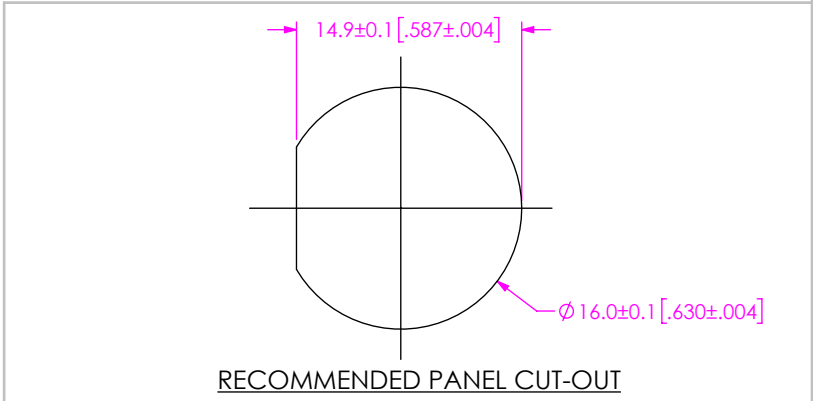
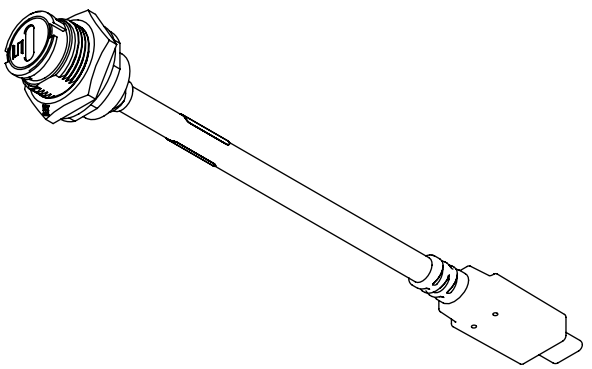


FIG 1
BPCU-C-X-X.XX-UC-P SHOWN



- NOTES:
1. RECOMMEND PANEL THICKNESS: 0.8 [.03] TO 3.0 [.12].
 2. RECOMMEND TORQUE: 9~10 KGF-CM.
 3. MATING DUST CAP P/N: DCA-BRU-C-01.
 4. MATING PART P/N: BCU-C-X-X.XX-XX-P.
 5. CABLE LENGTH 2M MAX. OTHER LENGTH REQUIRE MOQ.
 6. CABLE LENGTHS ABOVE 0.8M FOR GEN2 AND 1.5M FOR GEN1 ARE NOT SUPPORT WITH SI DATA.

TABLE 2	
ASSEMBLED LENGTH	TOLERANCE
≤0.25M	+25 MM
0.5M-1.5M	+50 MM
2.0M	+100 MM

PROPRIETARY NOTE

THIS DOCUMENT CONTAINS CONFIDENTIAL AND PROPRIETARY INFORMATION AND ALL DESIGN, MANUFACTURING, REPRODUCTION, USE, PATENT RIGHTS AND SALES RIGHTS ARE EXPRESSLY RESERVED BY SAMTEC, INC. THIS DOCUMENT SHALL NOT BE DISCLOSED, IN WHOLE OR PART, TO ANY UNAUTHORIZED PERSON OR ENTITY NOR REPRODUCED, TRANSFERRED OR INCORPORATED IN ANY OTHER PROJECT IN ANY MANNER WITHOUT THE EXPRESS WRITTEN CONSENT OF SAMTEC, INC.

DO NOT SCALE DRAWING SHEET SCALE: 1:1

MATERIAL:
HOUSING: THERMOPLASTIC, COLOR: BLACK
GASKET: SILICONE, COLOR: BLACK
HEX NUT: THERMOPLASTIC, COLOR: BLACK

samtec

520 PARK EAST BLVD, NEW ALBANY, IN 47150
PHONE: 812-944-6733 FAX: 812-948-5047
e-Mail: info@SAMTEC.com code 55322

DESCRIPTION: USB-C CABLE ASSEMBLY

DWG. NO. BPCU-C-X-X.XX-XX-P

BY: JACK Z 2/22/2022 SHEET 1 OF 2

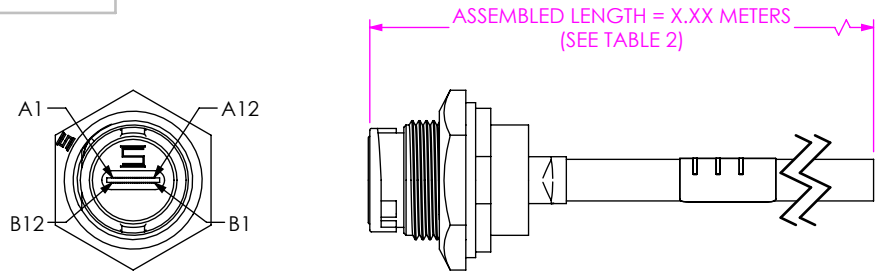


FIG 2
BPCU-C-X-X.XX-BC-P SHOWN
(DIFFERENT AS SHOWN, OTHERWISE SAME AS FIG 1)

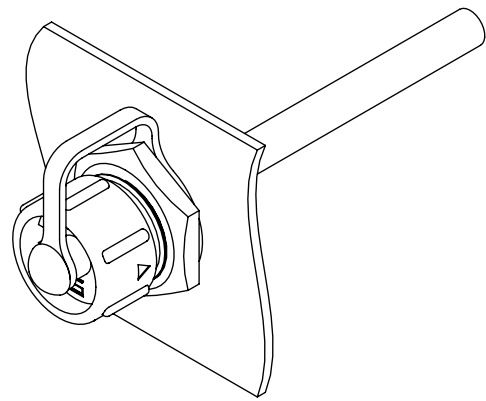
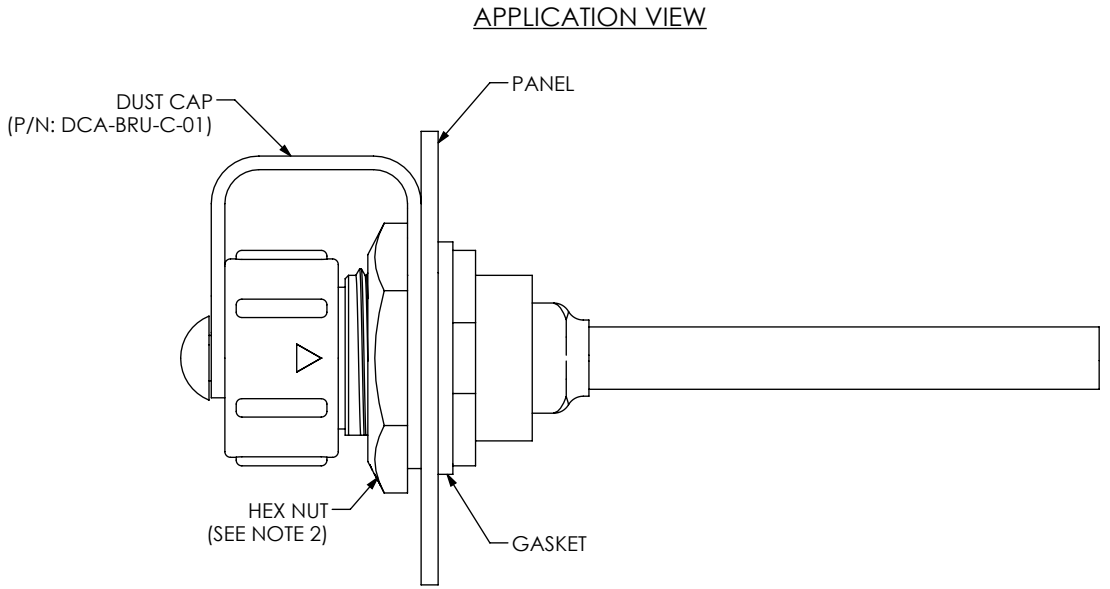


TABLE 1: PIN-OUT			
END 1	COLOR	END 2	
		-UC	-BC
A1	DRAIN	A1	NC
A2	YELLOW (BLUE MYLAR)	A2	
A3	BLUE (BLUE MYLAR)	A3	
A4	RED (24 AWG)	A4	
A5	BLUE (32 AWG)	A5	
A6	GREEN	A6	
A7	WHITE	A7	
A8	RED (32 AWG)	A8	
A9	RED (24 AWG)	A9	
A10	VIOLET (SLIVER MYLAR)	A10	
A11	ORANGE (SLIVER MYLAR)	A11	
A12	DRAIN	A12	
B1	DRAIN	B1	NC
B2	YELLOW (SLIVER MYLAR)	B2	
B3	BLUE (SLIVER MYLAR)	B3	
B4	RED (24 AWG)	B4	
B5	YELLOW (32 AWG)	B5	
B6	GREEN	A6	
B7	WHITE	A7	
B8	BLACK (32 AWG)	B8	
B9	RED (24 AWG)	B9	
B10	VIOLET (BLUE MYLAR)	B10	
B11	ORANGE (BLUE MYLAR)	B11	
B12	DRAIN	B12	



PROPRIETARY NOTE
 THIS DOCUMENT CONTAINS CONFIDENTIAL AND PROPRIETARY INFORMATION AND ALL DESIGN, MANUFACTURING, REPRODUCTION, USE, PATENT RIGHTS AND SALES RIGHTS ARE EXPRESSLY RESERVED BY SAMTEC, INC. THIS DOCUMENT SHALL NOT BE DISCLOSED, IN WHOLE OR PART, TO ANY UNAUTHORIZED PERSON OR ENTITY NOR REPRODUCED, TRANSFERRED OR INCORPORATED IN ANY OTHER PROJECT IN ANY MANNER WITHOUT THE EXPRESS WRITTEN CONSENT OF SAMTEC, INC.



520 PARK EAST BLVD, NEW ALBANY, IN 47150
 PHONE: 812-944-6733 FAX: 812-948-5047
 e-Mail: info@SAMTEC.com code 55322

SHEET SCALE: 1:1

DESCRIPTION:	USB-C CABLE ASSEMBLY
DWG. NO.	BPCU-C-X-X.XX-XX-P
BY: JACK Z	2/22/2022 SHEET 2 OF 2