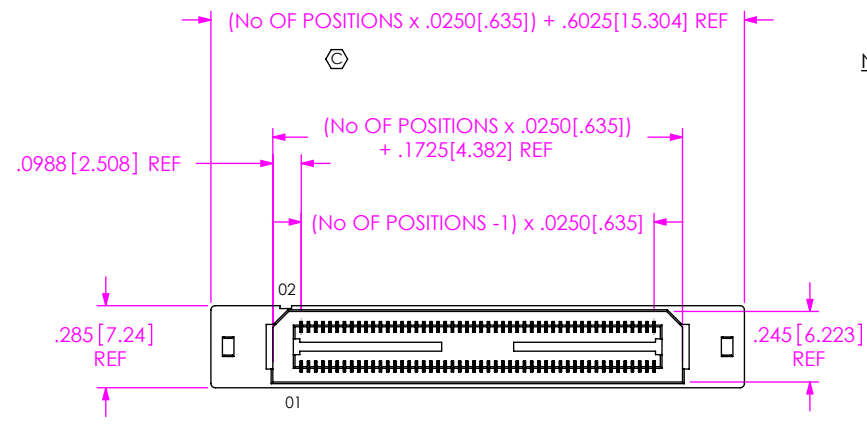


REVISION K

DO NOT SCALE FROM THIS PRINT



BSS-XXX-01-X-D-EMX

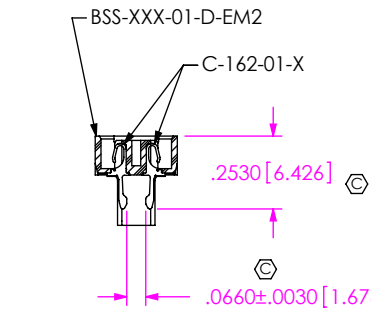
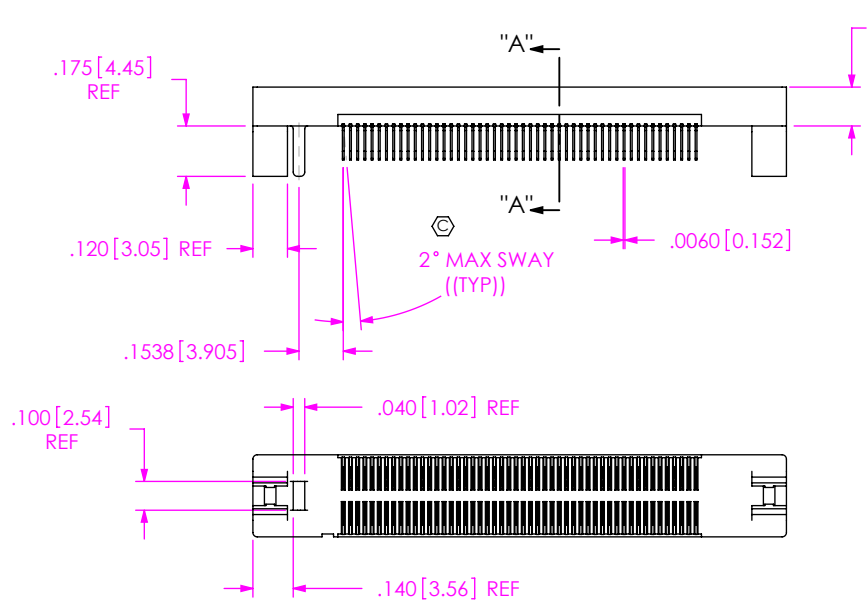
No OF POSITIONS (PER ROW)
 -025, -050, -075,
 *-100, *125, *-150
 * SEE NOTE 7

LEAD STYLE
 -01

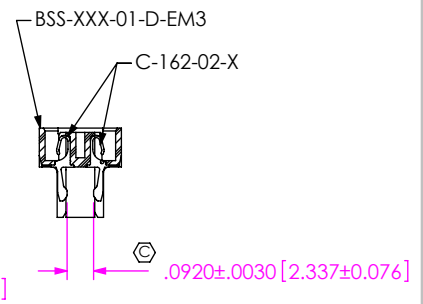
PLATING SPECIFICATION
 -L: 10µ" SELECTIVE GOLD IN CONTACT AREA, MATTE TIN ON TAILS
 -F: 3µ" SELECTIVE GOLD IN CONTACT AREA, MATTE TIN ON TAILS
 -H: 30µ" GOLD IN CONTACT AREA, 3µ" GOLD ON TAIL

EDGE MOUNT THICKNESS
 -EM2: .064[1.63] ±.004 PCB(USE BSS-XXX-01-D-EM2 & C-162-01-X-2)
 -EM3: (USE BSS-XXX-01-D-EM3 & C-162-02-X-2)
SEE NOTE 6

ROW SPECIFICATION
 -D: DOUBLE (USE BSS-XXX-01-D-EMX)



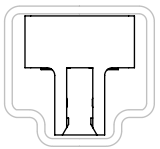
SECTION "A-A"
 EDGE MOUNT THICKNESS
 -EM2: .064[1.63] ±.004 PCB



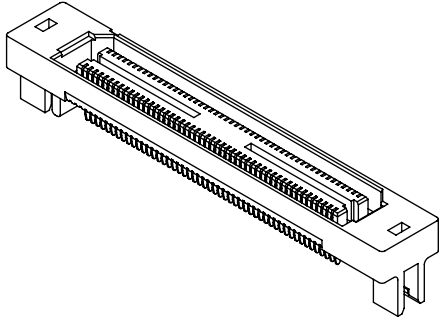
SECTION "A-A"
 EDGE MOUNT THICKNESS
 -EM3:
 SEE NOTE 6
 (DIFFERENT AS SHOWN, OTHERWISE SAME AS -EM2 PCB THICKNESS)

- NOTES:
1. Ⓢ REPRESENTS A CRITICAL DIMENSION.
 2. CONTACT RETENTION: 4 OZ MIN.
 3. DELETED.
 4. PARTS ARE "MOLD TO POSITION".
 5. MAX VARIANCE OF .002.
 6. -EM3 IS NOT A STANDARD OFFERING; AVAILABLE AS AN ASP ONLY. PLEASE CONTACT SAMTEC INTERCONNECT PROCESSING GROUP WITH ORDER INQUIRIES.
 7. FOR NEW APPLICATIONS REQUIRING THESE POSITIONS. PLEASE CONTACT SAMTEC INTERCONNECT GROUP.

PACKAGING VIEW



TUBE: PT-1-24-02-38
 PLUG: TP-03



| | | | |
|--|---|--|-----------------------------------|
| UNLESS OTHERWISE SPECIFIED, DIMENSIONS ARE IN INCHES. TOLERANCES ARE: DECIMALS ANGLES .XX: ±.01[.3] 2° .XXX: ±.005[.13] .XXXX: ±.0020[.051] | PROPRIETARY NOTE THIS DOCUMENT CONTAINS INFORMATION CONFIDENTIAL AND PROPRIETARY TO SAMTEC, INC. AND SHALL NOT BE REPRODUCED OR TRANSFERRED TO OTHER DOCUMENTS OR DISCLOSED TO OTHERS OR USED FOR ANY PURPOSE OTHER THAN THAT WHICH IT WAS OBTAINED WITHOUT THE EXPRESSED WRITTEN CONSENT OF SAMTEC, INC. | | |
| | | 520 PARK EAST BLVD, NEW ALBANY, IN 47150 PHONE: 812-944-6733 FAX: 812-948-5047 e-Mail: info@SAMTEC.com code: 55322 | |
| MATERIAL: DO NOT SCALE DRAWING SHEET SCALE: 1.5:1 INSULATOR: VECTRA E130; COLOR: BLACK CONTACT: PHOS BRONZE, 510 SPRING TEMPER THICKNESS: .0060 | DESCRIPTION: .635mm EDGE MOUNT MI SOCKET ASSEMBLY | DWG. NO. BSS-XXX-01-X-D-EMX | BY: DEAN P 5/26/2000 SHEET 1 OF 1 |
| F:\DWG\MISC\MKTG\BSS-XXX-01-X-D-EMX-MKT.SLDDRW | | | |