

**DESIGNED AND DIMENSIONED IN MILLIMETERS [INCHES]  
EXCEPT WHERE NOTED, ALL DIMENSIONS ARE REFERENCE**

(SEE C-489-XX-X FOR CONTROLLING PRINT)

DO NOT  
SCALE FROM  
THIS PRINT

CC489-XX-X-X

**LEAD STYLE**

- 01: 16 AWG 300V  
18 AWG 300V,  
16 AWG 600V(FEP)
- \*\*02: 18 AWG 300V(FEP)

(\*\* = NOT RELEASED)

**PACKAGING SPECIFICATION**

- R: REEL (5,000 CONTACTS PER REEL)
- M: MINI REEL (1,000 CONTACTS PER REEL)
- B: BUBBLE BAG (35 CONTACTS)

**PLATING**

- T: BRIGHT ACID TIN (B.A.T.)
- L: 10µ" SELECTIVE GOLD IN CONTACT AREA, BRIGHT ACID TIN (B.A.T.) ON THE TAIL
- S: 30µ" SELECTIVE GOLD IN CONTACT AREA, BRIGHT ACID TIN (B.A.T.) ON THE TAIL

TABLE 1		
LEAD STYLE	"A"	"B"
-01	3.81 [.150]	3.21 [.126]
-02	3.06 [.120]	2.69 [.106]

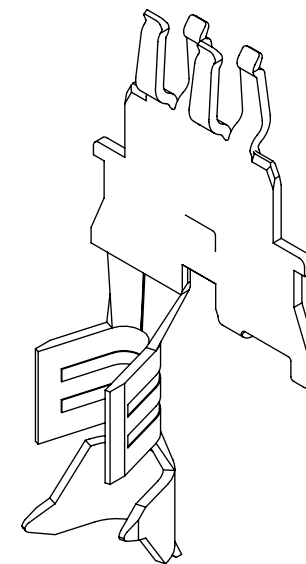
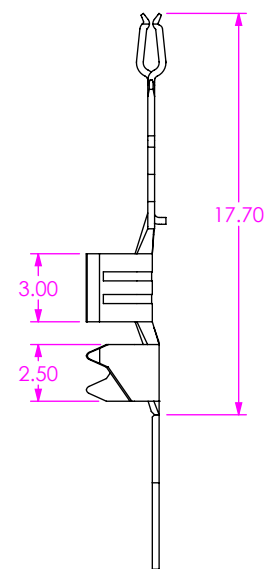
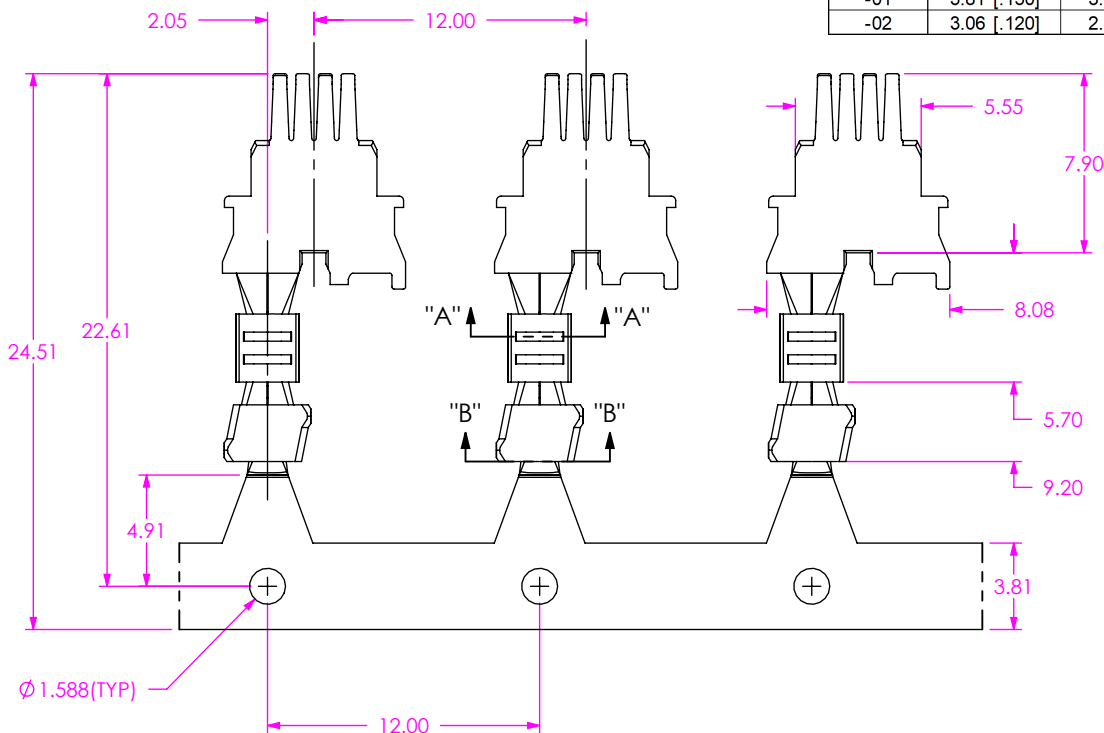
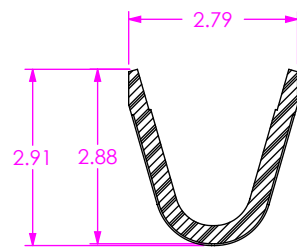


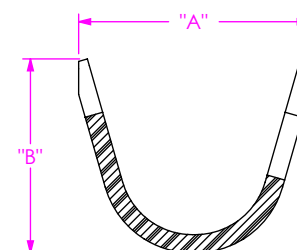
FIG 1  
CC489-01-X-X SHOWN

**NOTES:**

1. PLATED C-489 PARTS TO BE PULLED, PLATING OPTION CONFIRMED, POSITIONED AS SHOWN ON SAMTEC REEL WITH VIEWPORTS, LABELED CC489-XX-X-R WITH APPROPRIATE PLATING CALLOUT AND LABEL PLACED AS SHOWN.
2. MAXIMUM NO OF SPLICES PER REEL:  
-R: 2  
-M: 1
3. SPLICES ARE NOT TO BE CONNECTED.
4. NUMBER OF SPLICES TO BE MARKED ON EACH REEL.
5. REELED PARTS TO BE INTERLEAVED WITH PAPER BETWEEN EACH LAYER OF PARTS.
6. ALLOWABLE INTERLEAF SPLICES PER REEL:  
-R: 1  
-M: 1
7. SECURELY CONNECT INTERLEAF SPLICE.
8. OUTER WRAP FOR PROTECTIVE REEL BAND AS BELOW:  
-R: RB-24-1.25-P  
-M: CRT-032-0.018
9. DUE TO PLATING REQUIREMENTS CONTACT SAMPLES MAY BE REMOVED INTERMITTINGLY FROM THE CARRIER RESULTING IN SMALL GAPS BUT DOES NOT AFFECT FINAL COUNT.
10. QTY PER REEL:  
-R: 5,000  
-M: 1,000  
-B: 35 PCS



SECTION "A"-"A"  
SCALE 8 : 1



SECTION "B"-"B"  
SCALE 8 : 1

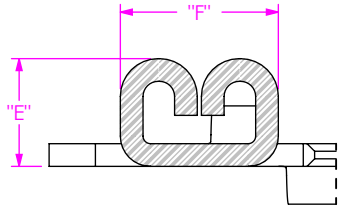
**PROPRIETARY NOTE**  
THIS DOCUMENT CONTAINS CONFIDENTIAL AND PROPRIETARY INFORMATION AND ALL DESIGN, MANUFACTURING, REPRODUCTION, USE, PATENT RIGHTS AND SALES RIGHTS ARE EXPRESSLY RESERVED BY SAMTEC, INC. THIS DOCUMENT SHALL NOT BE DISCLOSED, IN WHOLE OR PART, TO ANY UNAUTHORIZED PERSON OR ENTITY NOR REPRODUCED, TRANSFERRED OR INCORPORATED IN ANY OTHER PROJECT IN ANY MANNER WITHOUT THE EXPRESS WRITTEN CONSENT OF SAMTEC, INC.

MATERIAL: SHEET SCALE: 2:1  
DO NOT SCALE DRAWING  
COPPER ALLOY C19400 HARD  
THICKNESS: 0.300 +/-0.008

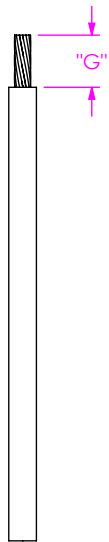
**samtec**  
520 PARK EAST BLVD, NEW ALBANY, IN 47150  
PHONE: 812-944-6733 FAX: 812-948-5047  
e-Mail info@SAMTEC.com code 55322

DESCRIPTION: UMPC CONTACT  
DWG. NO. CC489-XX-X-X  
BY: ETHAN C 07/25/2019 SHEET 1 OF 3

P/N	AWG	STRANDS/AWG	INSULATION	TABLE 2			
				OD	"E"	"F"	"G"
CC489-01-X	16	26/30	PVC	2.261 [.0890] - 2.413 [.0950]	1.420 [.0559]	2.080 [.0819]	3.810 [.1500]
	18	16/30		1.956 [.0770] - 2.108 [.0830]	1.300 [.0512]	2.080 [.0819]	
CC489-02-X	16	7/25	FEP	2.261 [.0890] - 2.413 [.0950]	1.420 [.0559]	2.080 [.0819]	
	18	19/30		1.664 [.0655] - 1.816 [.0715]	1.300 [.0512]	2.080 [.0819]	



WIRE CRIMP  
SCALE 10:1



INSULATION STRIP LENGTH

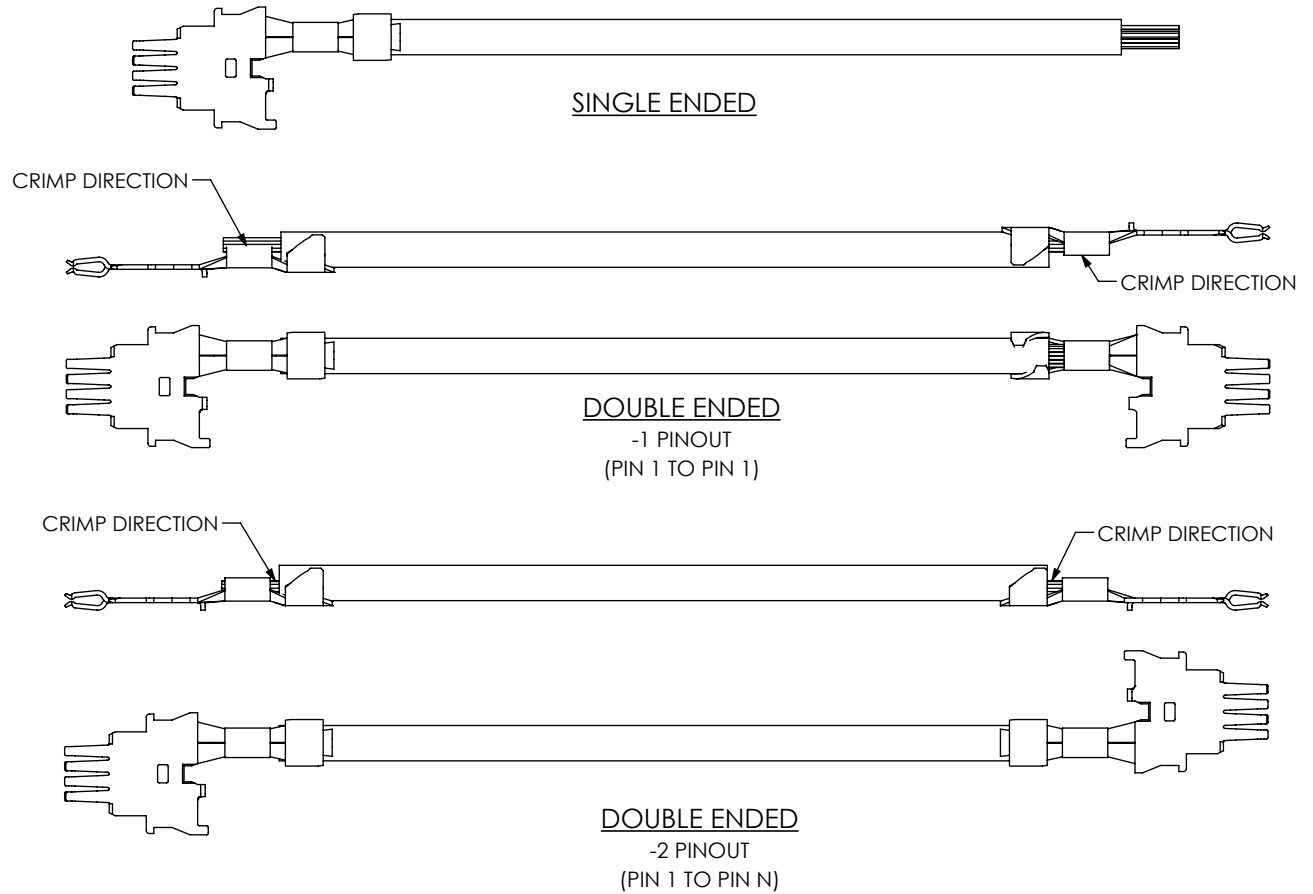


FIG 2  
RECOMMENDED PROCESSING

<p>DO NOT SCALE DRAWING</p> <p>SHEET SCALE: 2:1</p>	<p><b>PROPRIETARY NOTE</b></p> <p>THIS DOCUMENT CONTAINS CONFIDENTIAL AND PROPRIETARY INFORMATION AND ALL DESIGN, MANUFACTURING, REPRODUCTION, USE, PATENT RIGHTS AND SALES RIGHTS ARE EXPRESSLY RESERVED BY SAMTEC, INC. THIS DOCUMENT SHALL NOT BE DISCLOSED, IN WHOLE OR PART, TO ANY UNAUTHORIZED PERSON OR ENTITY NOR REPRODUCED, TRANSFERRED OR INCORPORATED IN ANY OTHER PROJECT IN ANY MANNER WITHOUT THE EXPRESS WRITTEN CONSENT OF SAMTEC, INC.</p>	<p>520 PARK EAST BLVD, NEW ALBANY, IN 47150 PHONE: 812-944-6733 FAX: 812-948-5047 e-Mail: info@SAMTEC.com code 55322</p>
	<p>DESCRIPTION: UMPC CONTACT</p>	
	<p>DWG. NO. CC489-XX-X-X</p>	
<p>BY: ETHAN C 07/25/2019</p>		<p>SHEET 2 OF 3</p>

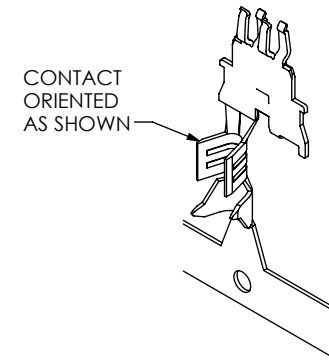
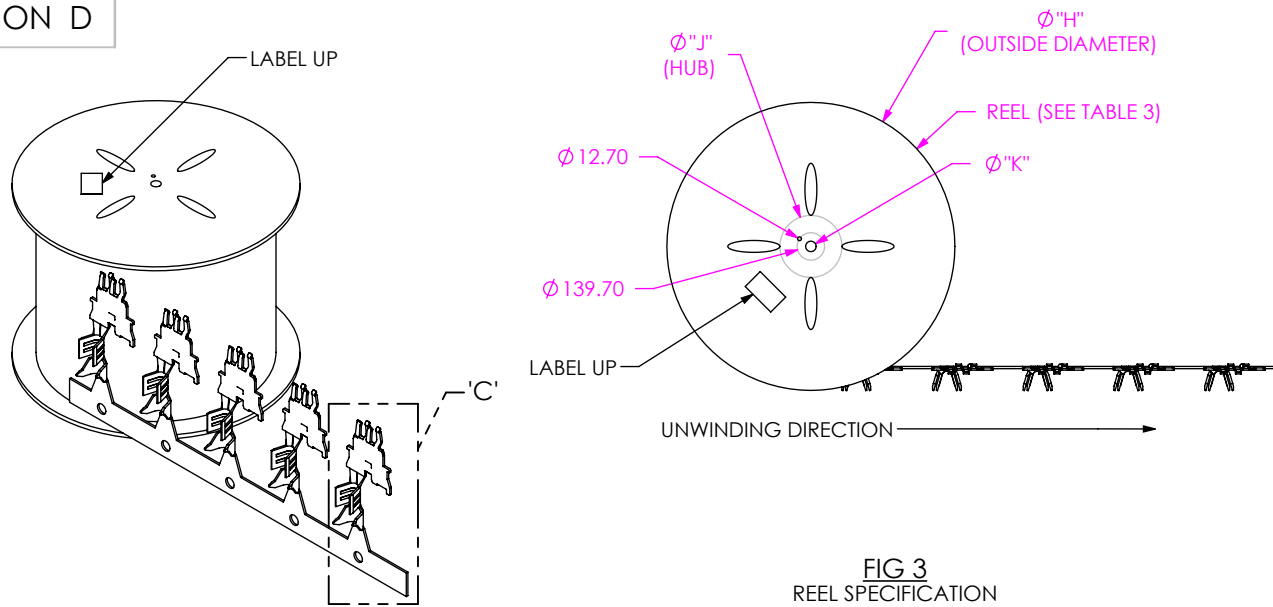


FIG 3  
REEL SPECIFICATION

DETAIL 'C'  
SCALE 2:1

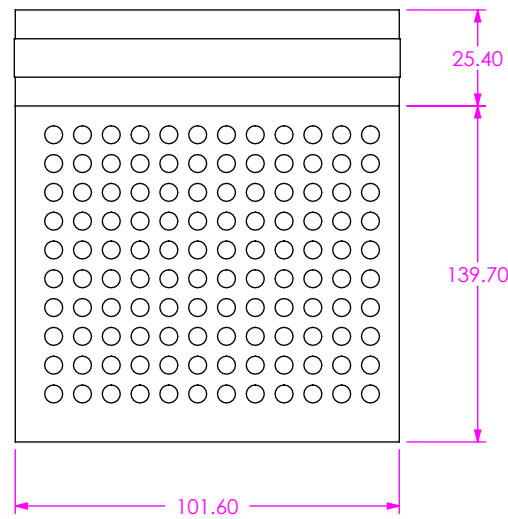


FIG 4  
BUBBLE BAG SPECIFICATION

TABLE 3				
SUPPLIED	PACKAGING PART NUMBER	"H"	"J"	"K"
-R	R-24-08.00-1.25-P	609.60	203.20	28.58
-M	MR-13.0-4.00-32	330.20	101.60	13.00
-B	ASBBLT4x5.5	N/A	N/A	N/A

**PROPRIETARY NOTE**  
 THIS DOCUMENT CONTAINS CONFIDENTIAL AND PROPRIETARY INFORMATION AND ALL DESIGN, MANUFACTURING, REPRODUCTION, USE, PATENT RIGHTS AND SALES RIGHTS ARE EXPRESSLY RESERVED BY SAMTEC, INC. THIS DOCUMENT SHALL NOT BE DISCLOSED, IN WHOLE OR PART, TO ANY UNAUTHORIZED PERSON OR ENTITY NOR REPRODUCED, TRANSFERRED OR INCORPORATED IN ANY OTHER PROJECT IN ANY MANNER WITHOUT THE EXPRESS WRITTEN CONSENT OF SAMTEC, INC.



520 PARK EAST BLVD, NEW ALBANY, IN 47150  
 PHONE: 812-944-6733 FAX: 812-948-5047  
 e-Mail info@SAMTEC.com code 55322

DO NOT SCALE DRAWING  
 SHEET SCALE: 2:1

DESCRIPTION:	UMPC CONTACT
DWG. NO.	CC489-XX-X-X
BY: ETHAN C	07/25/2019 SHEET 3 OF 3