

TABLE 1			
ITEM	COMPONENT	HH	GF
1	SUB ASSEMBLY	SUB-CJT-T-P-HH-RA-BH1	SUB-CJT-T-P-GF-RA-BH1
2	NUT	SMA-NUT-001-F	
3	WASHER	SMA-LWAS-001-F	
4	GASKET	CJT-GKT-001	

**DESIGNED & DIMENSIONED
IN MILLIMETERS [INCHES]**

CJT-T-P-XX-RA-BH1-X

PACKAGING
-BLANK: INDIVIDUALLY BAGGED
-B: BULK PACKAGE (QTY = 100 MAX)

GENDER
-J: JACK

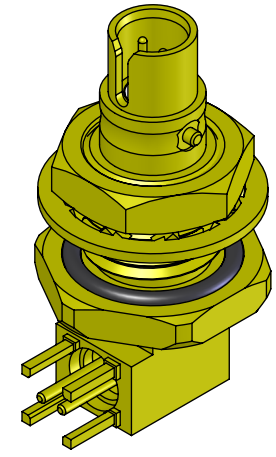
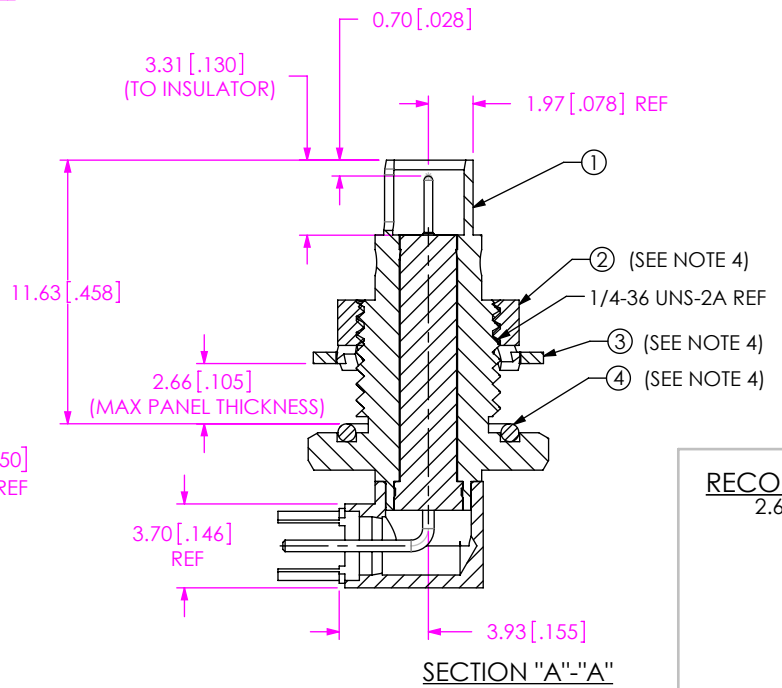
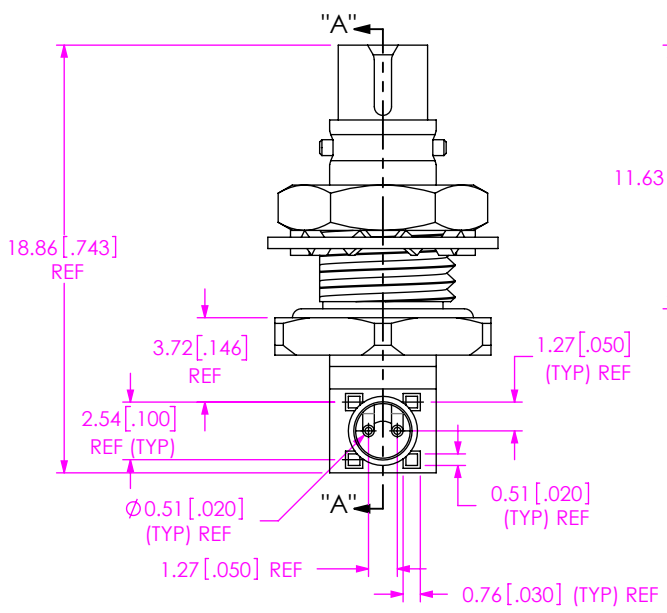
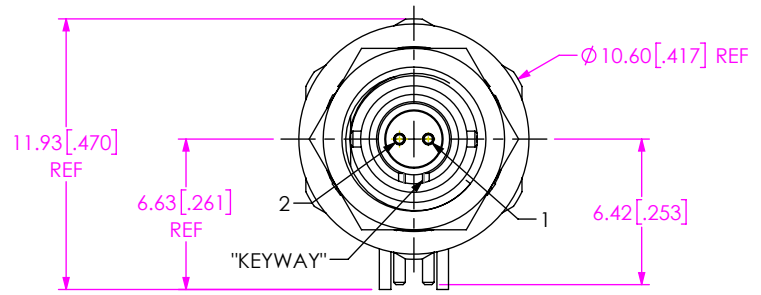
TYPE
-T: TERMINAL

TYPE
-P: PCB

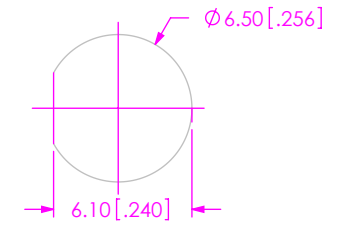
TERMINATION
-BH1: BULKHEAD THROUGH HOLE

ORIENTATION
-RA: RIGHT ANGLE

PLATING SPECIFICATION
-HH: HEAVY GOLD / HEAVY GOLD
30µ" Au / 50µ" Ni MIN ON PIN
30µ" Au / 50µ" Ni MIN ON OUTER CONTACT
-GF: GOLD / FLASH GOLD
10µ" Au / 50µ" Ni MIN ON PIN
3µ" Au / 50µ" Ni MIN ON OUTER CONTACT
(SEE TABLE 1)



RECOMMENDED MOUNTING HOLE
2.66 [.105] MAX PANEL THICKNESS



NOTES:

1. REPRESENTS A CRITICAL DIMENSION.
2. MINIMUM PUSHOUT FORCE FOR CENTER CONTACT: 10 N [2.25 LB].
INSULATOR: 20 N [4.5 LB].
3. PRODUCT TO BE PACKAGED PER PRECISION RF SECTION OF PACKAGING MANUAL.
4. NUT, WASHER, AND GASKET ARE PACKAGED SEPARATELY.

**UNLESS OTHERWISE SPECIFIED,
DIMENSIONS ARE IN MILLIMETERS.**

TOLERANCES ARE:
DECIMALS ANGLES
X.X: ±0.3 [.01] 5°
X.XX: ±0.13 [.005]
X.XXX: ±0.051 [.0020]

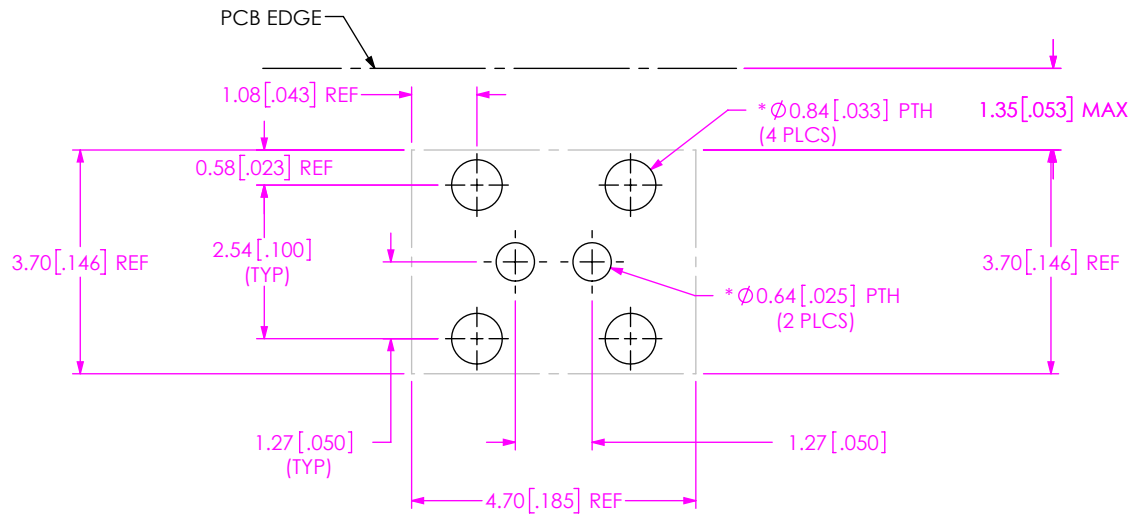
PROPRIETARY NOTE
* THIS DOCUMENT CONTAINS CONFIDENTIAL AND PROPRIETARY INFORMATION AND ALL DESIGN, MANUFACTURING, REPRODUCTION, USE, PATENT RIGHTS AND SALES RIGHTS ARE EXPRESSLY RESERVED BY SAMTEC, INC. THIS DOCUMENT SHALL NOT BE DISCLOSED, IN WHOLE OR PART, TO ANY UNAUTHORIZED PERSON OR ENTITY NOR REPRODUCED, TRANSFERRED OR INCORPORATED IN ANY OTHER PROJECT IN ANY MANNER WITHOUT THE EXPRESS WRITTEN CONSENT OF SAMTEC, INC.

MATERIAL: DO NOT SCALE DRAWING SHEET SCALE: 3:1
CONTACT: PHOS BRONZE
OTHER METAL: BRASS
DIELECTRIC: PTFE
GASKET: SILICONE

samtec
520 PARK EAST BLVD, NEW ALBANY, IN 47150
PHONE: 812-944-6733 FAX: 812-948-5047
e-Mail info@SAMTEC.com code 55322

DESCRIPTION:
CIRCULAR TWIN-AX JACK RIGHT ANGLE BULKHEAD
DWG. NO.
CJT-T-P-XX-RA-BH1-X
BY: ALVIN W 12/01/2010 SHEET 1 OF 3

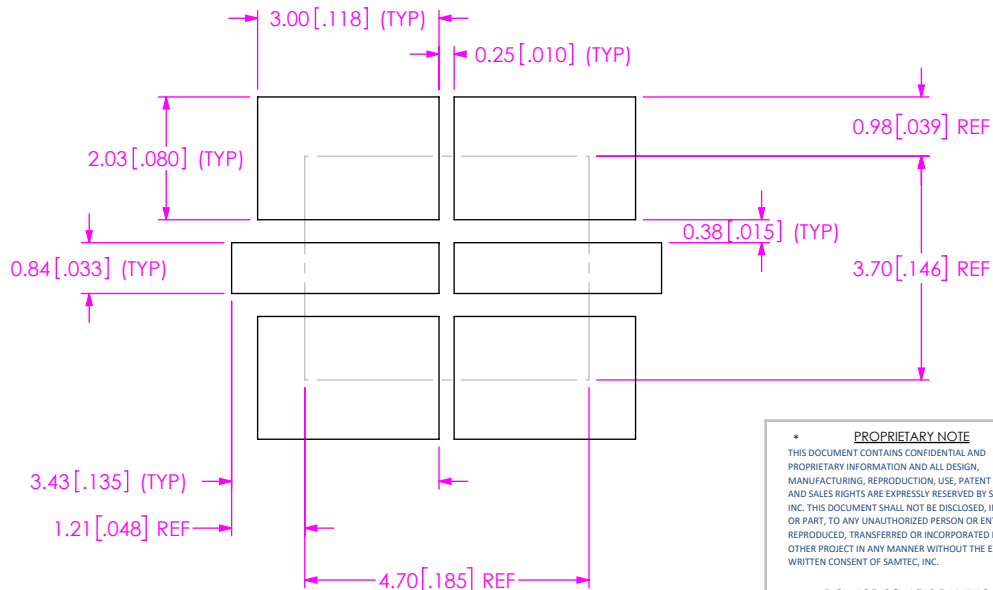
RECOMMENDED PCB LAYOUT



* TO BE SOLDERED USING PASTE-IN-HOLE TECHNOLOGY.

RECOMMENDED STENCIL LAYOUT

NOTE:
STENCIL TO BE .152 [.0060] THICK



PROPRIETARY NOTE
 THIS DOCUMENT CONTAINS CONFIDENTIAL AND PROPRIETARY INFORMATION AND ALL DESIGN, MANUFACTURING, REPRODUCTION, USE, PATENT RIGHTS AND SALES RIGHTS ARE EXPRESSLY RESERVED BY SAMTEC, INC. THIS DOCUMENT SHALL NOT BE DISCLOSED, IN WHOLE OR PART, TO ANY UNAUTHORIZED PERSON OR ENTITY NOR REPRODUCED, TRANSFERRED OR INCORPORATED IN ANY OTHER PROJECT IN ANY MANNER WITHOUT THE EXPRESS WRITTEN CONSENT OF SAMTEC, INC.

DO NOT SCALE DRAWING

SHEET SCALE: 8:1

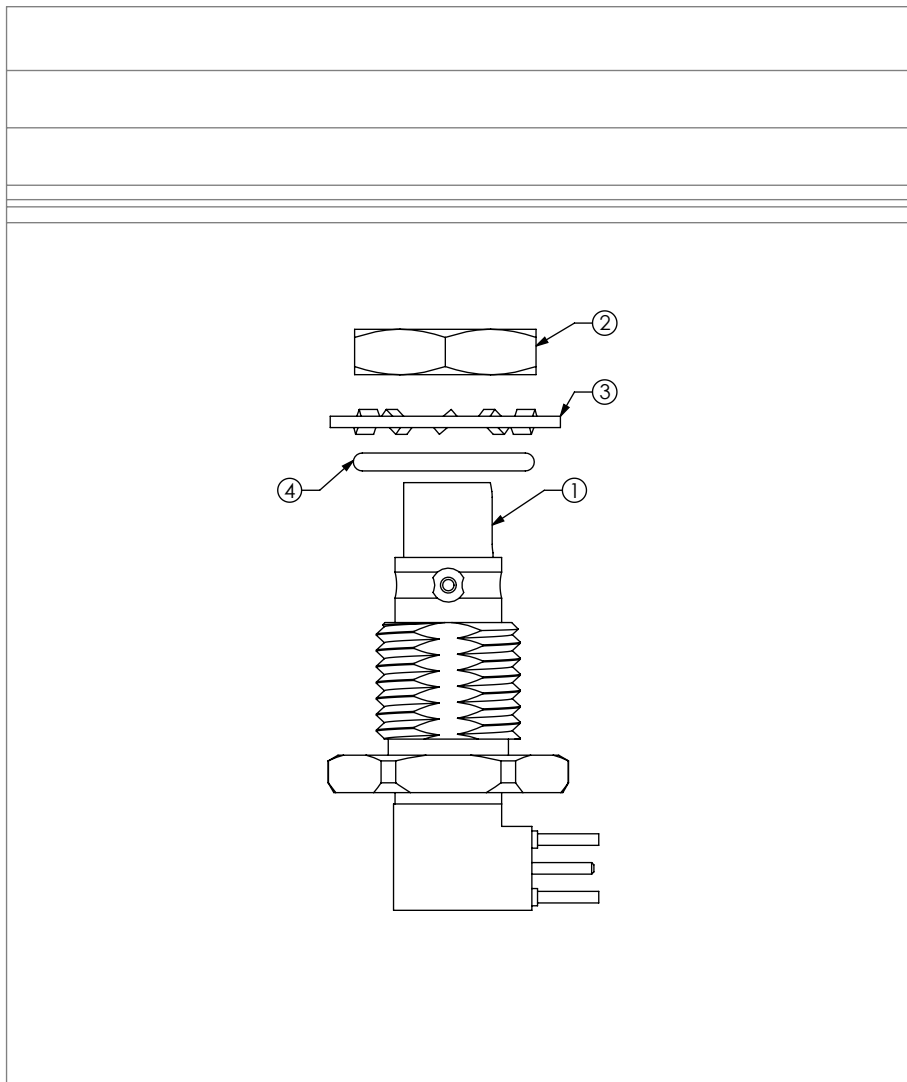


520 PARK EAST BLVD. NEW ALBANY, IN 47150
 PHONE: 812-944-6733 FAX: 812-948-5047
 e-Mail info@SAMTEC.com code 55322


DESCRIPTION:
CIRCULAR TWIN-AX JACK RIGHT ANGLE BULKHEAD

DWG. NO. CJT-T-P-XX-RA-BH1-X

BY: ALVIN W 12/01/2010 SHEET 2 OF 3



CJT-T-P-XX-RA-BH1 SHOWN

<p>PROPRIETARY NOTE</p> <p>THIS DOCUMENT CONTAINS CONFIDENTIAL AND PROPRIETARY INFORMATION AND ALL DESIGN, MANUFACTURING, REPRODUCTION, USE, PATENT RIGHTS AND SALES RIGHTS ARE EXPRESSLY RESERVED BY SAMTEC, INC. THIS DOCUMENT SHALL NOT BE DISCLOSED, IN WHOLE OR PART, TO ANY UNAUTHORIZED PERSON OR ENTITY NOR REPRODUCED, TRANSFERRED OR INCORPORATED IN ANY OTHER PROJECT IN ANY MANNER WITHOUT THE EXPRESS WRITTEN CONSENT OF SAMTEC, INC.</p>	 <p>520 PARK EAST BLVD, NEW ALBANY, IN 47150 PHONE: 812-944-6733 FAX: 812-948-5047 e-Mail info@SAMTEC.com code 55322</p>
<p>DO NOT SCALE DRAWING SHEET SCALE: 2:1 INSULATOR: CONTACT OR TERMINAL: SHIELD: PHOS BRONZE PLATING: CONTACT AREA: .000010 REF GOLD REMAINDER: .000200 REF TIN</p>	<p>DESCRIPTION: CIRCULAR TWIN-AX JACK RIGHT ANGLE BULKHEAD</p> <p>DWG. NO. CJT-T-P-XX-RA-BH1-X</p> <p>BY: ALVIN W 12/01/2010 SHEET 3 OF 3</p>