

DO NOT SCALE FROM THIS PRINT

EPTT-X-X-XX.X-D-RA

SERIES
EXAMAX™ POWER TRADITIONAL TERMINAL

ORIENTATION
-RA: RIGHT ANGLE

POSITION
-2 : 4 POSITIONS

ROWS
-D: DOUBLE

PLATING
-P: PALLADIUM WITH FLASH GOLD ON CONTACTS, MATTE TIN TAILS.

HEIGHT
11.5: 11.50mm

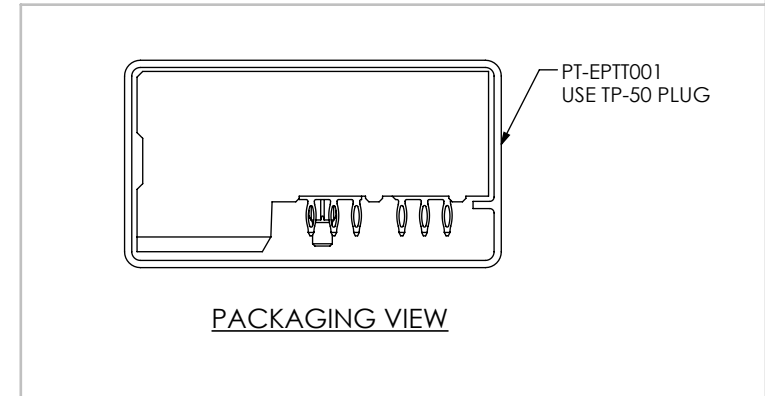
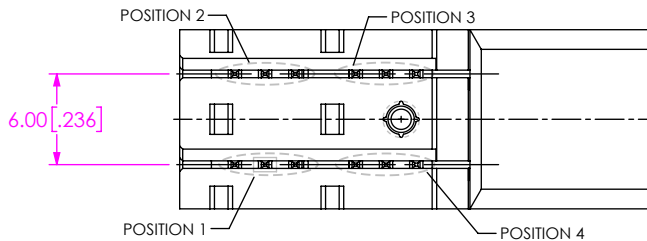
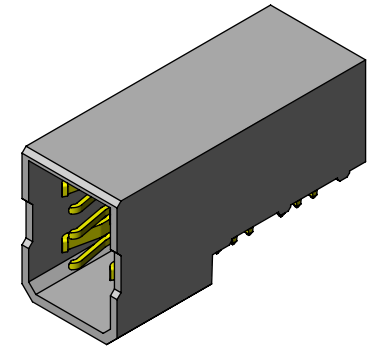
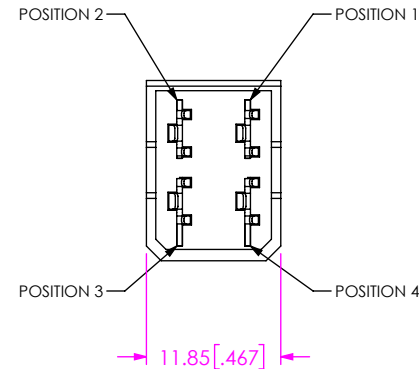
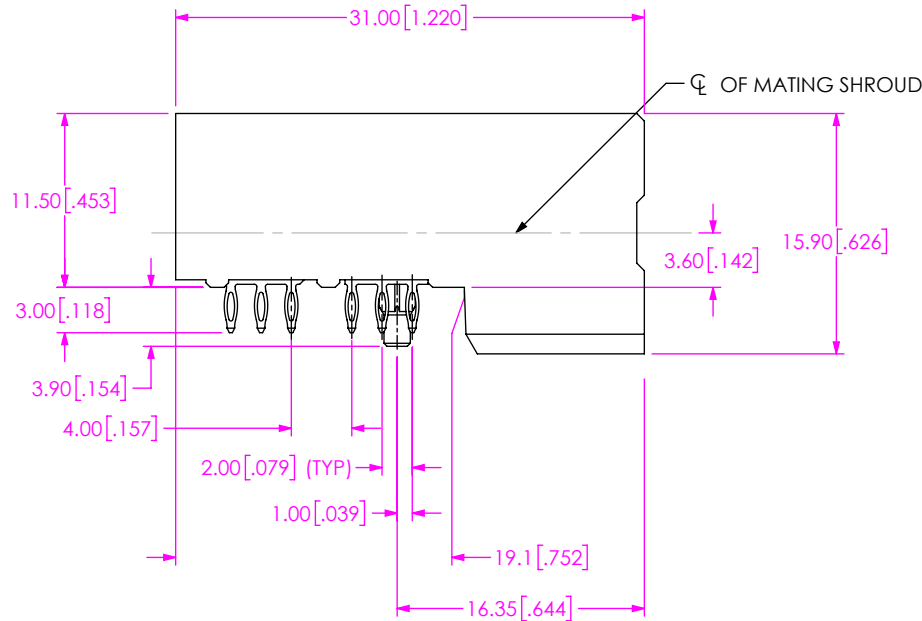


FIG 1
EPTT-2-X-11.5-D-RA SHOWN

NOTES:

1. REPRESENTS A CRITICAL DIMENSION.
2. TUBES ARE STANDARD PACKAGING.
3. SEE EPTT-X-X-XX.X-D-RA-FOOTPRINT DRAWING FOR RECOMMENDED PCB LAYOUT AND INFORMATION REGARDING PCB LAYOUT OF POWER MODULES RELATIVE TO SIGNAL MODULES.
4. MAXIMUM PULLOUT/PUSHOUT FORCE: 2.22N.
5. NOMINAL PCB THICKNESS: 1.6MM [0.062] MINIMUM.
6. ORDERS WILL BE PACKAGED ACCORDING TO THE SAMTEC PACKAGING EFFICIENCY STANDARDS (SPES) FOUND ON WWW.SAMTEC.COM

<p>UNLESS OTHERWISE SPECIFIED, DIMENSIONS ARE IN MILLIMETERS [INCHES]. TOLERANCES ARE:</p> <p>DECIMALS ANGLES</p> <p>X.X: ±0.3 [01] 2°</p> <p>X.XX: ±0.13 [005]</p> <p>X.XXX: ±0.051 [0020]</p>	<p>PROPRIETARY NOTE</p> <p>THIS DOCUMENT CONTAINS CONFIDENTIAL AND PROPRIETARY INFORMATION AND ALL DESIGN, MANUFACTURING, REPRODUCTION, USE, PATENT RIGHTS AND SALES RIGHTS ARE EXPRESSLY RESERVED BY SAMTEC, INC. THIS DOCUMENT SHALL NOT BE DISCLOSED, IN WHOLE OR PART, TO ANY UNAUTHORIZED PERSON OR ENTITY NOR REPRODUCED, TRANSFERRED OR INCORPORATED IN ANY OTHER PROJECT IN ANY MANNER WITHOUT THE EXPRESS WRITTEN CONSENT OF SAMTEC, INC.</p>	<p>520 PARK EAST BLVD, NEW ALBANY, IN 47150 PHONE: 812-944-6733 FAX: 812-948-5047 e-Mail info@SAMTEC.com code 55322</p>
<p>MATERIAL: DO NOT SCALE DRAWING</p> <p>INSULATOR: NYLON, COLOR BLACK</p> <p>CONTACTS: COPPER ALLOY</p>	<p>SHEET SCALE: 2:1</p>	<p>DESCRIPTION: EXAMAX® POWER-RIGHT ANGLE HEADER ASSY</p>
<p>DWG. NO. EPTT-X-X-XX.X-D-RA</p>		
<p>BY: KNOWLDEN 9/3/2015 SHEET 1 OF 1</p>		