

**Pb** THIS PRODUCT MANUFACTURED WITH LEAD-FREE PROCESSING

END TO END	"B"
DV TO DV	.820 [20.82]

DO NOT SCALE FROM THIS PRINT

EQRP-XXX-XX.XX-XXX-XXX-X-X

**No OF PAIRS**  
-018, -036, -054  
(NUMBER OF PAIRS)

**LENGTH**  
-XX.XX (INCHES)  
(01.72 [43.7] MIN)  
(SEE NOTE 8)  
(SEE NOTE 9)

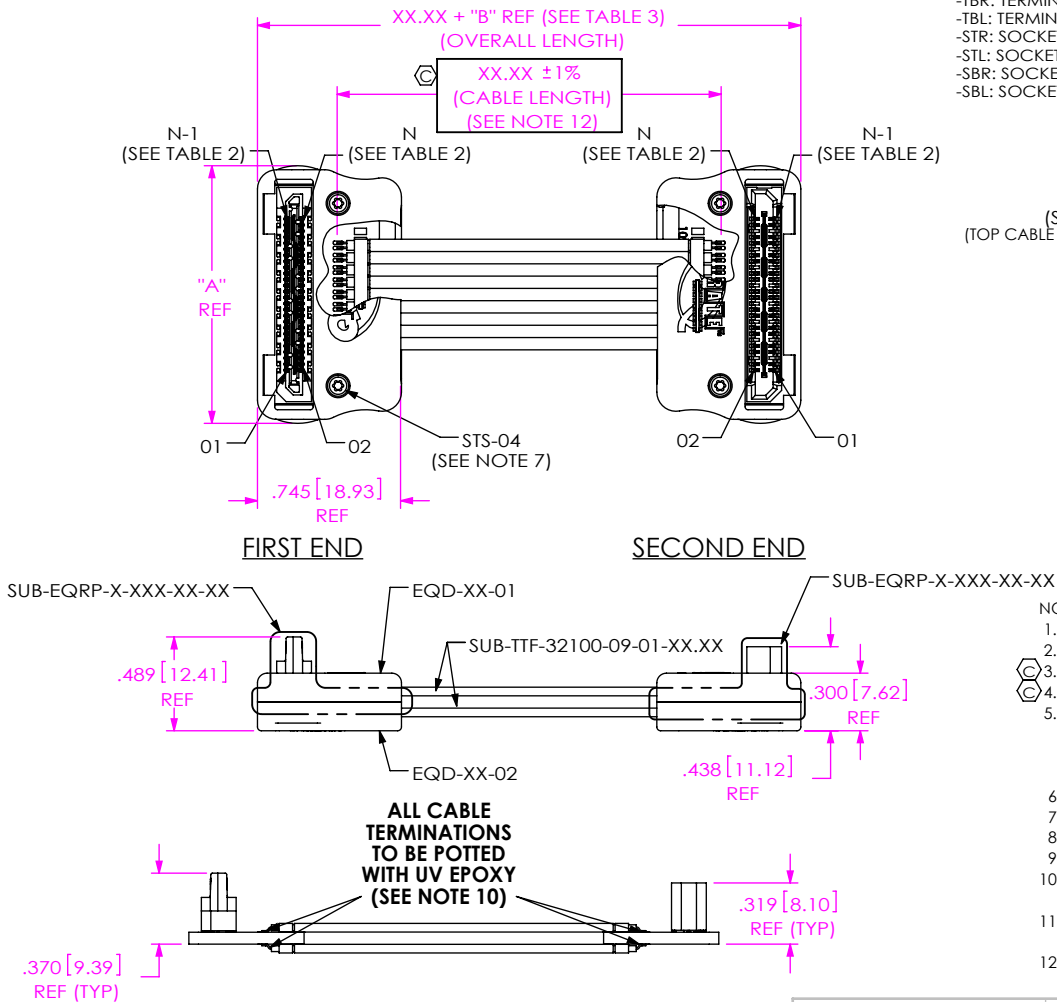
**END OPTION**  
-F: SCREW OPTION FIRST END ONLY  
-S: SCREW OPTION SECOND END ONLY  
-B: SCREW OPTION BOTH ENDS  
-N: NO CAP OPTION BOTH ENDS  
(SEE SHEET 3, FIGURE 3 FOR DETAILS)  
(LEAVE BLANK FOR STANDARD HOUSINGS)

**WIRING OPTION**  
-1: PIN 1 TO PIN 1  
-2: PIN 1 TO PIN 2  
-3: PIN 1 TO PIN N-1  
-4: PIN 1 TO PIN N  
(SEE TABLE 6, SHEET 4)

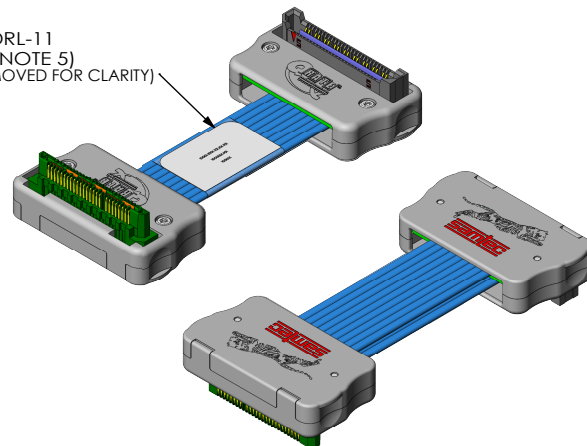
**FIRST END**  
-TTR: TERMINAL, TOP, RIGHT  
-TTL: TERMINAL, TOP, LEFT  
-TBR: TERMINAL, BOTTOM, RIGHT  
-TBL: TERMINAL, BOTTOM, LEFT  
-STR: SOCKET, TOP, RIGHT  
-STL: SOCKET, TOP, LEFT  
-SBR: SOCKET, BOTTOM, RIGHT  
-SBL: SOCKET, BOTTOM, LEFT

**SECOND END**  
-TTR: TERMINAL, TOP, RIGHT  
-TTL: TERMINAL, TOP, LEFT  
-TBR: TERMINAL, BOTTOM, RIGHT  
-TBL: TERMINAL, BOTTOM, LEFT  
-STR: SOCKET, TOP, RIGHT  
-STL: SOCKET, TOP, LEFT  
-SBR: SOCKET, BOTTOM, RIGHT  
-SBL: SOCKET, BOTTOM, LEFT

**FIG 1**  
(EQRP-018-XX.XX-TTL-STR-X-X SHOWN)



HDRL-11  
(SEE NOTE 5)  
(TOP CABLE REMOVED FOR CLARITY)



- NOTES:
- ⊕ REPRESENTS A CRITICAL DIMENSION.
  - PARTS TO BE PROCESSED PER SAMTEC BOUNDARY DOCUMENTS GUIDELINES.
  - ALL ASSEMBLIES TO BE 100% ELECTRICALLY TESTED.
  - ALL ASSEMBLIES TO BE 100% HI-POT TESTED AT 300V.
  - LABEL TO BE CENTERED ON BOTTOM CABLE AS SHOWN. LABEL TO CONTAIN:  
LINE 1 - PART NUMBER "EQRP-XXX-XX.XX-XXX-XXX-X"  
LINE 2 - SHOP ORDER NUMBER "XXXXXX"  
LINE 3 - DATE CODE "XXXXX"
  - FOR PACKAGING REQUIREMENTS REFERENCE PACKAGING STANDARDS.
  - TIGHTEN STS-04 FASTENERS TO 1.4-1.7 IN-LBS (4 PLCS).
  - SUB-TTF LENGTH IS EQUAL TO EQRP LENGTH.
  - CABLE LENGTHS LONGER THAN 40.00 INCHES ARE NOT SUPPORTED BY S.I. TEST DATA.
  - ALL END OPTION, W/ OR W/OUT CAPS, MUST BE POTTED WITH UV EPOXY ON CABLE TERMINATIONS (SEE SHEET 3).
  - REFER TO PREP-SPEC DRAWING FOR CABLE PREP DIMENSIONS. ASSEMBLY USES STANDARD PCB PREP.
  - FOR CABLE LENGTHS LESS THAN 5 INCHES, CABLE LENGTH AND OVERALL LENGTH TOLERANCE IS ± 0.05 INCHES. FOR CABLE LENGTHS GREATER THAN 5 INCHES, USE ± 1% FOR BOTH.

# OF PAIRS	N	N-1
-018	36	35
-036	72	71
-054	108	107

# OF PAIRS	"A"	EQD-XX-01	EQD-XX-02	SUB-TTF-32100-XX-XX-XX.XX		SUB-EQRP-X-XXX-XX-XX-X (SEE TABLE 6)
				PART #	QTY	
-018	1.300 [33.02]	EQD-01-01	EQD-01-02	SUB-TTF-32100-09-01-XX.XX	2	SUB-EQRP-X-018-XX-XX-X
-036	2.276 [57.81]	EQD-02-01	EQD-02-02	SUB-TTF-32100-09-01-XX.XX	4	SUB-EQRP-X-036-XX-XX-X
-054	3.253 [82.63]	EQD-03-01	EQD-03-02	SUB-TTF-32100-09-01-XX.XX	6	SUB-EQRP-X-054-XX-XX-X

TOLERANCES DO NOT APPLY TO REFERENCE DIMENSIONS, UNLESS OTHERWISE SPECIFIED. DIMENSIONS ARE IN INCHES. TOLERANCES ARE:  
DECIMALS .XX: ± 0.1 [3]  
.XXX: ± 0.05 [13]  
.XXXX: ± 0.020 [051]

**PROPRIETARY NOTE**  
THIS DOCUMENT CONTAINS CONFIDENTIAL AND PROPRIETARY INFORMATION AND ALL DESIGN, MANUFACTURING, REPRODUCTION, USE, PATENT RIGHTS AND SALES RIGHTS ARE EXPRESSLY RESERVED BY SAMTEC, INC. THIS DOCUMENT SHALL NOT BE DISCLOSED, IN WHOLE OR PART, TO ANY UNAUTHORIZED PERSON OR ENTITY NOR REPRODUCED, TRANSMITTED OR INCORPORATED IN ANY OTHER PROJECT IN ANY MANNER WITHOUT THE EXPRESS WRITTEN CONSENT OF SAMTEC, INC.



520 PARK EAST BLVD, NEW ALBANY, IN 47150  
PHONE: 812-944-6733 FAX: 812-948-5047  
e-Mail info@SAMTEC.com code 53322

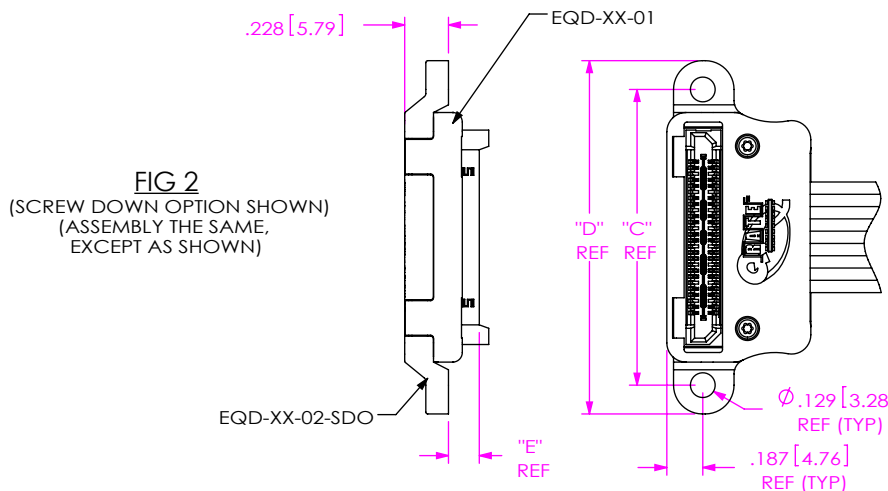
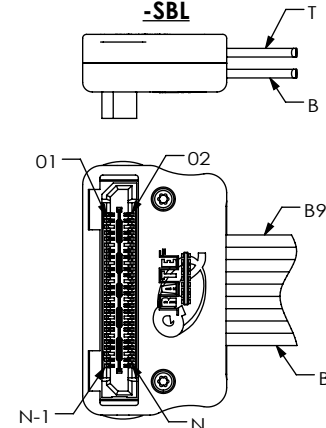
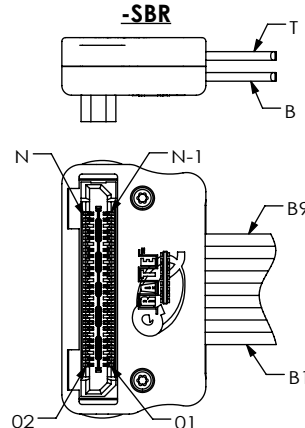
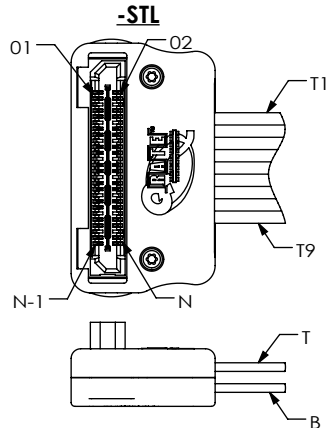
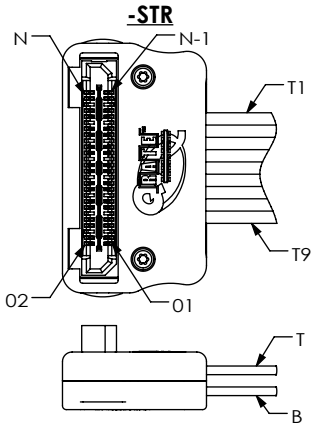
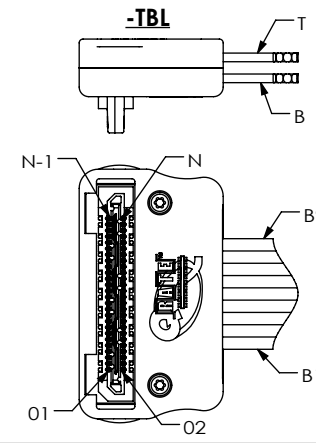
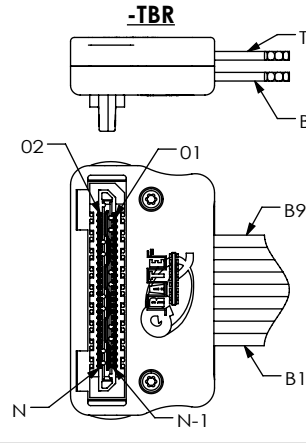
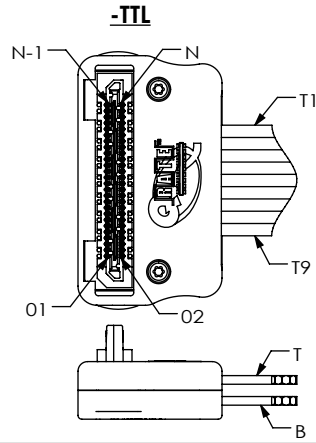
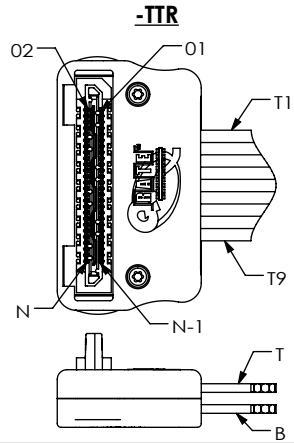
**MATERIAL:** DO NOT SCALE DRAWING SHEET SCALE: 1:1  
PLATING: -S GOLD: 30µ" CONTACT

DESCRIPTION:  
0.8MM Q-RATE TWINAX CABLE ASSEMBLY

DWG. NO.  
EQRP-XXX-XX.XX-XXX-XXX-X-X

BY: J. Riley 08/10/09 SHEET 1 OF 4

FIRST END



**TABLE 4**

# OF PAIRS	"C"	"D"	EQD-XX-02-SDO
-018	1.540 [39.12]	1.840 [46.74]	EQD-01-02-SDO
-036	2.516 [63.91]	2.816 [71.53]	EQD-02-02-SDO
-054	3.492 [88.70]	3.792 [96.32]	EQD-03-02-SDO

**TABLE 5**

END OPTION	"E"
-TXX	.135 [3.43]
-SXX	.160 [4.08]

**PROPRIETARY NOTE**  
 THIS DOCUMENT CONTAINS CONFIDENTIAL AND PROPRIETARY INFORMATION AND ALL DESIGN, MANUFACTURING, REPRODUCTION, USE, PATENT RIGHTS AND SALES RIGHTS ARE EXPRESSLY RESERVED BY SAMTEC, INC. THIS DOCUMENT SHALL NOT BE DISCLOSED, IN WHOLE OR PART, TO ANY UNAUTHORIZED PERSON OR ENTITY NOR REPRODUCED, TRANSFERRED OR INCORPORATED IN ANY OTHER PROJECT IN ANY MANNER WITHOUT THE EXPRESS WRITTEN CONSENT OF SAMTEC, INC.

DO NOT SCALE DRAWING



520 PARK EAST BLVD, NEW ALBANY, IN 47150  
 PHONE: 812-944-6733 FAX: 812-948-5047  
 e-Mail: info@SAMTEC.com code 55322

DESCRIPTION:  
 0.8MM Q-RATE TWINAX CABLE ASSEMBLY  
 DWG. NO.  
 EQRP-XXX-XX.XX-XXX-XXX-X-X  
 BY: J. Riley 08/10/09 SHEET 2 OF 4

SECOND END

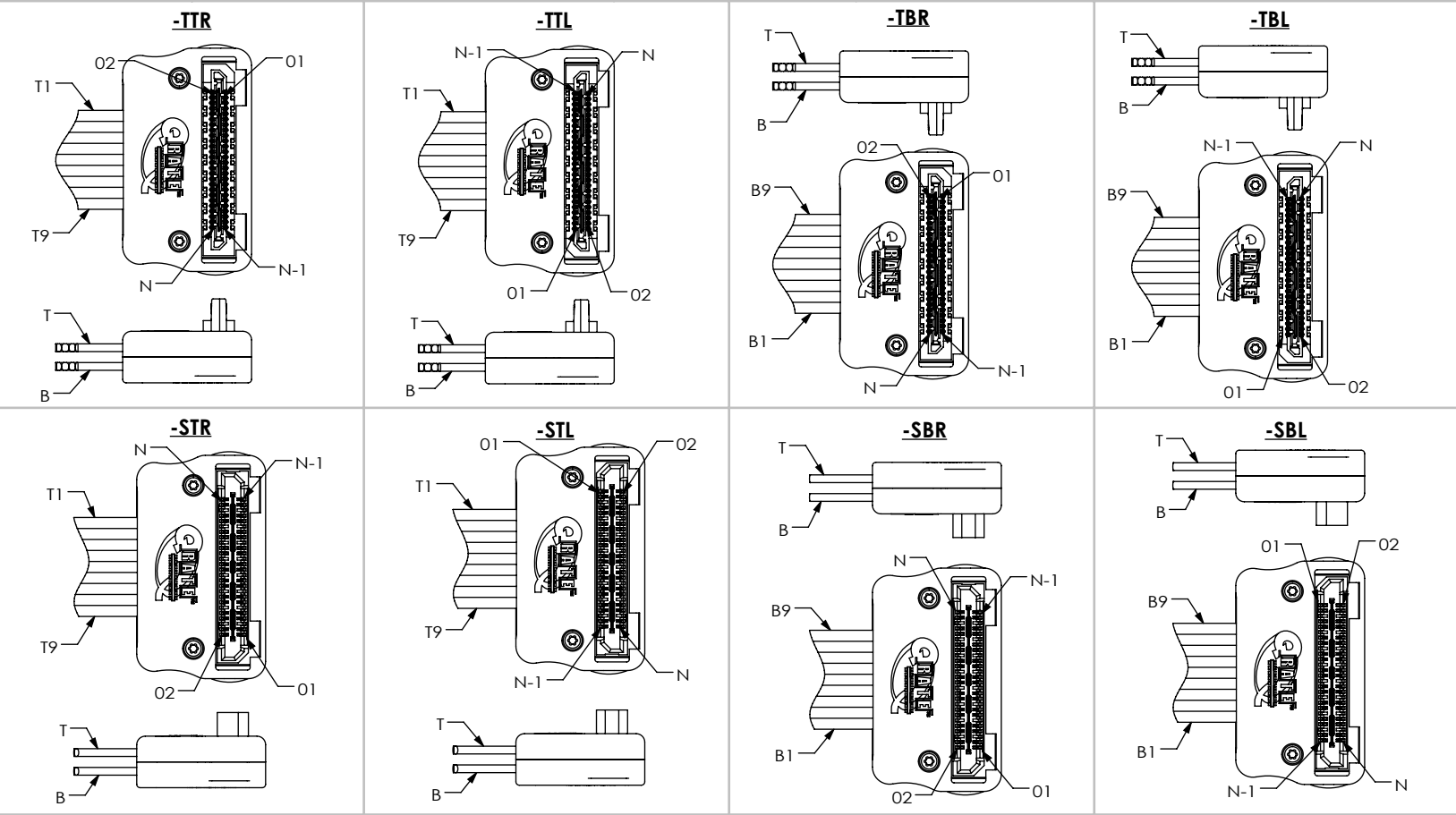
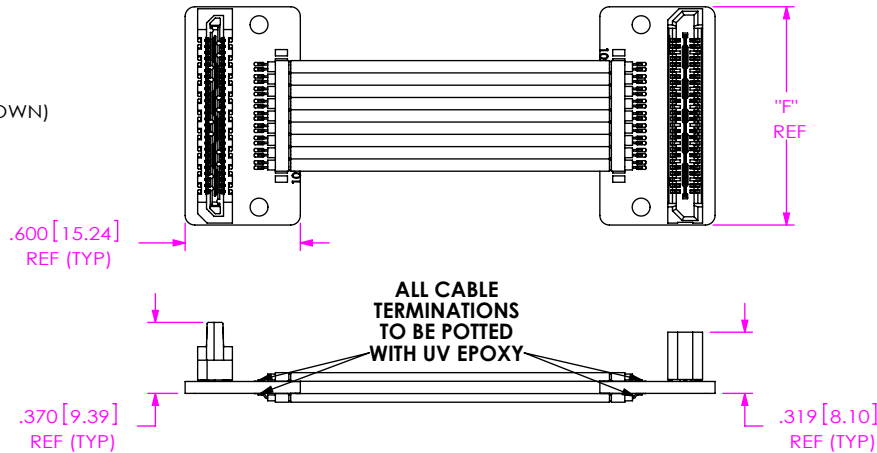


FIG 3  
(EQRP-018-XX.XX-TTL-STR-X-X SHOWN)  
(ASSEMBLY THE SAME,  
EXCEPT AS SHOWN)



# OF POSITIONS	"F"
-018	1.136 [28.85]
-036	2.113 [53.67]
-054	3.089 [78.46]

**PROPRIETARY NOTE**  
THIS DOCUMENT CONTAINS CONFIDENTIAL AND PROPRIETARY INFORMATION AND ALL DESIGN, MANUFACTURING, REPRODUCTION, USE, PATENT RIGHTS AND SALES RIGHTS ARE EXPRESSLY RESERVED BY SAMTEC, INC. THIS DOCUMENT SHALL NOT BE DISCLOSED, IN WHOLE OR PART, TO ANY UNAUTHORIZED PERSON OR ENTITY NOR REPRODUCED, TRANSFERRED OR INCORPORATED IN ANY OTHER PROJECT IN ANY MANNER WITHOUT THE EXPRESS WRITTEN CONSENT OF SAMTEC, INC.



520 PARK EAST BLVD., NEW ALBANY, IN 47150  
PHONE: 812-944-6733 FAX: 812-948-5047  
e-Mail: info@SAMTEC.com code 55322

DO NOT SCALE DRAWING

DESCRIPTION:  
0.8MM Q-RATE TWINAX CABLE ASSEMBLY  
DWG. NO.  
EQRP-XXX-XX.XX-XXX-XXX-X-X  
BY: J. Riley 08/10/09 SHEET 3 OF 4

TABLE 6

FIRST END OPTION	FIRST END SUB-EQRP-X-XXX-XX-01	WIRING OPTION	FIRST END PIN #	SECOND END PIN #	WIRE #	SECOND END OPTION (SUB-EQRP-X-XXX-XX-XX)							
						-TTR	-TTL	-TBR	-TBL	-STR	-STL	-SBR	-SBL
-TTR	-T-XXX-01-01	1	1	1	T1	-T-XXX-02-02	N/A	N/A	-T-XXX-01-02	N/A	-S-XXX-01-01	-S-XXX-02-01	N/A
		2	1	2	T1	-T-XXX-02-01	N/A	N/A	-T-XXX-01-01	N/A	-S-XXX-01-02	-S-XXX-02-02	N/A
		3	1	N-1	T1	N/A	-T-XXX-01-01	-T-XXX-02-01	N/A	-S-XXX-02-02	N/A	N/A	-S-XXX-01-02
		4	1	N	T1	N/A	-T-XXX-01-02	-T-XXX-02-02	N/A	-S-XXX-02-01	N/A	N/A	-S-XXX-01-01
-TTL	-T-XXX-02-01	1	1	1	B20	N/A	-T-XXX-01-02	-T-XXX-02-02	N/A	-S-XXX-02-01	N/A	N/A	-S-XXX-01-01
		2	1	2	B20	N/A	-T-XXX-01-01	-T-XXX-02-01	N/A	-S-XXX-02-02	N/A	N/A	-S-XXX-01-02
		3	1	N-1	B20	-T-XXX-02-01	N/A	N/A	-T-XXX-01-01	N/A	-S-XXX-01-02	-S-XXX-02-02	N/A
		4	1	N	B20	-T-XXX-02-02	N/A	N/A	-T-XXX-01-02	N/A	-S-XXX-01-01	-S-XXX-02-01	N/A
-TBR	-T-XXX-01-01	1	1	1	B20	N/A	-T-XXX-01-02	-T-XXX-02-02	N/A	-S-XXX-02-01	N/A	N/A	-S-XXX-01-01
		2	1	2	B20	N/A	-T-XXX-01-01	-T-XXX-02-01	N/A	-S-XXX-02-02	N/A	N/A	-S-XXX-01-02
		3	1	N-1	B20	-T-XXX-02-01	N/A	N/A	-T-XXX-01-01	N/A	-S-XXX-01-02	-S-XXX-02-02	N/A
		4	1	N	B20	-T-XXX-02-02	N/A	N/A	-T-XXX-01-02	N/A	-S-XXX-01-01	-S-XXX-02-01	N/A
-TBL	-T-XXX-02-01	1	1	1	T1	-T-XXX-02-02	N/A	N/A	-T-XXX-01-02	N/A	-S-XXX-01-01	-S-XXX-02-01	N/A
		2	1	2	T1	-T-XXX-02-01	N/A	N/A	-T-XXX-01-01	N/A	-S-XXX-01-02	-S-XXX-02-02	N/A
		3	1	N-1	T1	N/A	-T-XXX-01-01	-T-XXX-02-01	N/A	-S-XXX-02-02	N/A	N/A	-S-XXX-01-02
		4	1	N	T1	N/A	-T-XXX-01-02	-T-XXX-02-02	N/A	-S-XXX-02-01	N/A	N/A	-S-XXX-01-01
-STR	-S-XXX-01-01	1	1	1	T20	N/A	-T-XXX-01-01	-T-XXX-02-01	N/A	-S-XXX-02-02	N/A	N/A	-S-XXX-01-02
		2	1	2	T20	N/A	-T-XXX-01-02	-T-XXX-02-02	N/A	-S-XXX-02-01	N/A	N/A	-S-XXX-01-01
		3	1	N-1	T20	-T-XXX-02-02	N/A	N/A	-T-XXX-01-02	N/A	-S-XXX-01-01	-S-XXX-02-01	N/A
		4	1	N	T20	-T-XXX-02-01	N/A	N/A	-T-XXX-01-01	N/A	-S-XXX-01-02	-S-XXX-02-02	N/A
-STL	-S-XXX-02-01	1	1	1	B1	-T-XXX-02-01	N/A	N/A	-T-XXX-01-01	N/A	-S-XXX-01-02	-S-XXX-02-02	N/A
		2	1	2	B1	-T-XXX-02-02	N/A	N/A	-T-XXX-01-02	N/A	-S-XXX-01-01	-S-XXX-02-01	N/A
		3	1	N-1	B1	N/A	-T-XXX-01-02	-T-XXX-02-02	N/A	-S-XXX-02-01	N/A	N/A	-S-XXX-01-01
		4	1	N	B1	N/A	-T-XXX-01-01	-T-XXX-02-01	N/A	-S-XXX-02-02	N/A	N/A	-S-XXX-01-02
-SBR	-S-XXX-01-01	1	1	1	B1	-T-XXX-02-01	N/A	N/A	-T-XXX-01-01	N/A	-S-XXX-01-02	-S-XXX-02-02	N/A
		2	1	2	B1	-T-XXX-02-02	N/A	N/A	-T-XXX-01-02	N/A	-S-XXX-01-01	-S-XXX-02-01	N/A
		3	1	N-1	B1	N/A	-T-XXX-01-02	-T-XXX-02-02	N/A	-S-XXX-02-01	N/A	N/A	-S-XXX-01-01
		4	1	N	B1	N/A	-T-XXX-01-01	-T-XXX-02-01	N/A	-S-XXX-02-02	N/A	N/A	-S-XXX-01-02
-SBL	-S-XXX-02-01	1	1	1	T20	N/A	-T-XXX-01-01	-T-XXX-02-01	N/A	-S-XXX-02-02	N/A	N/A	-S-XXX-01-02
		2	1	2	T20	N/A	-T-XXX-01-02	-T-XXX-02-02	N/A	-S-XXX-02-01	N/A	N/A	-S-XXX-01-01
		3	1	N-1	T20	-T-XXX-02-02	N/A	N/A	-T-XXX-01-02	N/A	-S-XXX-01-01	-S-XXX-02-01	N/A
		4	1	N	T20	-T-XXX-02-01	N/A	N/A	-T-XXX-01-01	N/A	-S-XXX-01-02	-S-XXX-02-02	N/A

POSITION	1	3	5	7	...	N-5	N-3	N-1
SIGNAL	S	S	S	S		S	S	S
SIGNAL	S	S	S	S		S	S	S
POSITION	2	4	6	8	...	N-4	N-2	N

(GROUND BLADE TIED TO COAX SHIELD)

**PROPRIETARY NOTE**  
 THIS DOCUMENT CONTAINS CONFIDENTIAL AND PROPRIETARY INFORMATION AND ALL DESIGN, MANUFACTURING, REPRODUCTION, USE, PATENT RIGHTS AND SALES RIGHTS ARE EXPRESSLY RESERVED BY SAMTEC, INC. THIS DOCUMENT SHALL NOT BE DISCLOSED, IN WHOLE OR PART, TO ANY UNAUTHORIZED PERSON OR ENTITY NOR REPRODUCED, TRANSFERRED OR INCORPORATED IN ANY OTHER PROJECT IN ANY MANNER WITHOUT THE EXPRESS WRITTEN CONSENT OF SAMTEC, INC.



520 PARK EAST BLVD, NEW ALBANY, IN 47150  
 PHONE: 812-944-6733 FAX: 812-948-5047  
 e-Mail info@SAMTEC.com code 55322

DO NOT SCALE DRAWING

DESCRIPTION:  
 0.8MM Q-RATE TWINAX CABLE ASSEMBLY

DWG. NO.  
**EQRP-XXX-XX.XX-XXX-XXX-X-X**

BY: J. Riley 08/10/09 SHEET 4 OF 4