

DO NOT SCALE FROM THIS PRINT

POWER OPTION (RIGHT)
-AXX: AC POWER
-DXX: DC POWER
**-SXX: SPLIT POWER
-000: NO POWER
(SEE NOTE 3)

GUIDE POST (MUST CHOOSE ONE)
-S: SIDE
-T: TOP (SEE NOTE 5)
(NOT AVAILABLE WITH -SXX)

ROWS
-0: NO SIGNAL
-3: 3 ROWS
-5: 5 ROWS (-VP TAIL ONLY)

TAIL
-VP: PRESS FIT
-V1: FOR .062" PCB
(NOT AVAILABLE FOR 5 ROWS)
*-V2: FOR .093" PCB

SIGNAL POS PER ROW
-XX: SEE NOTE 4
-00: NO SIGNAL

PLATING SPECIFICATION
-L: 10 μ" SELECTIVE GOLD IN CONTACT AREA, MATTE TIN ON TAIL
-S: 30 μ" SELECTIVE GOLD IN CONTACT AREA, MATTE TIN ON TAIL

POWER OPTION (LEFT)
-AXX: AC POWER
-DXX: DC POWER
**-SXX: SPLIT POWER
-000: NO POWER
(SEE NOTE 3)

(* = NOT TOOLED)
(** = NOT RELEASED)

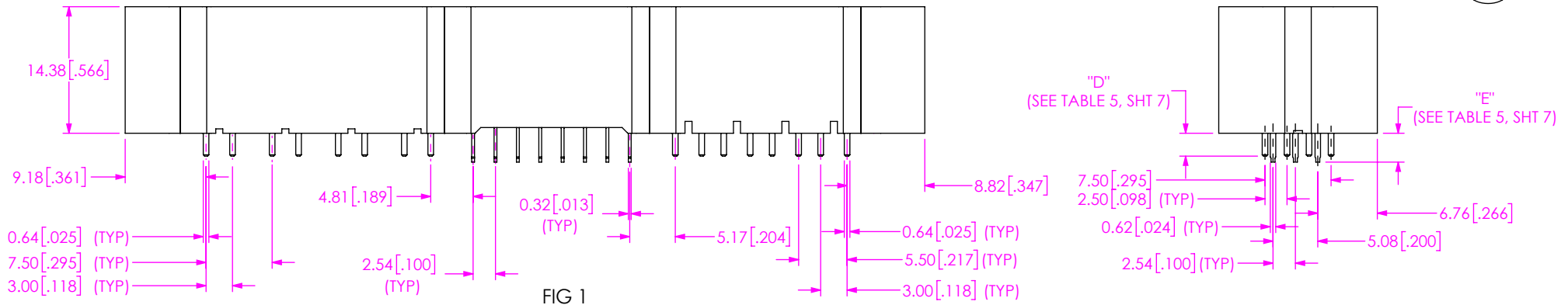
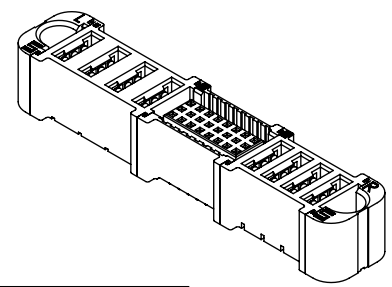
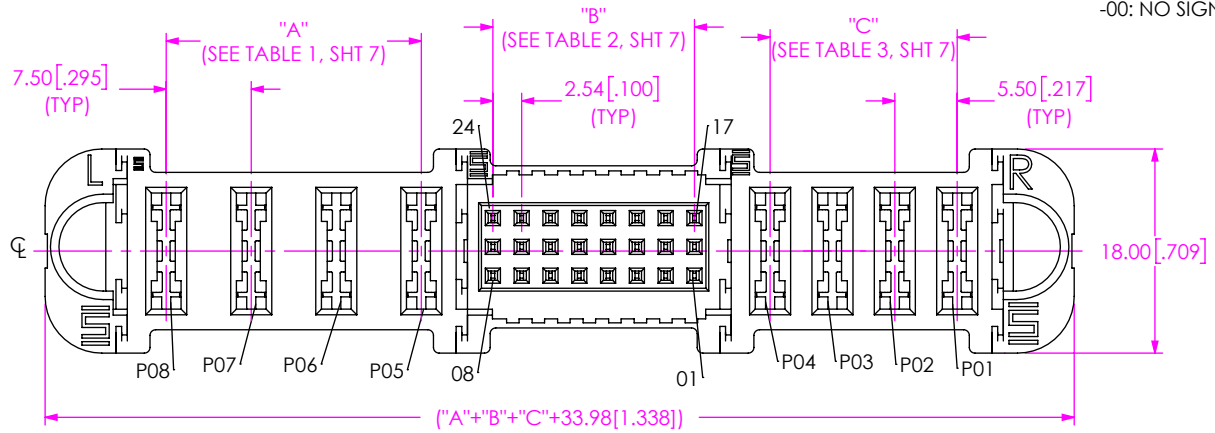


FIG 1
ET60S-D04-3-08-A04-X-V1-S SHOWN

NOTES:

- SEE PRODUCT SPECIFICATION FOR CONNECTOR PRESS FIT INSTRUCTIONS AND REQUIRED FIXTURES.
- ASSEMBLIES TO BE PACKAGED IN TRAYS.
- AC POWER: *-01, -02, -03, -04, -05, -06;
-DC POWER: *-01, -02, -03, -04, -05, -06, -07, -08, -09, -10.
SPLIT POWER: *-01, *-02, *-03.
(* = NOT TOOLED)
- 3 ROWS: *-02, *-04, *-06, -08, *-10, *-12.
-5 ROWS: -01, -02, -03, -04, -05, -06, -07, -08.
(* = NOT TOOLED)
- TOP GUIDE POST FOR -AC POWER: AVAILABLE ON -02 TO -06 POSITIONS ONLY.
TOP GUIDE POST FOR -DC POWER: AVAILABLE ON -02 TO -10 POSITIONS ONLY.
- ORDERS WILL BE PACKAGED ACCORDING TO THE SAMTEC PACKAGING EFFICIENCY STANDARDS (SPES) FOUND ON WWW.SAMTEC.COM.

<p>PROPRIETARY NOTE THIS DOCUMENT CONTAINS CONFIDENTIAL AND PROPRIETARY INFORMATION AND ALL DESIGN, MANUFACTURING, REPRODUCTION, USE, PATENT RIGHTS AND SALES RIGHTS ARE EXPRESSLY RESERVED BY SAMTEC, INC. THIS DOCUMENT SHALL NOT BE DISCLOSED, IN WHOLE OR PART, TO ANY UNAUTHORIZED PERSON OR ENTITY NOR REPRODUCED, TRANSFERRED OR INCORPORATED IN ANY OTHER PROJECT IN ANY MANNER WITHOUT THE EXPRESS WRITTEN CONSENT OF SAMTEC, INC.</p>		<p>520 PARK EAST BLVD, NEW ALBANY, IN 47150 PHONE: 812-944-6733 FAX: 812-948-5047 e-Mail info@SAMTEC.com code 55322</p>
<p>DO NOT SCALE DRAWING SHEET SCALE: 1:1.51</p>	<p>DESCRIPTION: ET60 VERTICAL POWER/SIGNAL SOCKET</p>	
<p>MATERIAL: INSULATOR: LCP, COLOR: BLACK SIGNAL CONTACT: COPPER ALLOY POWER CONTACT: COPPER ALLOY</p>	<p>DWG. NO. ET60S-XXX-X-XX-XXX-X-VX-X</p>	
<p>BY: TOBIN Q 9/4/2023 SHEET 1 OF 9</p>		

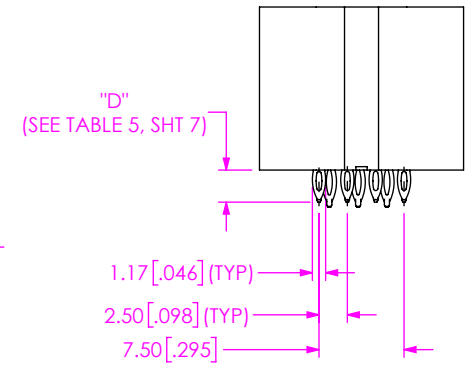
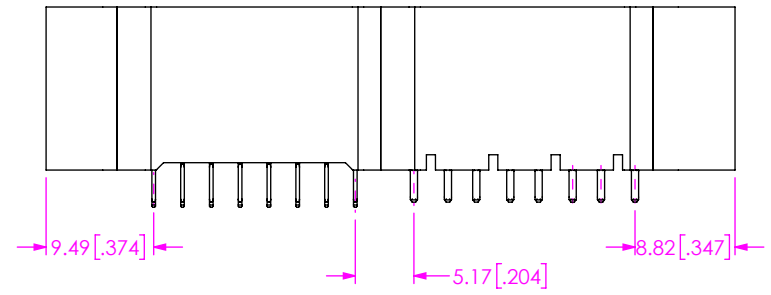
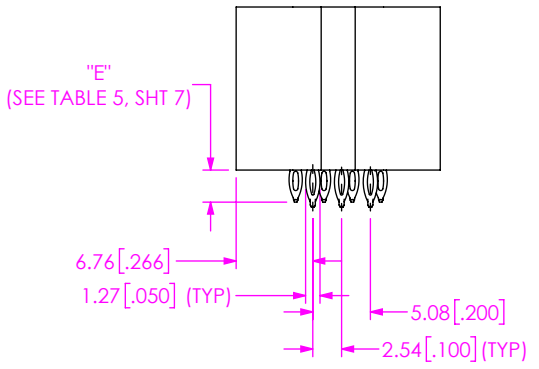
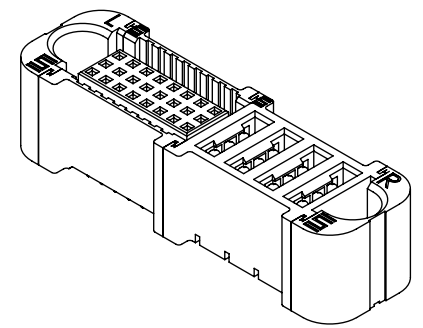
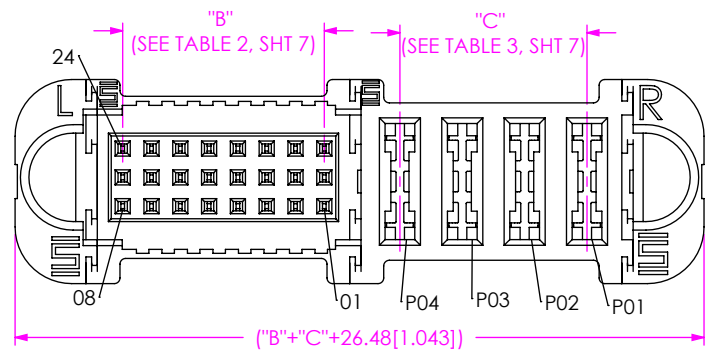


FIG 2
ET60S-D04-3-08-000-X-VP-S SHOWN
(DIFFERENT AS SHOWN, OTHERWISE SAME AS FIG 1)

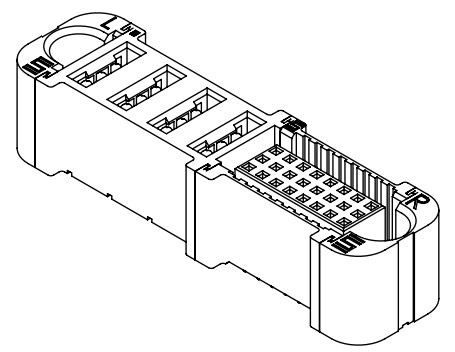
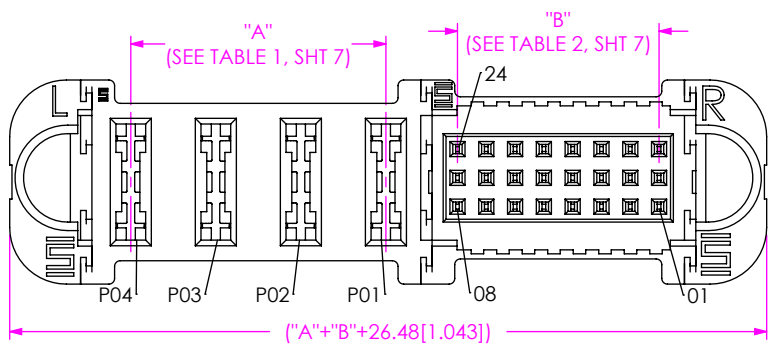
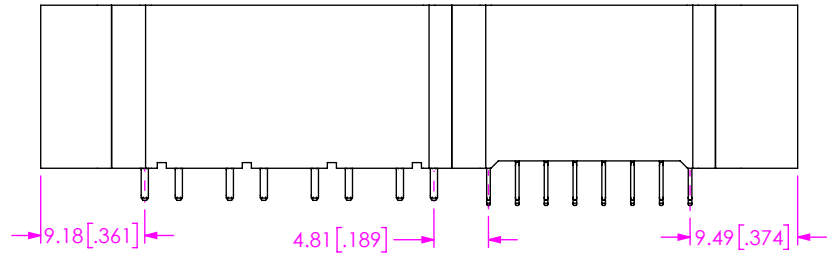


FIG 3
ET60S-000-3-08-A04-X-VP-S SHOWN
(DIFFERENT AS SHOWN, OTHERWISE SAME AS FIG 2)



PROPRIETARY NOTE
THIS DOCUMENT CONTAINS CONFIDENTIAL AND PROPRIETARY INFORMATION AND ALL DESIGN, MANUFACTURING, REPRODUCTION, USE, PATENT RIGHTS AND SALES RIGHTS ARE EXPRESSLY RESERVED BY SAMTEC, INC. THIS DOCUMENT SHALL NOT BE DISCLOSED, IN WHOLE OR PART, TO ANY UNAUTHORIZED PERSON OR ENTITY NOR REPRODUCED, TRANSFERRED OR INCORPORATED IN ANY OTHER PROJECT IN ANY MANNER WITHOUT THE EXPRESS WRITTEN CONSENT OF SAMTEC, INC.

DO NOT SCALE DRAWING

SHEET SCALE: 1.5:1

520 PARK EAST BLVD, NEW ALBANY, IN 47150
PHONE: 812-944-6733 FAX: 812-948-5047
e-Mail info@SAMTEC.com code 55322

DESCRIPTION:
ET60 VERTICAL POWER/SIGNAL SOCKET

DWG. NO.
ET60S-XXX-X-XX-XXX-X-VX-X

BY: TOBIN Q 9/4/2023 SHEET 2 OF 9

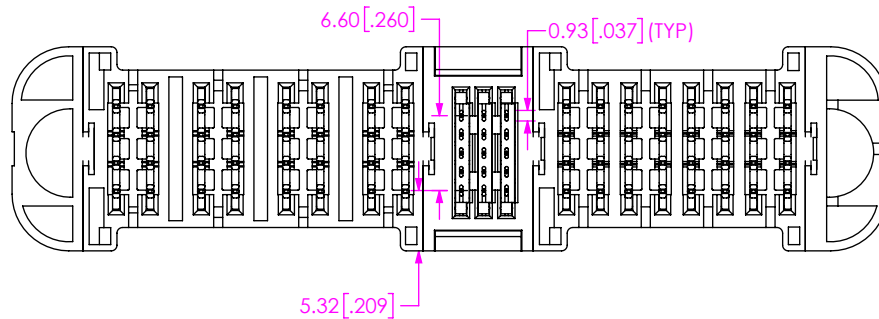
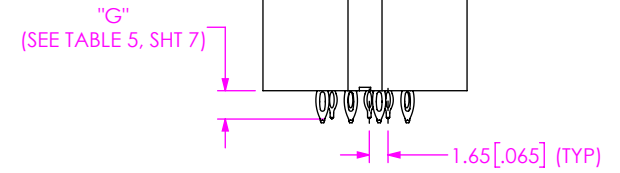
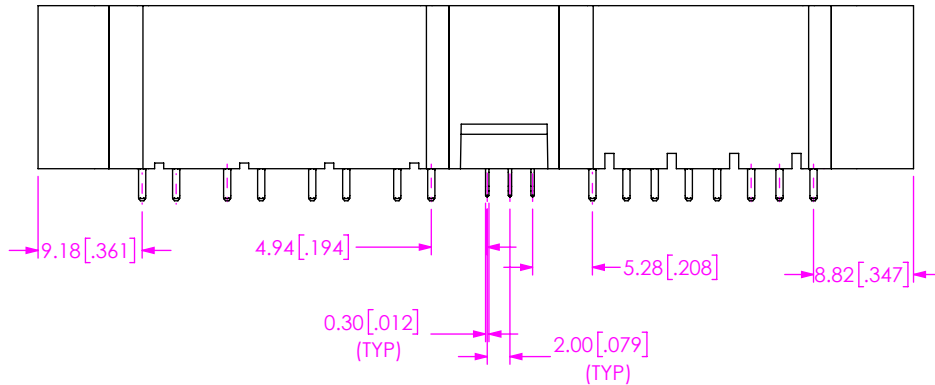
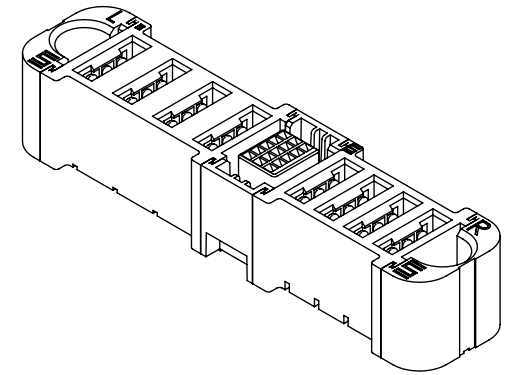
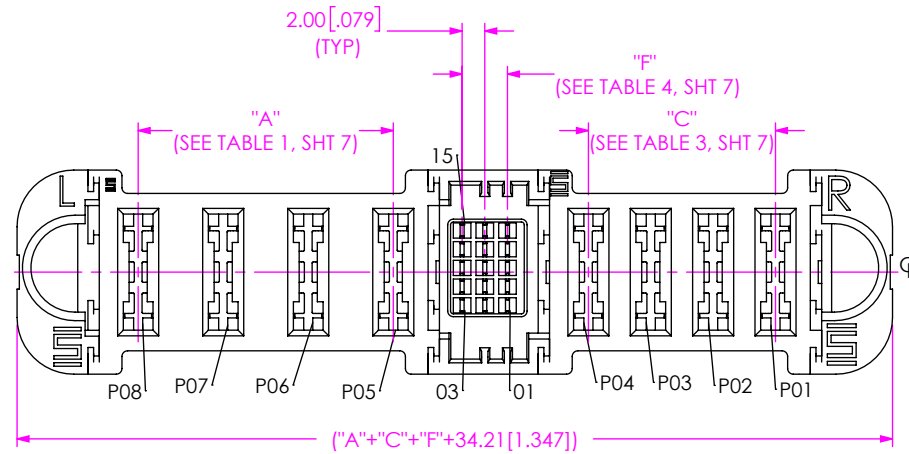


FIG 4
 ET60S-D04-5-03-A04-X-VP-S SHOWN
 (DIFFERENT AS SHOWN, OTHERWISE SAME AS FIG 1 & 2)

PROPRIETARY NOTE
 THIS DOCUMENT CONTAINS CONFIDENTIAL AND PROPRIETARY INFORMATION AND ALL DESIGN, MANUFACTURING, REPRODUCTION, USE, PATENT RIGHTS AND SALES RIGHTS ARE EXPRESSLY RESERVED BY SAMTEC, INC. THIS DOCUMENT SHALL NOT BE DISCLOSED, IN WHOLE OR PART, TO ANY UNAUTHORIZED PERSON OR ENTITY NOR REPRODUCED, TRANSFERRED OR INCORPORATED IN ANY OTHER PROJECT IN ANY MANNER WITHOUT THE EXPRESS WRITTEN CONSENT OF SAMTEC, INC.

DO NOT SCALE DRAWING

SHEET SCALE: 1.5:1



520 PARK EAST BLVD., NEW ALBANY, IN 47150
 PHONE: 812-944-6733 FAX: 812-948-5047
 e-Mail: info@SAMTEC.com code 55322

DESCRIPTION:
 ET60 VERTICAL POWER/SIGNAL SOCKET

DWG. NO.
 ET60S-XXX-X-XX-XXX-X-VX-X

BY: TOBIN Q 9/4/2023 SHEET 3 OF 9

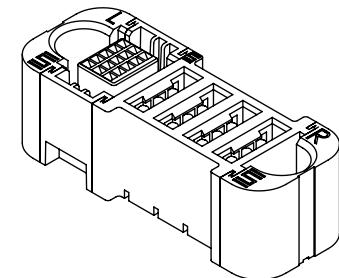
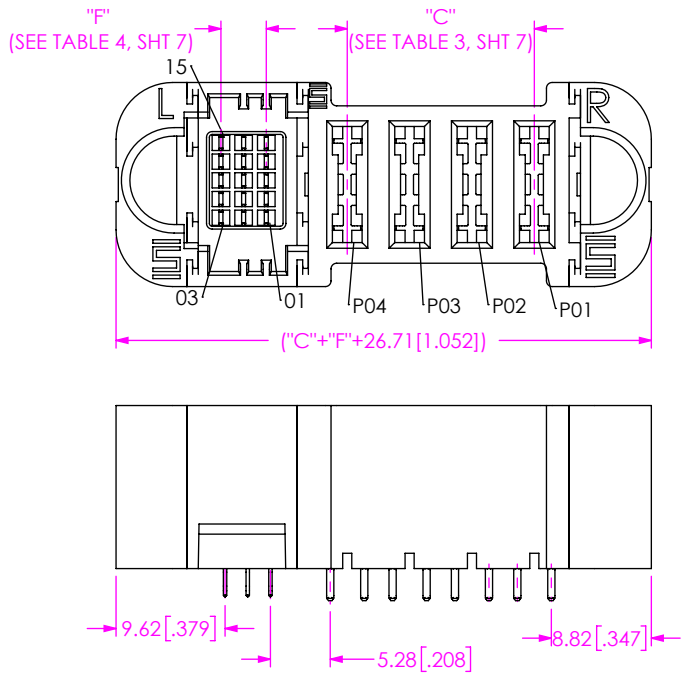


FIG 5
 ET60S-D04-5-03-000-X-VP-S SHOWN
 (DIFFERENT AS SHOWN, OTHERWISE SAME AS FIG 4)

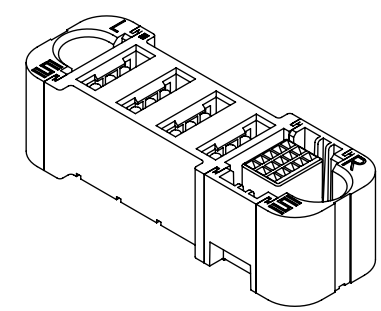
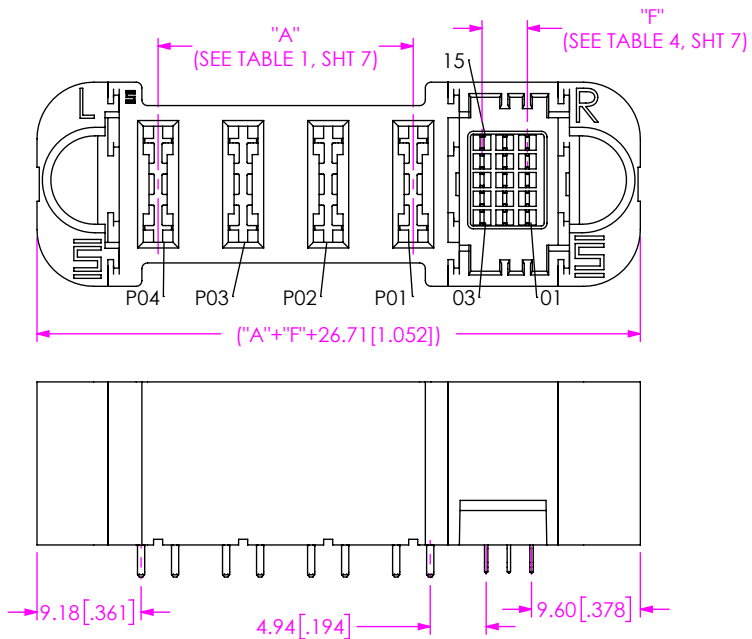



FIG 6
 ET60S-000-5-03-A04-X-VP-S SHOWN
 (DIFFERENT AS SHOWN, OTHERWISE SAME AS FIG 4)

PROPRIETARY NOTE
 THIS DOCUMENT CONTAINS CONFIDENTIAL AND PROPRIETARY INFORMATION AND ALL DESIGN, MANUFACTURING, REPRODUCTION, USE, PATENT RIGHTS AND SALES RIGHTS ARE EXPRESSLY RESERVED BY SAMTEC, INC. THIS DOCUMENT SHALL NOT BE DISCLOSED, IN WHOLE OR PART, TO ANY UNAUTHORIZED PERSON OR ENTITY NOR REPRODUCED, TRANSFERRED OR INCORPORATED IN ANY OTHER PROJECT IN ANY MANNER WITHOUT THE EXPRESS WRITTEN CONSENT OF SAMTEC, INC.

DO NOT SCALE DRAWING

SHEET SCALE: 1.5:1

 520 PARK EAST BLVD. NEW ALBANY, IN 47150 PHONE: 812-944-6733 FAX: 812-948-5047 e-Mail info@SAMTEC.com code 55322	
DESCRIPTION: ET60 VERTICAL POWER/SIGNAL SOCKET	
DWG. NO. ET60S-XXX-X-XX-XXX-X-VX-X	
BY: TOBIN Q	9/4/2023
SHEET 4 OF 9	

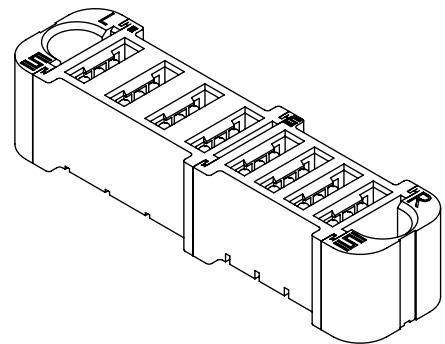
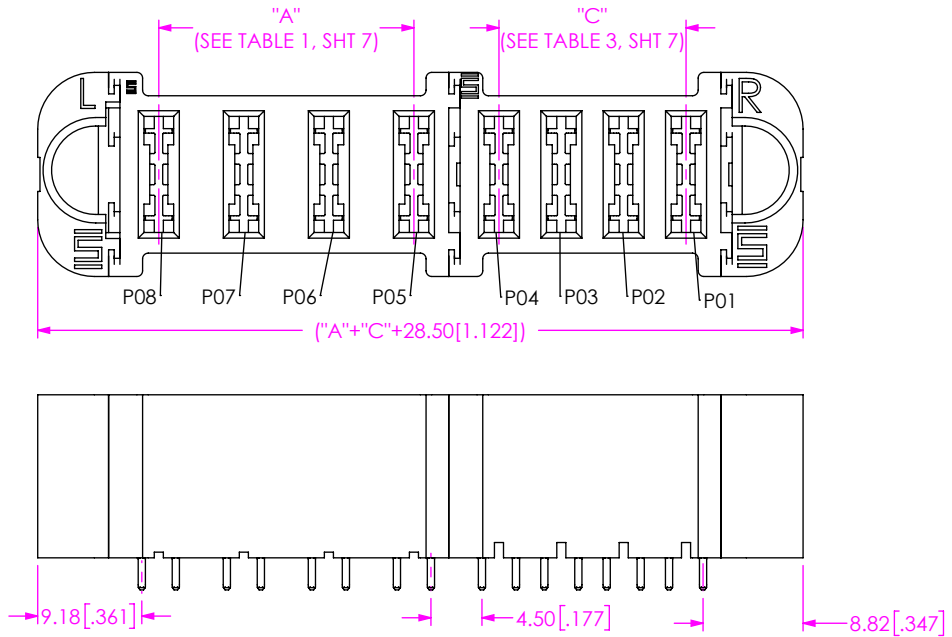


FIG 7
 ET60S-D04-0-00-A04-X-VP-S SHOWN
 (DIFFERENT AS SHOWN, OTHERWISE SAME AS FIG 4)

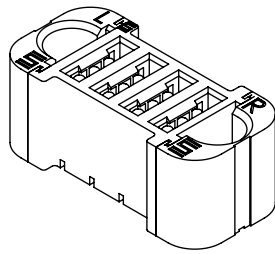
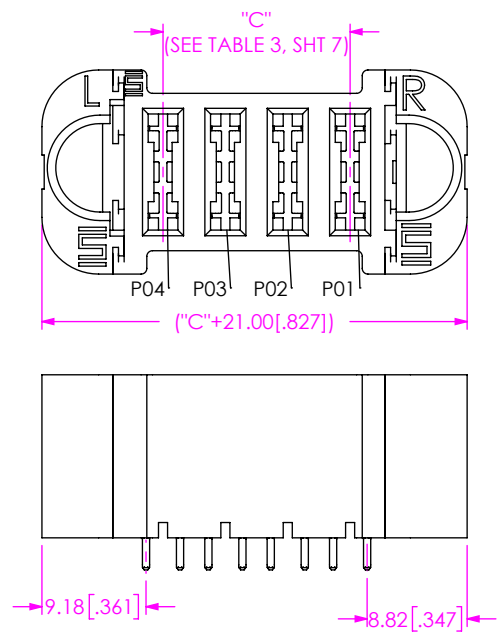


FIG 8
 ET60S-D04-0-00-000-X-VP-S SHOWN
 (DIFFERENT AS SHOWN, OTHERWISE SAME AS FIG 4)

PROPRIETARY NOTE
 THIS DOCUMENT CONTAINS CONFIDENTIAL AND PROPRIETARY INFORMATION AND ALL DESIGN, MANUFACTURING, REPRODUCTION, USE, PATENT RIGHTS AND SALES RIGHTS ARE EXPRESSLY RESERVED BY SAMTEC, INC. THIS DOCUMENT SHALL NOT BE DISCLOSED, IN WHOLE OR PART, TO ANY UNAUTHORIZED PERSON OR ENTITY NOR REPRODUCED, TRANSFERRED OR INCORPORATED IN ANY OTHER PROJECT IN ANY MANNER WITHOUT THE EXPRESS WRITTEN CONSENT OF SAMTEC, INC.

DO NOT SCALE DRAWING
 SHEET SCALE: 1.5:1



520 PARK EAST BLVD, NEW ALBANY, IN 47150
 PHONE: 812-944-6733 FAX: 812-948-5047
 e-Mail info@SAMTEC.com code 55322

DESCRIPTION:
 ET60 VERTICAL POWER/SIGNAL SOCKET

DWG. NO.
 ET60S-XXX-X-XX-XXX-X-VX-X

BY: TOBIN Q 9/4/2023 SHEET 5 OF 9

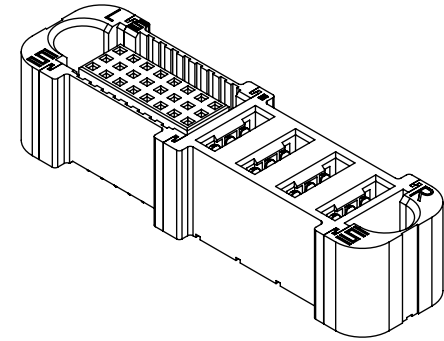
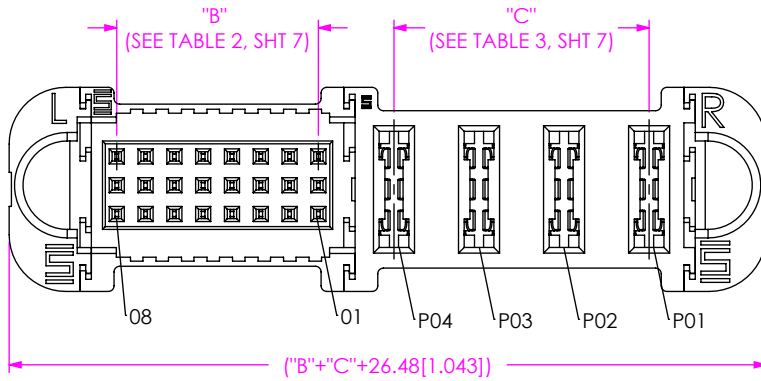


FIG 9
ET60S-A04-3-08-000-X-VP-S SHOWN
(DIFFERENT AS SHOWN, OTHERWISE SAME AS FIG 2)

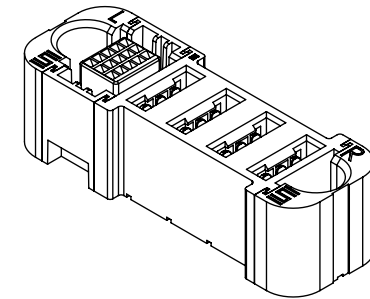
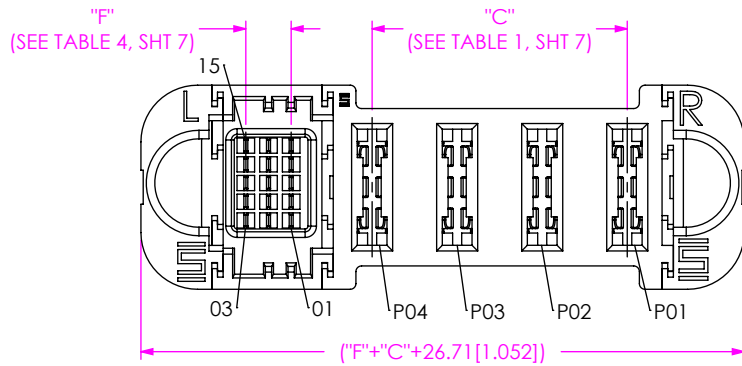
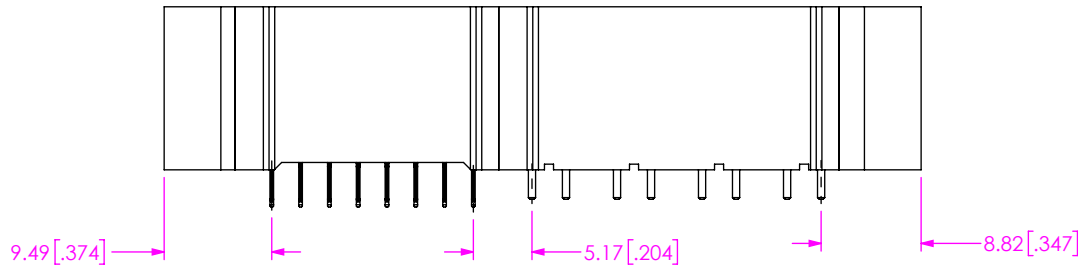
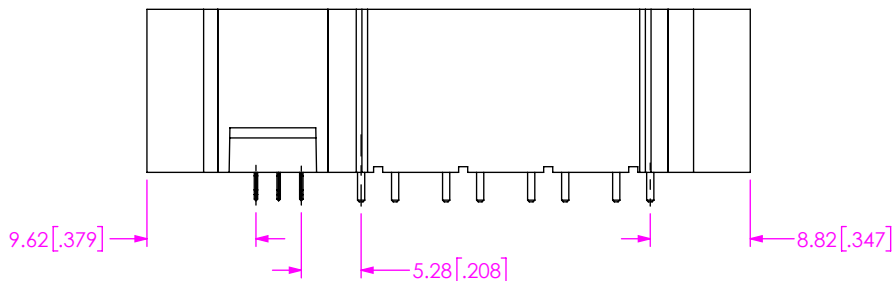


FIG 10
ET60S-A04-5-03-000-X-VP-S SHOWN
(DIFFERENT AS SHOWN, OTHERWISE SAME AS FIG 4)



PROPRIETARY NOTE

THIS DOCUMENT CONTAINS CONFIDENTIAL AND PROPRIETARY INFORMATION AND ALL DESIGN, MANUFACTURING, REPRODUCTION, USE, PATENT RIGHTS AND SALES RIGHTS ARE EXPRESSLY RESERVED BY SAMTEC, INC. THIS DOCUMENT SHALL NOT BE DISCLOSED, IN WHOLE OR PART, TO ANY UNAUTHORIZED PERSON OR ENTITY NOR REPRODUCED, TRANSFERRED OR INCORPORATED IN ANY OTHER PROJECT IN ANY MANNER WITHOUT THE EXPRESS WRITTEN CONSENT OF SAMTEC, INC.



520 PARK EAST BLVD, NEW ALBANY, IN 47150
PHONE: 812-944-6733 FAX: 812-948-5047
e-Mail info@SAMTEC.com code 55322

SHEET SCALE: 2:1

DESCRIPTION:
ET60 VERTICAL POWER/SIGNAL SOCKET

DWG. NO.
ET60S-XXX-X-XX-XXX-X-VX-X

BY: TOBIN Q 9/4/2023 SHEET 6 OF 9

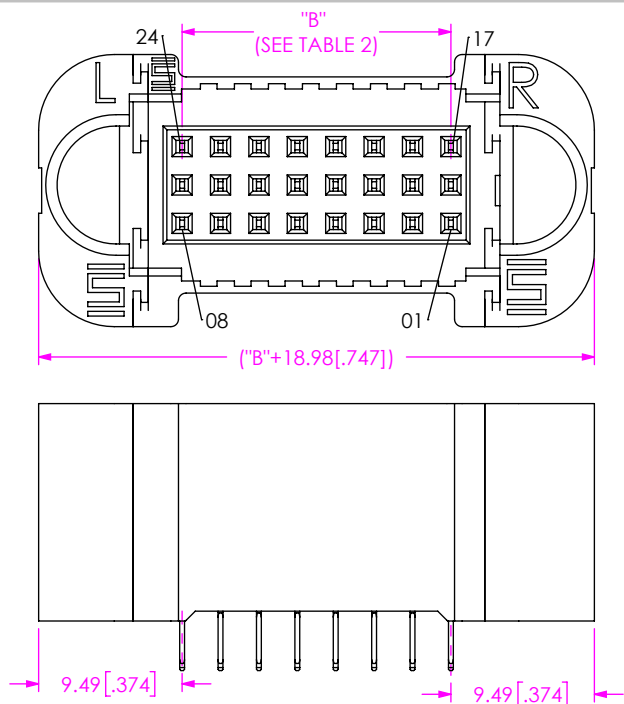


FIG 11
ET60S-000-3-08-000-X-VP-S SHOWN
(DIFFERENT AS SHOWN, OTHERWISE SAME AS FIG 1)

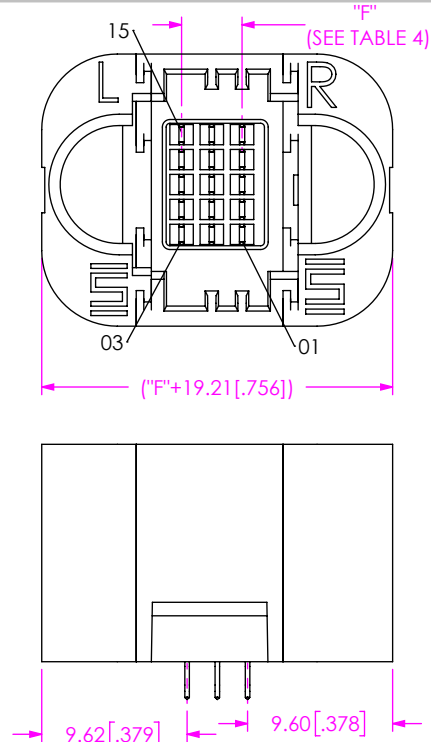


FIG 12
ET60S-000-5-03-000-X-VP-S SHOWN
(DIFFERENT AS SHOWN, OTHERWISE SAME AS FIG 4)

TABLE 1 (SEE NOTE 3)		
POWER POS (LEFT)	"A"	
	AC POWER	DC POWER
-01	N/A	N/A
-02	7.50 [.295]	5.50 [.217]
-03	15.00 [.591]	11.00 [.433]
-04	22.50 [.886]	16.50 [.650]
-05	30.00 [1.181]	22.00 [.866]
-06	37.50 [1.476]	27.50 [1.083]
-07	/	33.00 [1.299]
-08	/	38.50 [1.516]
-09	/	44.00 [1.732]
-10	/	49.50 [1.949]

TABLE 2 (SEE NOTE 3)	
SIGNAL POS PER ROW (3 ROWS)	"B"
-02	2.54 [.100]
-04	7.62 [.300]
-06	12.70 [.500]
-08	17.78 [.700]
-10	22.86 [.900]
-12	27.94 [1.100]

TABLE 3 (SEE NOTE 3)		
POWER POS (RIGHT)	"C"	
	AC POWER	DC POWER
-01	N/A	N/A
-02	7.50 [.295]	5.50 [.217]
-03	15.00 [.591]	11.00 [.433]
-04	22.50 [.886]	16.50 [.650]
-05	30.00 [1.181]	22.00 [.866]
-06	37.50 [1.476]	27.50 [1.083]
-07	/	33.00 [1.299]
-08	/	38.50 [1.516]
-09	/	44.00 [1.732]
-10	/	49.50 [1.949]

TABLE 4 (SEE NOTE 4)	
SIGNAL POS PER ROW (5 ROWS)	"F"
-01	N/A
-02	2.00 [.079]
-03	4.00 [.157]
-04	6.00 [.236]
-05	8.00 [.315]
-06	10.00 [.394]
-07	12.00 [.472]
-08	14.00 [.551]

TABLE 5				
SIGNAL POS	3 ROWS		5 ROWS	
	"D"	"E"	"D"	"G"
-VP	2.83 [.111]	3.28 [.129]	2.83 [.111]	2.50 [.098]
-V1	2.60 [.102]	3.28 [.129]	N/A	N/A
-V2	3.38 [.133]	4.06 [.160]	N/A	N/A

F:\DWG\MISC\MKTG\ET60S-XXX-X-XX-XXX-X-VX-X-MKT.SLDDRW

PROPRIETARY NOTE
THIS DOCUMENT CONTAINS CONFIDENTIAL AND PROPRIETARY INFORMATION AND ALL DESIGN, MANUFACTURING, REPRODUCTION, USE, PATENT RIGHTS AND SALES RIGHTS ARE EXPRESSLY RESERVED BY SAMTEC, INC. THIS DOCUMENT SHALL NOT BE DISCLOSED, IN WHOLE OR PART, TO ANY UNAUTHORIZED PERSON OR ENTITY NOR REPRODUCED, TRANSFERRED OR INCORPORATED IN ANY OTHER PROJECT IN ANY MANNER WITHOUT THE EXPRESS WRITTEN CONSENT OF SAMTEC, INC.

DO NOT SCALE DRAWING

SHEET SCALE: 2:1



520 PARK EAST BLVD, NEW ALBANY, IN 47150
PHONE: 812-944-6733 FAX: 812-948-5047
e-Mail info@SAMTEC.com code 55322

DESCRIPTION:
ET60S VERTICAL POWER/SIGNAL SOCKET

DWG. NO.
ET60S-XXX-X-XX-XXX-X-VX-X

BY: TOBIN Q 9/4/2023 SHEET 7 OF 9

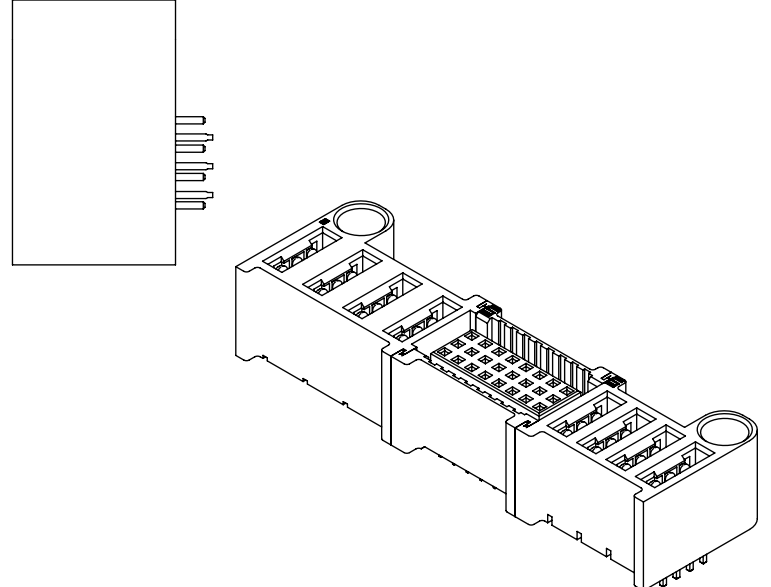
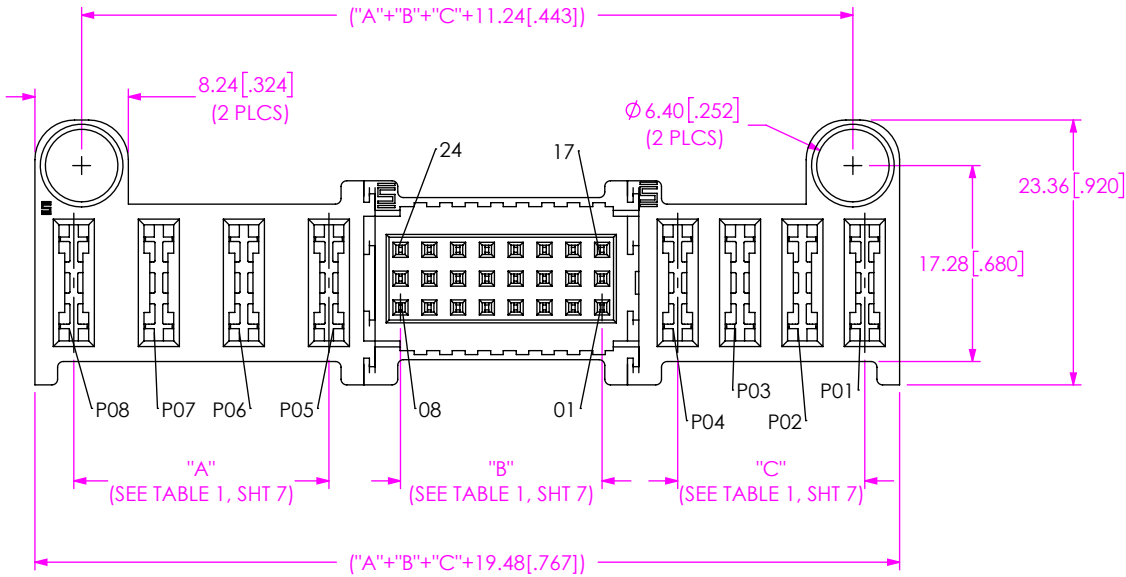


FIG 13
ET60S-D04-3-08-A04-X-V1-T SHOWN
(DIFFERENT AS SHOWN, OTHERWISE SAME AS FIG 1)

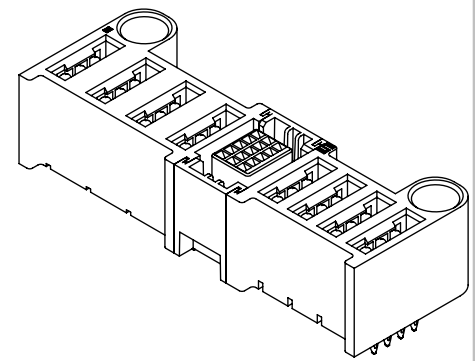
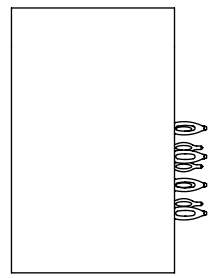
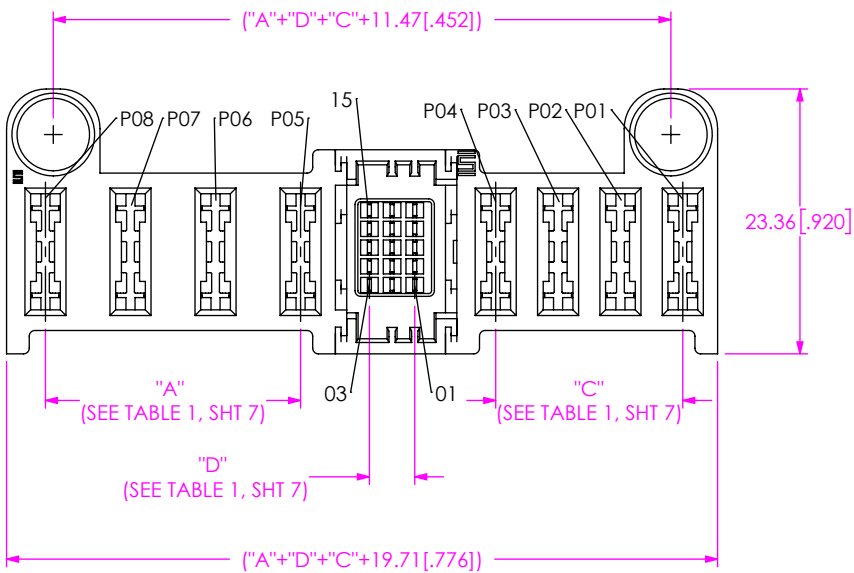



FIG 14
ET60S-D04-5-03-A04-X-VP-T SHOWN
(DIFFERENT AS SHOWN, OTHERWISE SAME AS FIG 4)

F:\DWG\MISC\MKTG\ET60S-XXX-X-XX-XXX-X-VX-X-MKT.SLDDRW

<p>PROPRIETARY NOTE</p> <p>THIS DOCUMENT CONTAINS CONFIDENTIAL AND PROPRIETARY INFORMATION AND ALL DESIGN, MANUFACTURING, REPRODUCTION, USE, PATENT RIGHTS AND SALES RIGHTS ARE EXPRESSLY RESERVED BY SAMTEC, INC. THIS DOCUMENT SHALL NOT BE DISCLOSED, IN WHOLE OR PART, TO ANY UNAUTHORIZED PERSON OR ENTITY NOR REPRODUCED, TRANSFERRED OR INCORPORATED IN ANY OTHER PROJECT IN ANY MANNER WITHOUT THE EXPRESS WRITTEN CONSENT OF SAMTEC, INC.</p>		
	<p>520 PARK EAST BLVD, NEW ALBANY, IN 47150 PHONE: 812-944-6733 FAX: 812-948-5047 e-Mail info@SAMTEC.com code 55322</p>	
	<p>DESCRIPTION: ET60 VERTICAL POWER/SIGNAL SOCKET</p>	<p>DWG. NO. ET60S-XXX-X-XX-XXX-X-VX-X</p>
<p>SHEET SCALE: 3:2</p>	<p>BY: TOBIN Q</p>	<p>9/4/2023 SHEET 8 OF 9</p>

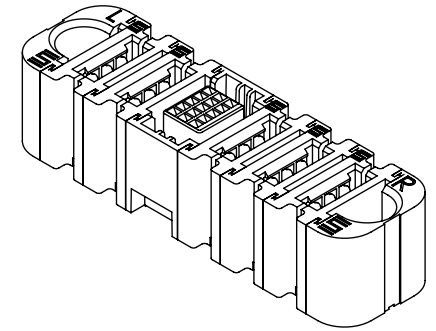
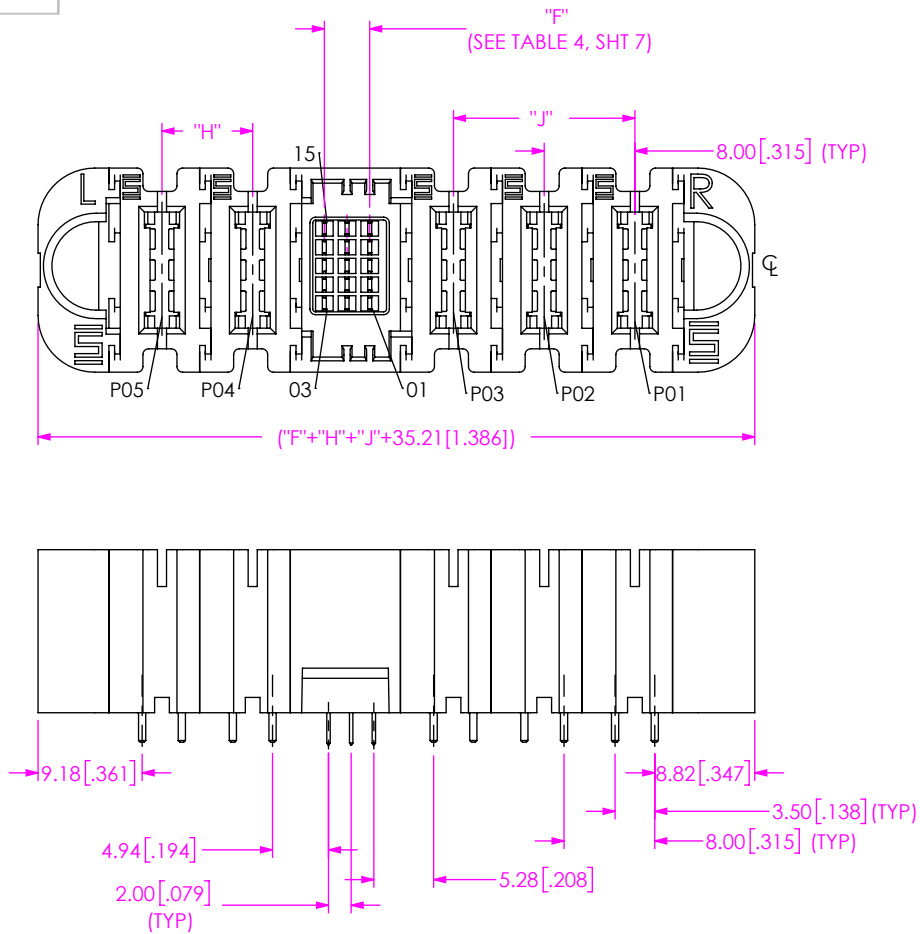


FIG 15
ET60S-S03-5-03-S02-X-V1-S SHOWN
(DIFFERENT AS SHOWN, OTHERWISE SAME AS FIG 4)

TABLE 7 (SEE NOTE 3)	
NO OF SPLIT POWER (LEFT)	"H"
-01	N/A
-02	8.00 [.315]
-03	16.00 [.630]
-04	24.00 [.945]

TABLE 6 (SEE NOTE 3)	
NO OF SPLIT POWER (RIGHT)	"J"
-01	N/A
-02	8.00 [.315]
-03	16.00 [.630]
-04	24.00 [.945]

PROPRIETARY NOTE
THIS DOCUMENT CONTAINS CONFIDENTIAL AND PROPRIETARY INFORMATION AND ALL DESIGN, MANUFACTURING, REPRODUCTION, USE, PATENT RIGHTS AND SALES RIGHTS ARE EXPRESSLY RESERVED BY SAMTEC, INC. THIS DOCUMENT SHALL NOT BE DISCLOSED, IN WHOLE OR PART, TO ANY UNAUTHORIZED PERSON OR ENTITY NOR REPRODUCED, TRANSFERRED OR INCORPORATED IN ANY OTHER PROJECT IN ANY MANNER WITHOUT THE EXPRESS WRITTEN CONSENT OF SAMTEC, INC.

DO NOT SCALE DRAWING

SHEET SCALE: 1.5:1



520 PARK EAST BLVD, NEW ALBANY, IN 47150
PHONE: 812-944-6733 FAX: 812-948-5047
e-Mail info@SAMTEC.com code 55322

DESCRIPTION:
ET60 VERTICAL POWER/SIGNAL SOCKET

DWG. NO.
ET60S-XXX-X-XX-XXX-X-VX-X

BY: TOBIN Q 9/4/2023 SHEET 9 OF 9