



ESD SENSITIVE

DO NOT SCALE FROM THIS PRINT

TABLE 1: ASSEMBLY LENGTH LIMITS [cm]											
FIBER TYPE	MIN							MAX			
	END OPTION							HEAT SINK			
	-01	-02	-07	-0A	-0C	-0E	-1	-2	-3	-4	
-5	11	11	10	9	9	8	100	100	50	100	
-6	11	11	10	9	9	8	100	100	50	100	
-7	14	14	12	11	13	10	300	300	300	300	
-8	12	12	10	9	11	8	300	300	300	300	

TABLE 2: LENGTH TOLERANCE	
ASSEMBLY LENGTH (cm)	TOLERANCE (cm)*
000-016	±0.16
017-999	±1%

* ROUNDED UP TO 2 DECIMAL PLACES

ETUO-X12-XX-XXX-0-X-1-X-XX

TYPE
-T12: x12 Tx
-R12: x12 Rx

DATA RATE
-10: 10.3125 Gbps

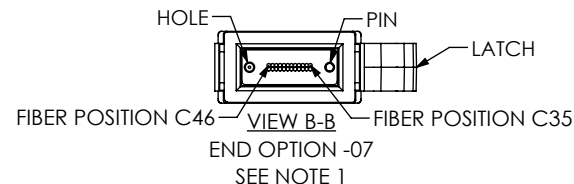
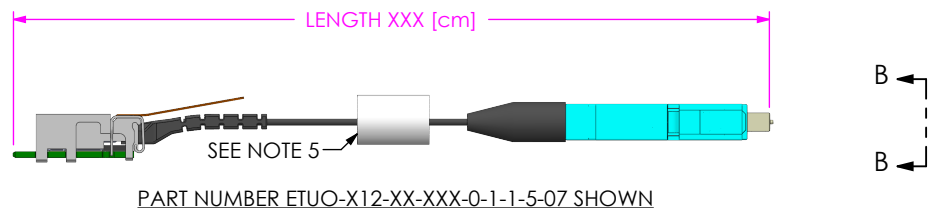
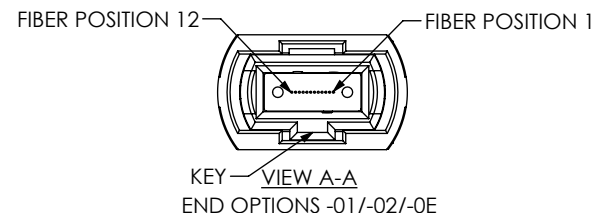
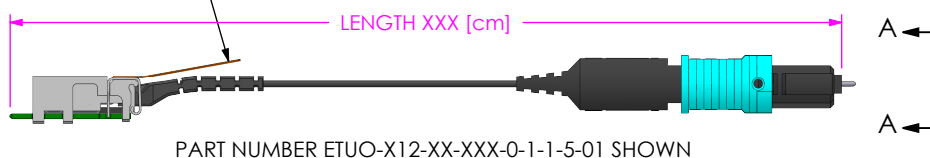
ASSEMBLY LENGTH
-XXX: LENGTH (cm) SEE TABLES 1, 2

HEAT SINK
-1: FLAT
-2: PIN FIN
-3: FLAT WITH GROOVE (SEE NOTE 2)
-4: PCIe@ PIN FIN

END OPTION
-01: MTP@ MALE
-02: MTP@ FEMALE
-07: MXC@ INTERNAL PLUG
-0A: VITA 66.1/66.4 READY (SEE NOTE 8)
-0C: MT38999 MALE (SEE NOTE 9)
-0E: MPO PLUS@ BAYONET MALE

FIBER TYPE
-5: BLACK JACKETED RIBBON WITH BOOT
-6: BLACK JACKETED RIBBON
-7: BLACK LOOSE TUBE WITH BOOT
-8: BLACK LOOSE TUBE

ORANGE TAB INDICATES T12
BLUE TAB INDICATES R12



NOTES:

1. QUANTITY OF LENSES PRESENT MAY VARY. FIBER POSITION DOES NOT CHANGE REGARDLESS OF THE NUMBER OF LENSES PRESENT
2. GROOVE ALLOWS ONE JACKETED RIBBON (FIBER TYPE -5/-6) OF CABLE LENGTH MAX 50 CM OR TWO CABLES OF JACKETED LOOSE TUBE (FIBER TYPE -7/-8) TO PASS ABOVE HEAT SINK AND UNDER COLD PLATE
3. FIREFLY MUST BE INSTALLED IN A NO-TENSION STATE FREE FROM DYNAMIC FLEXING
4. ALL MTP@/MPO ARE INTERMATEABLE WITH CONNECTOR ADHERING TO TIA-604-5
5. ALL CABLES WITH A LENGTH GREATER THAN 50 cm ARE LABELED. LABEL TO CONTAIN PART NUMBER AND SERIAL NUMBER INFORMATION
6. DUST CAPS REMOVED FROM ALL VIEWS FOR CLARITY
7. YELLOW LATCH PINS NOT SHOWN FOR CLARITY. SEE FIREFLY INSTALLATION INSTRUCTIONS FOR MORE DETAILS.
8. FOR USE WITH TE VITA 66.1 (2000974-1) AND VITA 66.4 (2226881-1) DAUGHTER CARD PART NUMBERS
9. ASSEMBLIES SHIPPED WITH AMPHENOL PART NUMBER CF-594711-01S INSTALLED

UNLESS OTHERWISE SPECIFIED, DIMENSIONS ARE IN MILLIMETERS. ALL DIMENSIONS ARE FOR REFERENCE ONLY

PROPRIETARY NOTE
THIS DOCUMENT CONTAINS CONFIDENTIAL AND PROPRIETARY INFORMATION AND ALL DESIGN, MANUFACTURING, REPRODUCTION, USE, PATENT RIGHTS AND SALES RIGHTS ARE EXPRESSLY RESERVED BY SAMTEC, INC. THIS DOCUMENT SHALL NOT BE DISCLOSED, IN WHOLE OR PART, TO ANY UNAUTHORIZED PERSON OR ENTITY NOR REPRODUCED, TRANSFERRED OR INCORPORATED IN ANY OTHER PROJECT IN ANY MANNER WITHOUT THE EXPRESS WRITTEN CONSENT OF SAMTEC, INC.



520 PARK EAST BLVD, NEW ALBANY, IN 47150
PHONE: 812-944-6733 FAX: 812-948-5047
e-Mail: info@SAMTEC.com code 55322

MATERIAL: DO NOT SCALE DRAWING SHEET SCALE: 1:1

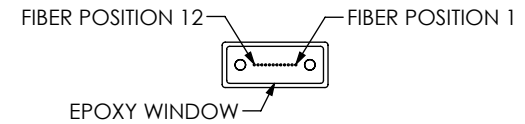
DESCRIPTION:
EXTENDED TEMPERATURE OPTICAL FIREFLY ASSEMBLY

DWG. NO.
ETUO-X12-XX-XXX-0-X-1-X-XX

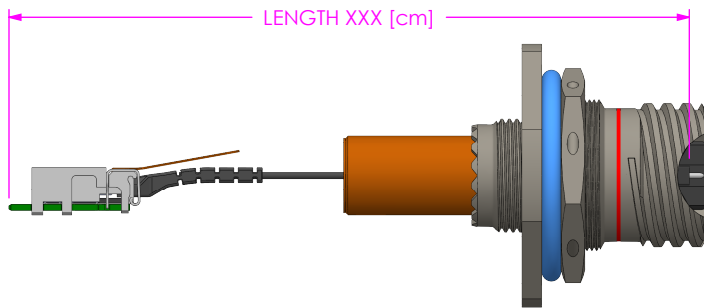
BY: AARON B. 04/17/2020 SHEET 1 OF 11



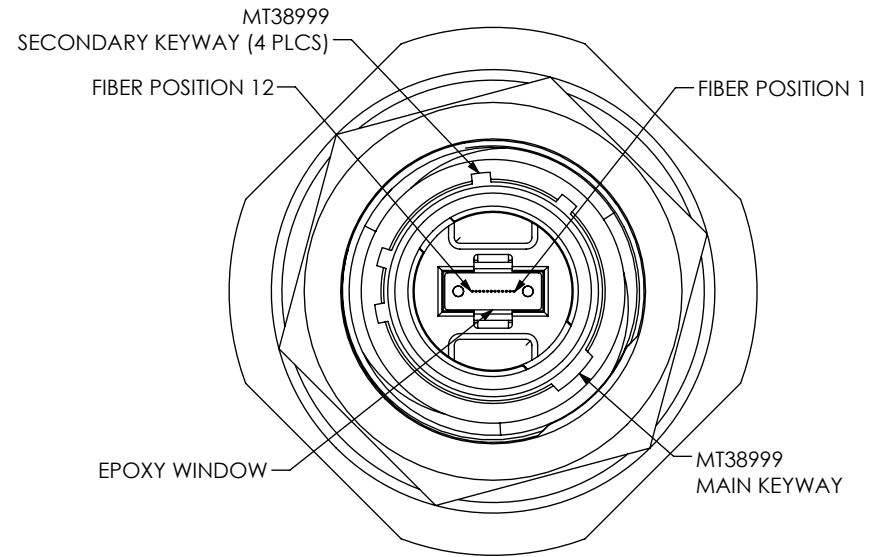
PART NUMBER ETUO-X12-XX-XXX-0-1-1-5-0A SHOWN




VIEW C-C
END OPTION -0A



PART NUMBER ETUO-X12-XX-XXX-0-1-1-5-0C SHOWN



VIEW D-D
END OPTION -0C

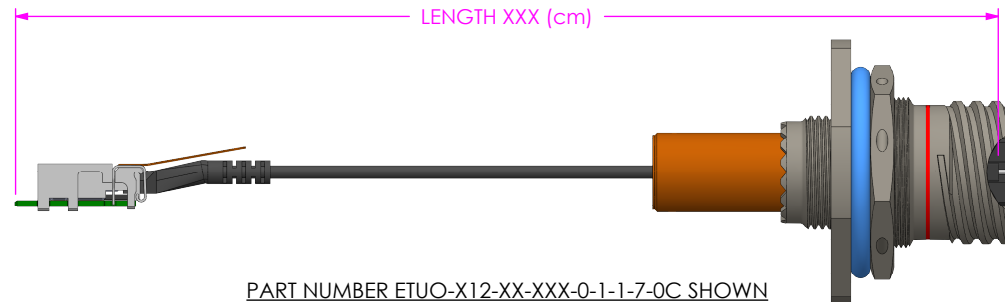
<p>PROPRIETARY NOTE</p> <p>THIS DOCUMENT CONTAINS CONFIDENTIAL AND PROPRIETARY INFORMATION AND ALL DESIGN, MANUFACTURING, REPRODUCTION, USE, PATENT RIGHTS AND SALES RIGHTS ARE EXPRESSLY RESERVED BY SAMTEC, INC. THIS DOCUMENT SHALL NOT BE DISCLOSED, IN WHOLE OR PART, TO ANY UNAUTHORIZED PERSON OR ENTITY NOR REPRODUCED, TRANSFERRED OR INCORPORATED IN ANY OTHER PROJECT IN ANY MANNER WITHOUT THE EXPRESS WRITTEN CONSENT OF SAMTEC, INC.</p>	 <p>520 PARK EAST BLVD, NEW ALBANY, IN 47150 PHONE: 812-944-6733 FAX: 812-948-5047 e-Mail info@SAMTEC.com code 55322</p>
<p>DO NOT SCALE DRAWING SHEET SCALE: 1:1</p>	<p>DESCRIPTION: EXTENDED TEMPERATURE OPTICAL FIREFLY ASSEMBLY</p> <p>DWG. NO. ETUO-X12-XX-XXX-0-X-1-X-XX</p> <p>BY: AARON B. 04/17/2020 SHEET 2 OF 11</p>



PART NUMBER ETUO-X12-XX-XXX-0-1-1-7-01 SHOWN



PART NUMBER ETUO-X12-XX-XXX-0-1-1-7-0A SHOWN



PART NUMBER ETUO-X12-XX-XXX-0-1-1-7-0C SHOWN



PART NUMBER ETUO-X12-XX-XXX-0-1-1-7-02 SHOWN

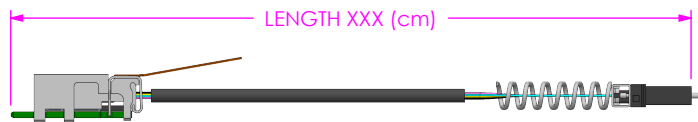


PART NUMBER ETUO-X12-XX-XXX-0-1-1-7-07 SHOWN

<p>PROPRIETARY NOTE THIS DOCUMENT CONTAINS CONFIDENTIAL AND PROPRIETARY INFORMATION AND ALL DESIGN, MANUFACTURING, REPRODUCTION, USE, PATENT RIGHTS AND SALES RIGHTS ARE EXPRESSLY RESERVED BY SAMTEC, INC. THIS DOCUMENT SHALL NOT BE DISCLOSED, IN WHOLE OR PART, TO ANY UNAUTHORIZED PERSON OR ENTITY NOR REPRODUCED, TRANSFERRED OR INCORPORATED IN ANY OTHER PROJECT IN ANY MANNER WITHOUT THE EXPRESS WRITTEN CONSENT OF SAMTEC, INC.</p>	<p>samtec 520 PARK EAST BLVD, NEW ALBANY, IN 47150 PHONE: 812-944-6733 FAX: 812-948-5047 e-Mail info@SAMTEC.com code 55322</p>
<p>DO NOT SCALE DRAWING</p>	<p>DESCRIPTION: EXTENDED TEMPERATURE OPTICAL FIREFLY ASSEMBLY</p>
<p>SHEET SCALE: 1:1</p>	<p>DWG. NO. ETUO-X12-XX-XXX-0-X-1-X-XX BY: AARON B. 04/17/2020 SHEET 3 OF 11</p>



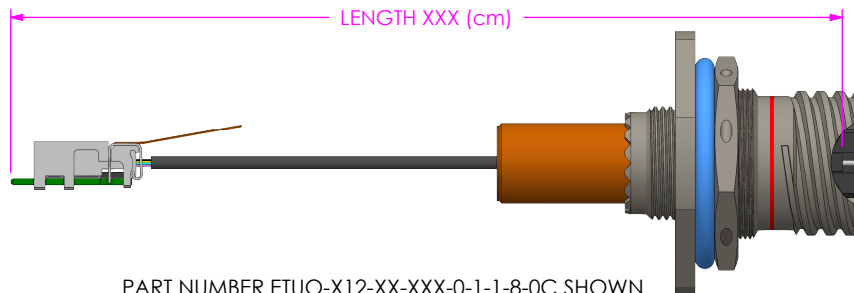
PART NUMBER ETUO-X12-XX-XXX-0-1-1-8-01 SHOWN



PART NUMBER ETUO-X12-XX-XXX-0-1-1-8-0A SHOWN



PART NUMBER ETUO-X12-XX-XXX-0-1-1-8-02 SHOWN



PART NUMBER ETUO-X12-XX-XXX-0-1-1-8-0C SHOWN



PART NUMBER ETUO-X12-XX-XXX-0-1-1-8-07 SHOWN



PROPRIETARY NOTE
 THIS DOCUMENT CONTAINS CONFIDENTIAL AND PROPRIETARY INFORMATION AND ALL DESIGN, MANUFACTURING, REPRODUCTION, USE, PATENT RIGHTS AND SALES RIGHTS ARE EXPRESSLY RESERVED BY SAMTEC, INC. THIS DOCUMENT SHALL NOT BE DISCLOSED, IN WHOLE OR PART, TO ANY UNAUTHORIZED PERSON OR ENTITY NOR REPRODUCED, TRANSFERRED OR INCORPORATED IN ANY OTHER PROJECT IN ANY MANNER WITHOUT THE EXPRESS WRITTEN CONSENT OF SAMTEC, INC.



520 PARK EAST BLVD, NEW ALBANY, IN 47150
 PHONE: 812-944-6733 FAX: 812-948-5047
 e-Mail info@SAMTEC.com code 55322

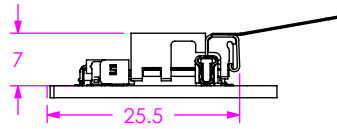
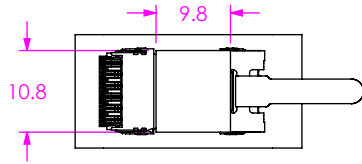
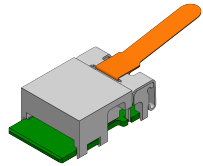
DO NOT SCALE DRAWING

DESCRIPTION:
 EXTENDED TEMPERATURE OPTICAL FIREFLY ASSEMBLY

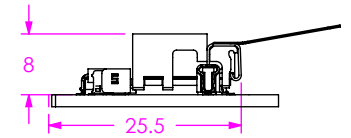
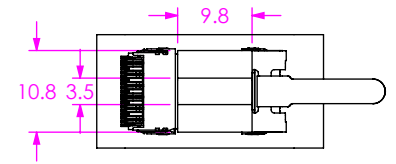
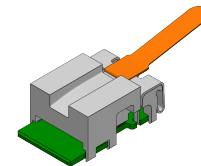
DWG. NO.
 ETUO-X12-XX-XXX-0-X-1-X-XX

SHEET SCALE: 1:1

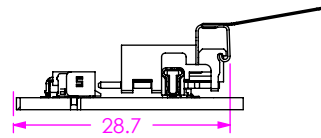
BY: AARON B. 04/17/2020 SHEET 4 OF 11



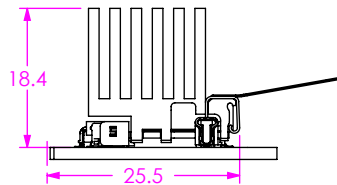
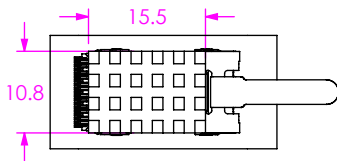
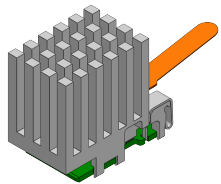
-1 FLAT HEAT SINK



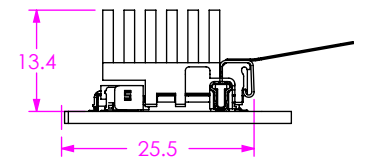
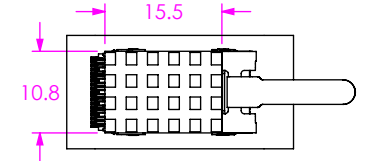
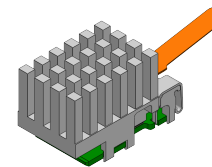
-3 FLAT HEAT SINK WITH PASS THROUGH



KEEP OUT AREA FOR DE-MATING
TYPICAL FOR HEAT SINKS -1/-2/-3/-4
REFER TO UEC5 FOOTPRINT DRAWING
FOR DETAILED KEEPOUT AREAS



-2 PIN-FIN HEAT SINK



-4 LOW-PROFILE PIN-FIN HEAT SINK

PROPRIETARY NOTE
THIS DOCUMENT CONTAINS CONFIDENTIAL AND PROPRIETARY INFORMATION AND ALL DESIGN, MANUFACTURING, REPRODUCTION, USE, PATENT RIGHTS AND SALES RIGHTS ARE EXPRESSLY RESERVED BY SAMTEC, INC. THIS DOCUMENT SHALL NOT BE DISCLOSED, IN WHOLE OR PART, TO ANY UNAUTHORIZED PERSON OR ENTITY NOR REPRODUCED, TRANSFERRED OR INCORPORATED IN ANY OTHER PROJECT IN ANY MANNER WITHOUT THE EXPRESS WRITTEN CONSENT OF SAMTEC, INC.

SHEET SCALE: 1:1

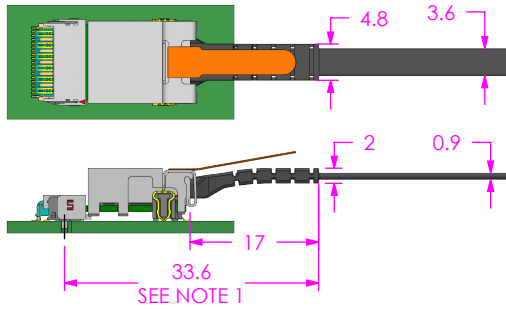


520 PARK EAST BLVD., NEW ALBANY, IN 47150
PHONE: 812-944-6733 FAX: 812-948-5047
e-Mail info@SAMTEC.com code 5322

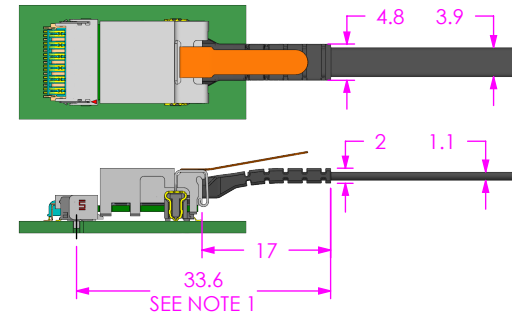
DESCRIPTION:
EXTENDED TEMPERATURE OPTICAL FIREFLY ASSEMBLY

DWG. NO.
ETUO-X12-XX-XXX-0-X-1-X-XX

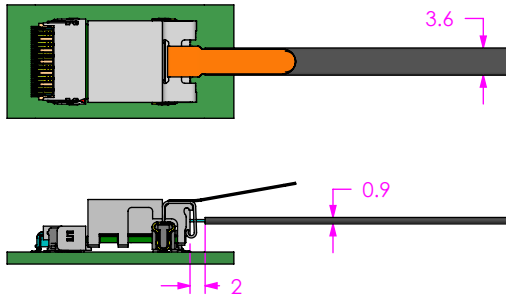
BY: AARON B. 04/17/2020 SHEET 5 OF 11



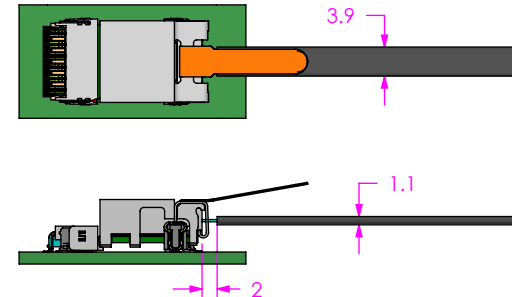
-5 FIBER TYPE, ≤ 50 cm LENGTH



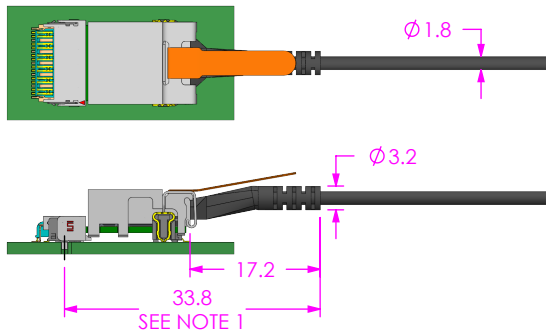
-5 FIBER TYPE, > 50 cm LENGTH



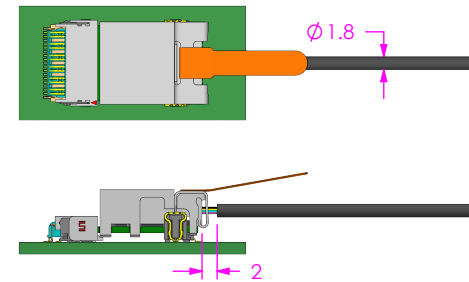
-6 FIBER TYPE, ≤ 50 cm LENGTH



-6 FIBER TYPE, > 50 cm LENGTH



-7 FIBER TYPE



-8 FIBER TYPE

NOTES:
1. DIMENSIONED FROM THE CENTER OF THE ALIGNMENT HOLE AS SHOWN ON THE UEC5/UCC8 CONNECTOR FOOTPRINT

PROPRIETARY NOTE

THIS DOCUMENT CONTAINS CONFIDENTIAL AND PROPRIETARY INFORMATION AND ALL DESIGN, MANUFACTURING, REPRODUCTION, USE, PATENT RIGHTS AND SALES RIGHTS ARE EXPRESSLY RESERVED BY SAMTEC, INC. THIS DOCUMENT SHALL NOT BE DISCLOSED, IN WHOLE OR PART, TO ANY UNAUTHORIZED PERSON OR ENTITY NOR REPRODUCED, TRANSFERRED OR INCORPORATED IN ANY OTHER PROJECT IN ANY MANNER WITHOUT THE EXPRESS WRITTEN CONSENT OF SAMTEC, INC.



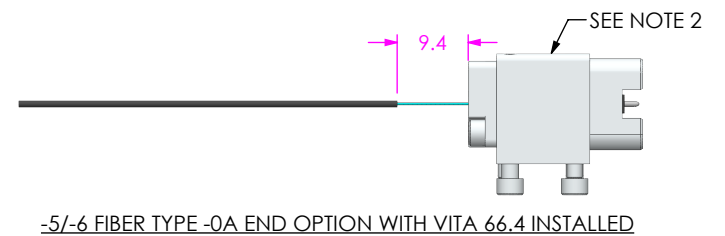
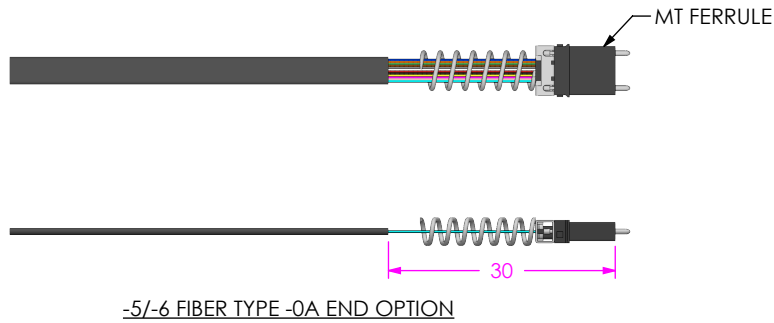
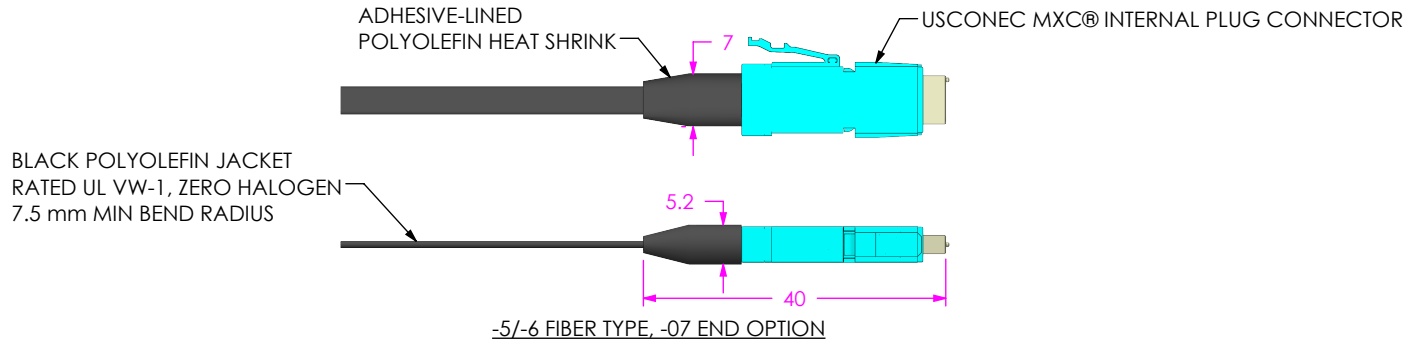
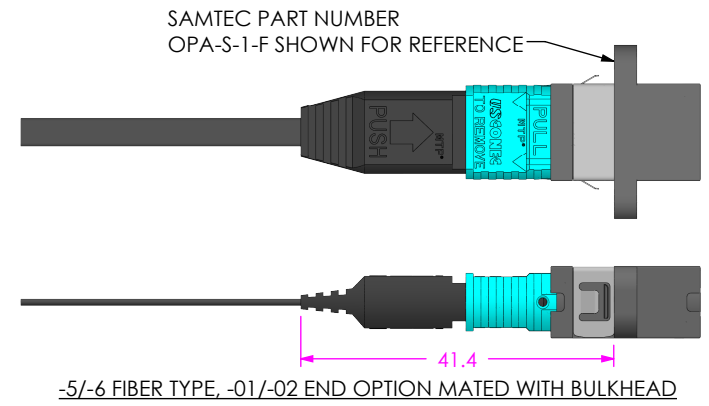
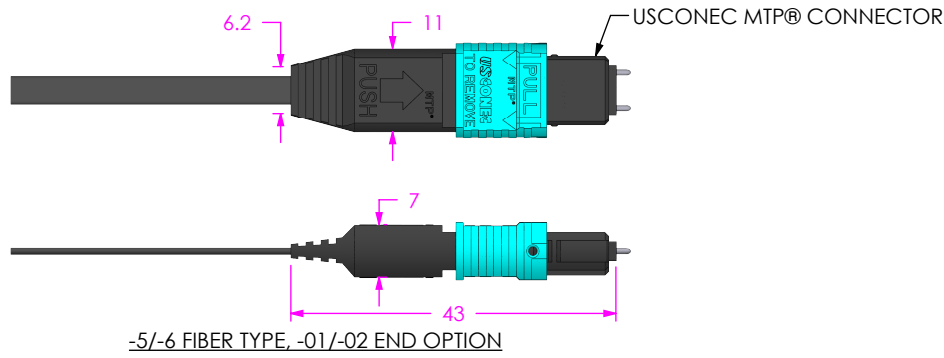
520 PARK EAST BLVD, NEW ALBANY, IN 47150
PHONE: 812-944-6733 FAX: 812-948-5047
e-Mail: info@SAMTEC.com code 55322

DO NOT SCALE DRAWING SHEET SCALE: 1:1

DESCRIPTION:
EXTENDED TEMPERATURE OPTICAL FIREFLY ASSEMBLY

DWG. NO.
ETUO-X12-XX-XXX-0-X-1-X-XX

BY: AARON B. 04/17/2020 SHEET 6 OF 11



NOTES:

1. DUST CAPS/PLUGS NOT SHOWN FOR CLARITY
2. VITA 66.4 CONNECTOR HOUSING NOT INCLUDED WITH ASSEMBLY, SHOWN FOR REFERENCE ONLY.

PROPRIETARY NOTE
 THIS DOCUMENT CONTAINS CONFIDENTIAL AND PROPRIETARY INFORMATION AND ALL DESIGN, MANUFACTURING, REPRODUCTION, USE, PATENT RIGHTS AND SALES RIGHTS ARE EXPRESSLY RESERVED BY SAMTEC, INC. THIS DOCUMENT SHALL NOT BE DISCLOSED, IN WHOLE OR PART, TO ANY UNAUTHORIZED PERSON OR ENTITY NOR REPRODUCED, TRANSFERRED OR INCORPORATED IN ANY OTHER PROJECT IN ANY MANNER WITHOUT THE EXPRESS WRITTEN CONSENT OF SAMTEC, INC.

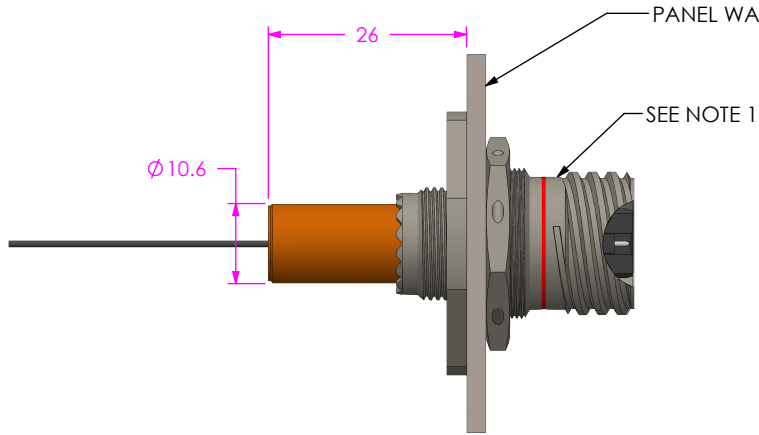
samtec
 520 PARK EAST BLVD, NEW ALBANY, IN 47150
 PHONE: 812-944-6733 FAX: 812-948-5047
 e-Mail info@SAMTEC.com code 55322

SHEET SCALE: 1:1

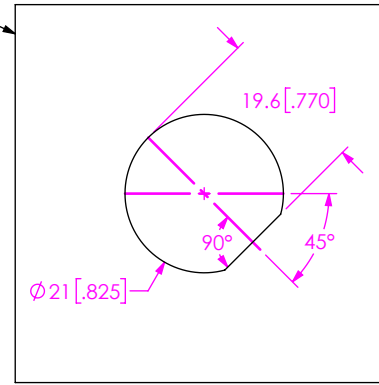
DESCRIPTION:
 EXTENDED TEMPERATURE OPTICAL FIREFLY ASSEMBLY

DWG. NO.
 ETUO-X12-XX-XXX-0-X-1-X-XX

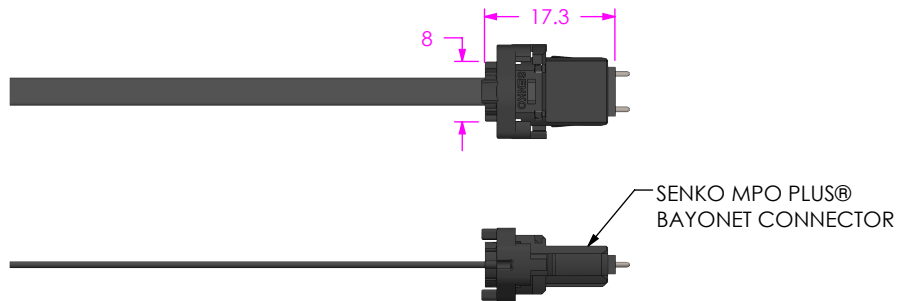
BY: AARON B. 04/17/2020 SHEET 7 OF 11



-5/-6 FIBER TYPE -0C END OPTION

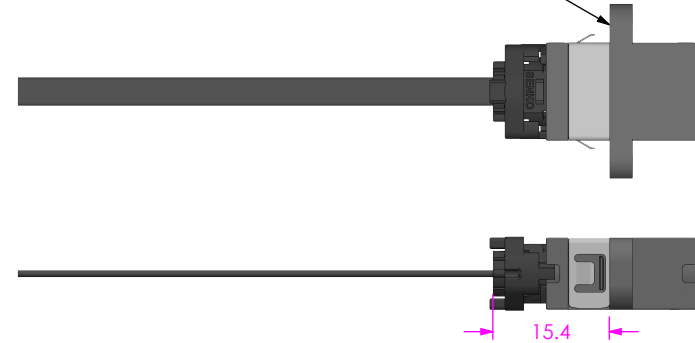


-0C END OPTION RECOMMENDED PANEL CUTOUT
mm[in]



-5/-6 FIBER TYPE -0E END OPTION

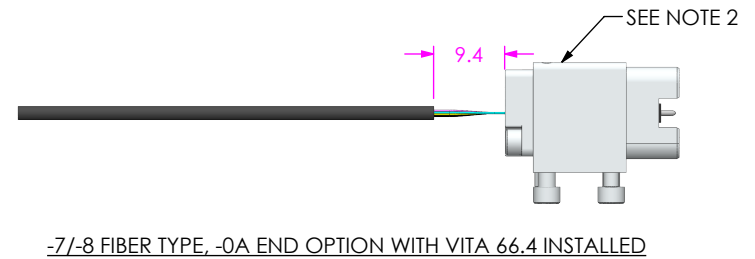
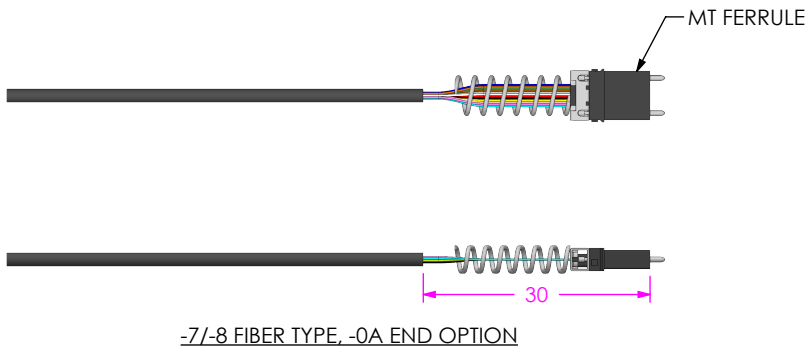
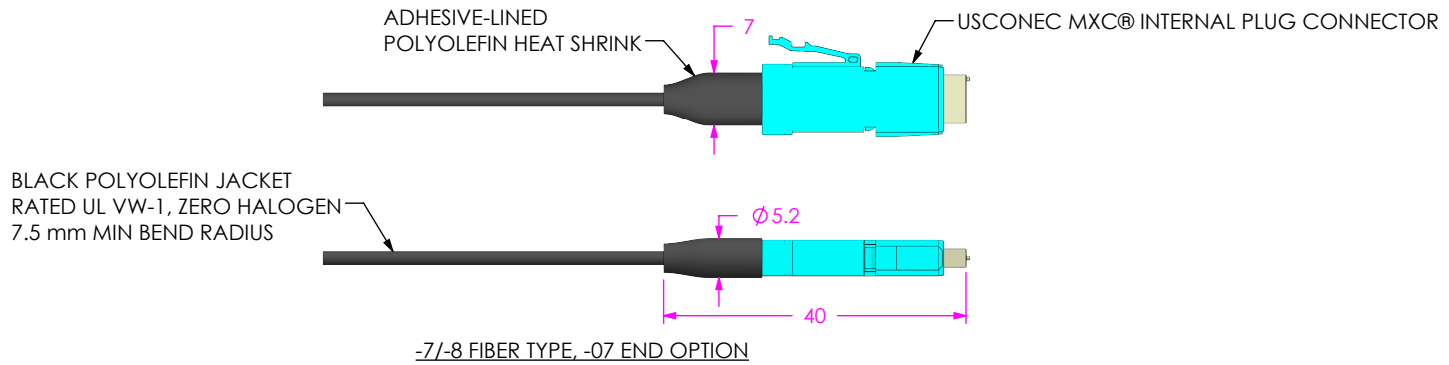
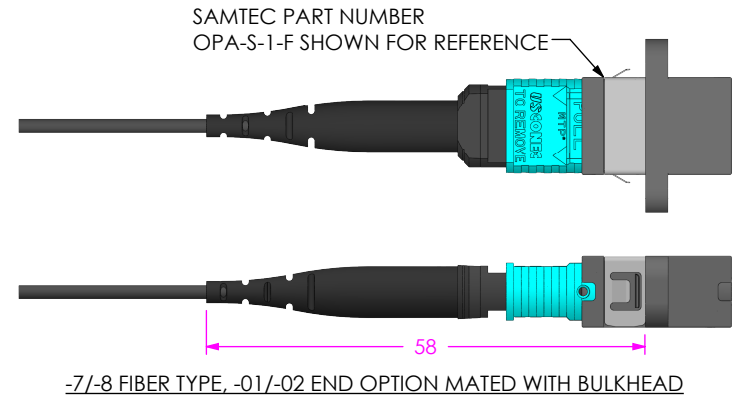
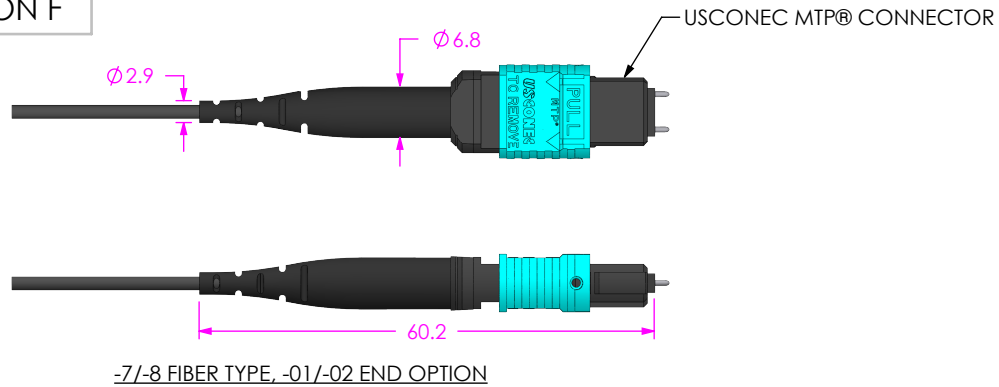
SAMTEC PART NUMBER OPA-S-1-F SHOWN FOR REFERENCE



-5/-6 FIBER TYPE -0E END OPTION MATED WITH BULKHEAD

- NOTES:
1. AMPHENOL PART NUMBER CF-594711-01S. DIMENSIONS GIVEN FOR REFERENCE ONLY

<p>PROPRIETARY NOTE</p> <p>THIS DOCUMENT CONTAINS CONFIDENTIAL AND PROPRIETARY INFORMATION AND ALL DESIGN, MANUFACTURING, REPRODUCTION, USE, PATENT RIGHTS AND SALES RIGHTS ARE EXPRESSLY RESERVED BY SAMTEC, INC. THIS DOCUMENT SHALL NOT BE DISCLOSED, IN WHOLE OR PART, TO ANY UNAUTHORIZED PERSON OR ENTITY NOR REPRODUCED, TRANSFERRED OR INCORPORATED IN ANY OTHER PROJECT IN ANY MANNER WITHOUT THE EXPRESS WRITTEN CONSENT OF SAMTEC, INC.</p>	<p>samtec</p> <p>520 PARK EAST BLVD, NEW ALBANY, IN 47150 PHONE: 812-944-6733 FAX: 812-948-5047 e-Mail info@SAMTEC.com code 55322</p>
<p>DO NOT SCALE DRAWING SHEET SCALE: 1:1</p>	<p>DESCRIPTION: EXTENDED TEMPERATURE OPTICAL FIREFLY ASSEMBLY</p> <p>DWG. NO. ETUO-X12-XX-XXX-0-X-1-X-XX</p> <p>BY: AARON B. 04/17/2020 SHEET 8 OF 11</p>



- NOTES:
1. DUST CAPS/PLUGS NOT SHOWN FOR CLARITY
 2. VITA 66.4 CONNECTOR HOUSING NOT INCLUDED WITH ASSEMBLY, SHOWN FOR REFERENCE ONLY.

PROPRIETARY NOTE

THIS DOCUMENT CONTAINS CONFIDENTIAL AND PROPRIETARY INFORMATION AND ALL DESIGN, MANUFACTURING, REPRODUCTION, USE, PATENT RIGHTS AND SALES RIGHTS ARE EXPRESSLY RESERVED BY SAMTEC, INC. THIS DOCUMENT SHALL NOT BE DISCLOSED, IN WHOLE OR PART, TO ANY UNAUTHORIZED PERSON OR ENTITY NOR REPRODUCED, TRANSFERRED OR INCORPORATED IN ANY OTHER PROJECT IN ANY MANNER WITHOUT THE EXPRESS WRITTEN CONSENT OF SAMTEC, INC.



520 PARK EAST BLVD, NEW ALBANY, IN 47150
 PHONE: 812-944-6733 FAX: 812-948-5047
 e-Mail info@SAMTEC.com code 55322

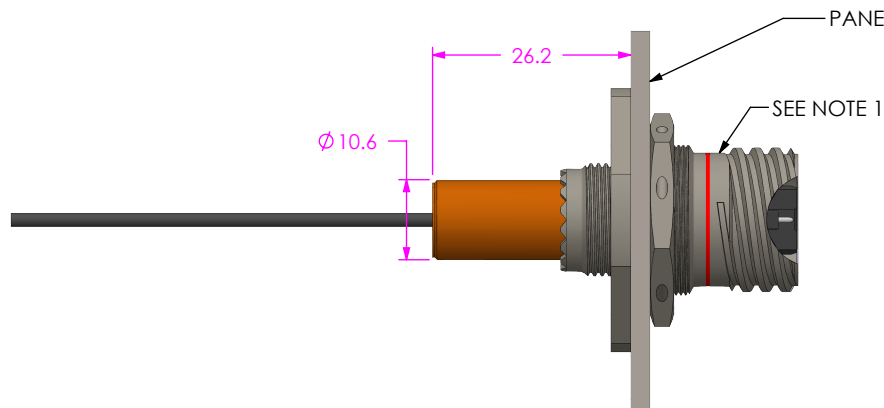
DO NOT SCALE DRAWING

DESCRIPTION: EXTENDED TEMPERATURE OPTICAL FIREFLY ASSEMBLY

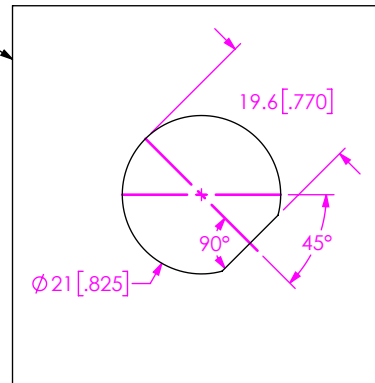
SHEET SCALE: 1:1

DWG. NO. ETUO-X12-XX-XXX-0-X-1-X-XX

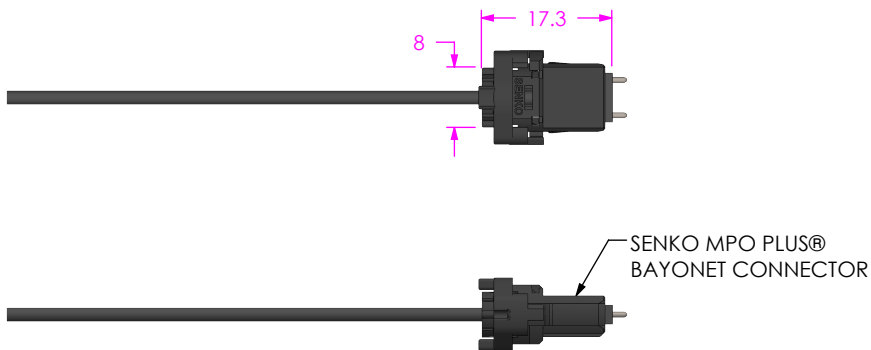
BY: AARON B. 04/17/2020 SHEET 9 OF 11



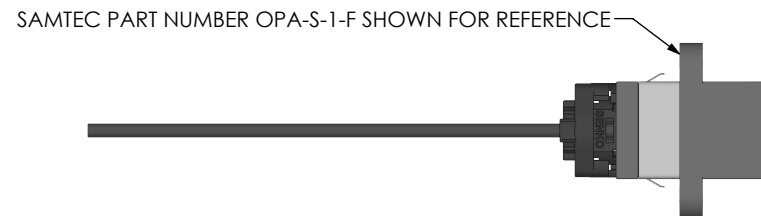
-7/-8 FIBER TYPE -0C END OPTION (SHOWN WITH PANEL)



-0C END OPTION RECOMMENDED PANEL CUTOUT
mm[in]



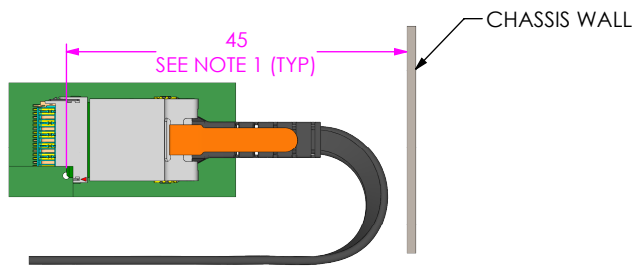
-7/-8 FIBER TYPE -0E END OPTION



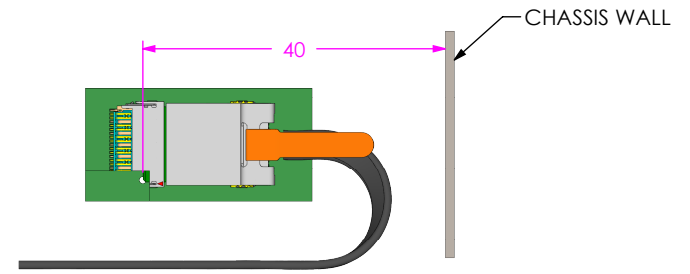
-7/-8 FIBER TYPE -0E END OPTION MATED WITH BULKHEAD

NOTES:
1. AMPHENOL PART NUMBER CF-594711-01S. DIMENSIONS GIVEN FOR REFERENCE ONLY

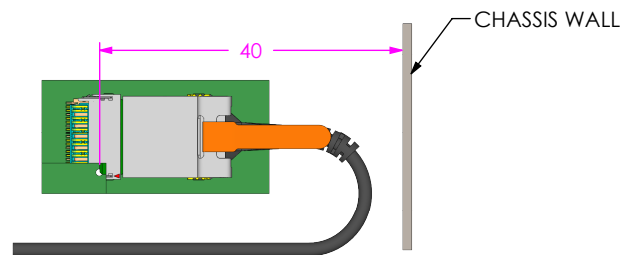
<p>PROPRIETARY NOTE</p> <p>THIS DOCUMENT CONTAINS CONFIDENTIAL AND PROPRIETARY INFORMATION AND ALL DESIGN, MANUFACTURING, REPRODUCTION, USE, PATENT RIGHTS AND SALES RIGHTS ARE EXPRESSLY RESERVED BY SAMTEC, INC. THIS DOCUMENT SHALL NOT BE DISCLOSED, IN WHOLE OR PART, TO ANY UNAUTHORIZED PERSON OR ENTITY NOR REPRODUCED, TRANSFERRED OR INCORPORATED IN ANY OTHER PROJECT IN ANY MANNER WITHOUT THE EXPRESS WRITTEN CONSENT OF SAMTEC, INC.</p>		
	<p>520 PARK EAST BLVD, NEW ALBANY, IN 47150 PHONE: 812-944-6733 FAX: 812-948-5047 e-Mail info@SAMTEC.com code 55322</p>	
	<p>DO NOT SCALE DRAWING</p>	<p>DESCRIPTION: EXTENDED TEMPERATURE OPTICAL FIREFLY ASSEMBLY</p>
<p>SHEET SCALE: 1:1</p>	<p>DWG. NO. ETUO-X12-XX-XXX-0-X-1-X-XX</p>	<p>BY: AARON B. 04/17/2020 SHEET 10 OF 11</p>



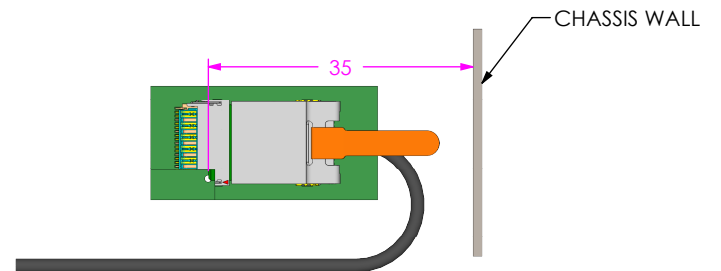
-5 FIBER TYPE RECOMMENDED CABLE ESCAPE CLEARANCE



-6 FIBER TYPE RECOMMENDED CABLE ESCAPE CLEARANCE




-7 FIBER TYPE RECOMMENDED CABLE ESCAPE CLEARANCE



-8 FIBER TYPE RECOMMENDED CABLE ESCAPE CLEARANCE

NOTES:

1. DIMENSIONED FROM THE CENTER OF THE ALIGNMENT PIN HOLE AS SHOWN ON THE UEC5/UCC8 CONNECTOR FOOTPRINT
2. DUE TO THE COMPLIANT NATURE OF FIBER CABLE AND THE MOLDED FIBER BOOT COMPONENTS, THE DIMENSIONS SHOWN ON THIS SHEET ARE FOR GUIDANCE ONLY. EACH APPLICATION IS UNIQUE AND MAY RESULT IN UNIQUE CLEARANCE DIMENSIONS FOR THE CABLE ESCAPE.

<p>PROPRIETARY NOTE</p> <p>THIS DOCUMENT CONTAINS CONFIDENTIAL AND PROPRIETARY INFORMATION AND ALL DESIGN, MANUFACTURING, REPRODUCTION, USE, PATENT RIGHTS AND SALES RIGHTS ARE EXPRESSLY RESERVED BY SAMTEC, INC. THIS DOCUMENT SHALL NOT BE DISCLOSED, IN WHOLE OR PART, TO ANY UNAUTHORIZED PERSON OR ENTITY NOR REPRODUCED, TRANSFERRED OR INCORPORATED IN ANY OTHER PROJECT IN ANY MANNER WITHOUT THE EXPRESS WRITTEN CONSENT OF SAMTEC, INC.</p>	 <p>520 PARK EAST BLVD, NEW ALBANY, IN 47150 PHONE: 812-944-6733 FAX: 812-948-5047 e-Mail info@SAMTEC.com code 55322</p>
<p>DO NOT SCALE DRAWING SHEET SCALE: 1:1</p>	<p>DESCRIPTION: EXTENDED TEMPERATURE OPTICAL FIREFLY ASSEMBLY DWG. NO. ETUO-X12-XX-XXX-0-X-1-X-XX BY: AARON B. 04/17/2020 SHEET 11 OF 11</p>