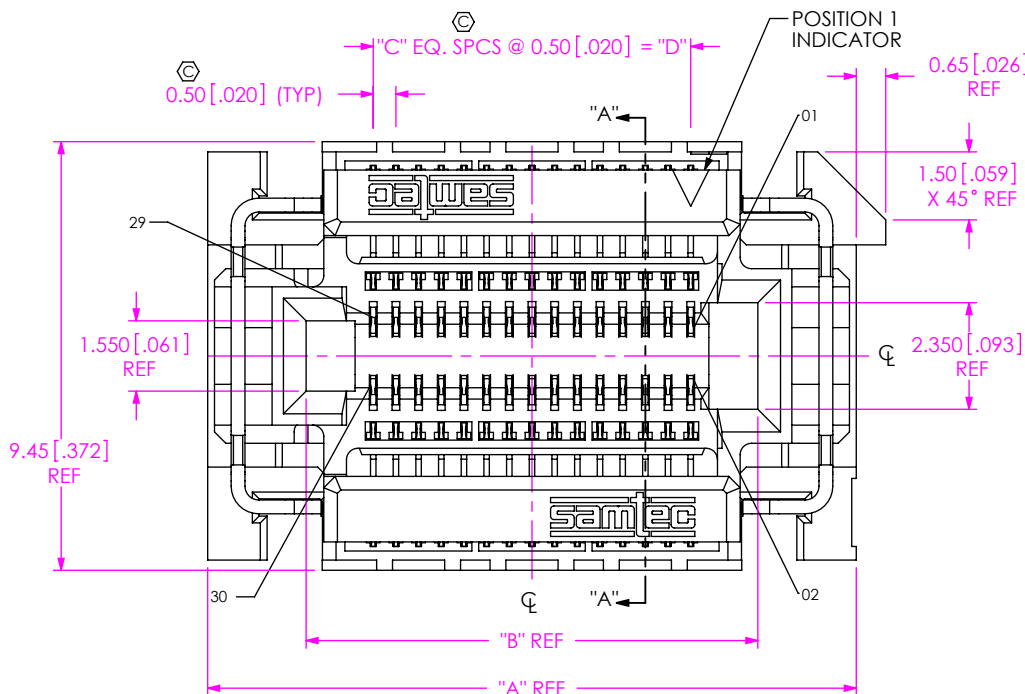


DO NOT
SCALE FROM
THIS PRINT

FS5-XX-XX.X-X-DV-XX-X-XR



- No OF POSITIONS**
-15, -30 (PER ROW)
 - LEAD STYLE**
-04.0: 4MM
 - PLATING SPECIFICATION**
-L: LIGHT SELECTIVE, 10 AU / 50 NI MIN ON CONTACT, MATTE TIN ON TAIL
 - ROW SPECIFICATION**
-DV: DOUBLE VERTICAL
 - TAPE & REEL (SEE NOTES 6 & 7)**
-TR: TAPE & REEL
-FR: FULL REEL QTY TAPE & REEL
 - OPTION**
-K: POLYIMIDE PAD (SEE FIG 3, SHT 3)
 - WELD TAB**
-TH: THRU HOLE (USE WT-62-XX.X-TH-X)
*-SM: SURFACE MOUNT (USE WT-62-XX.X-SM-X)
- (* = NOT TOOLED)

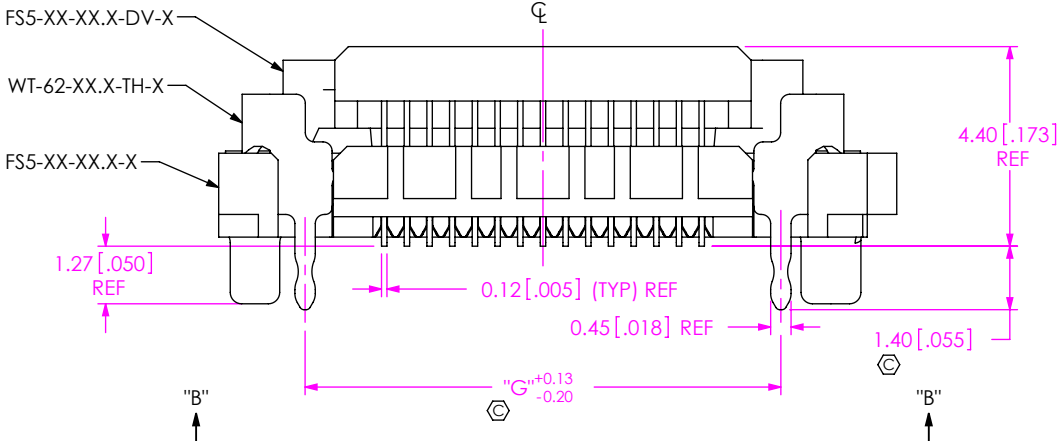
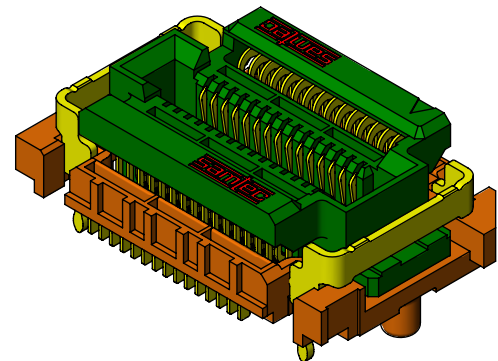


TABLE 3

WELD TAB	WT PART NUMBER
-TH	WT-62-XX.X-TH-X
-SM	WT-62-XX.X-SM-X

TABLE 1

STACK HEIGHT

FS5 LEAD STYLE	FT5 LEAD STYLE				
	-01.0	-03.0	-06.0	-08.0	-10.0
-04.0	5.0 [0.20]	7.0 [0.28]	10.0 [0.39]	12.0 [0.47]	14.0 [0.55]

- NOTES:
- ⊕ REPRESENTS A CRITICAL DIMENSION.
 - PUSH OUT FORCE 2.22N [.50LBS].
 - NOTE DELETED.
 - NOTE DELETED.
 - NOTE DELETED.
 - ORDERS WILL BE PACKAGED ACCORDING TO THE SAMTEC PACKAGING EFFICIENCY STANDARDS (SPES) FOUND ON WWW.SAMTEC.COM.
 - ATTACH LABEL TO EACH REEL.

FIG 1
FS5-15-04.0-X-DV-TH-X-XR SHOWN

UNLESS OTHERWISE SPECIFIED, DIMENSIONS ARE IN MILLIMETERS [INCHES].
TOLERANCES ARE:
DECIMALS ANGLES
X.X: ±0.3 [.01] 2°
X.XX: ±0.13 [.005]
X.XXX: ±0.051 [.0020]

MATERIAL: DO NOT SCALE DRAWING SHEET SCALE: 6:1
INSULATOR: LCP, COLOR: BLACK UL 94 V0
CONTACT: BeCu
WT: PHOS BRONZE

PROPRIETARY NOTE
THIS DOCUMENT CONTAINS CONFIDENTIAL AND PROPRIETARY INFORMATION AND ALL DESIGN, MANUFACTURING, REPRODUCTION, USE, PATENT RIGHTS AND SALES RIGHTS ARE EXPRESSLY RESERVED BY SAMTEC, INC. THIS DOCUMENT SHALL NOT BE DISCLOSED, IN WHOLE OR PART, TO ANY UNAUTHORIZED PERSON OR ENTITY NOR REPRODUCED, TRANSFERRED OR INCORPORATED IN ANY OTHER PROJECT IN ANY MANNER WITHOUT THE EXPRESS WRITTEN CONSENT OF SAMTEC, INC.

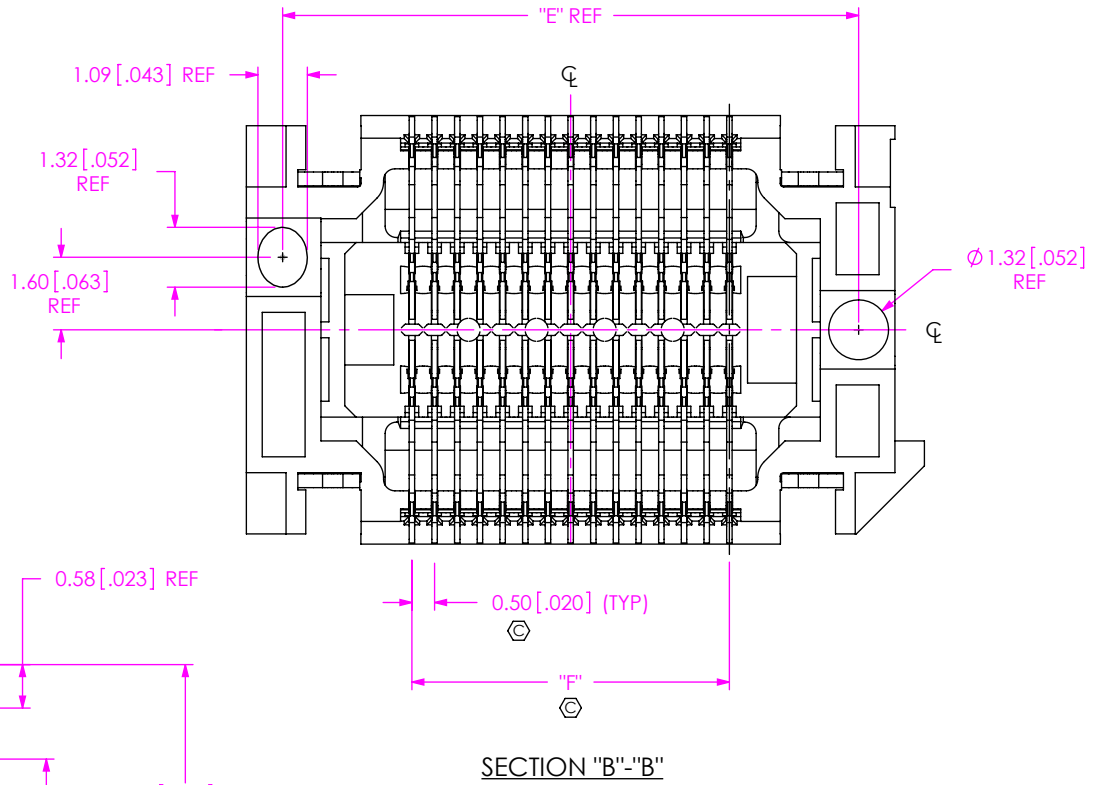
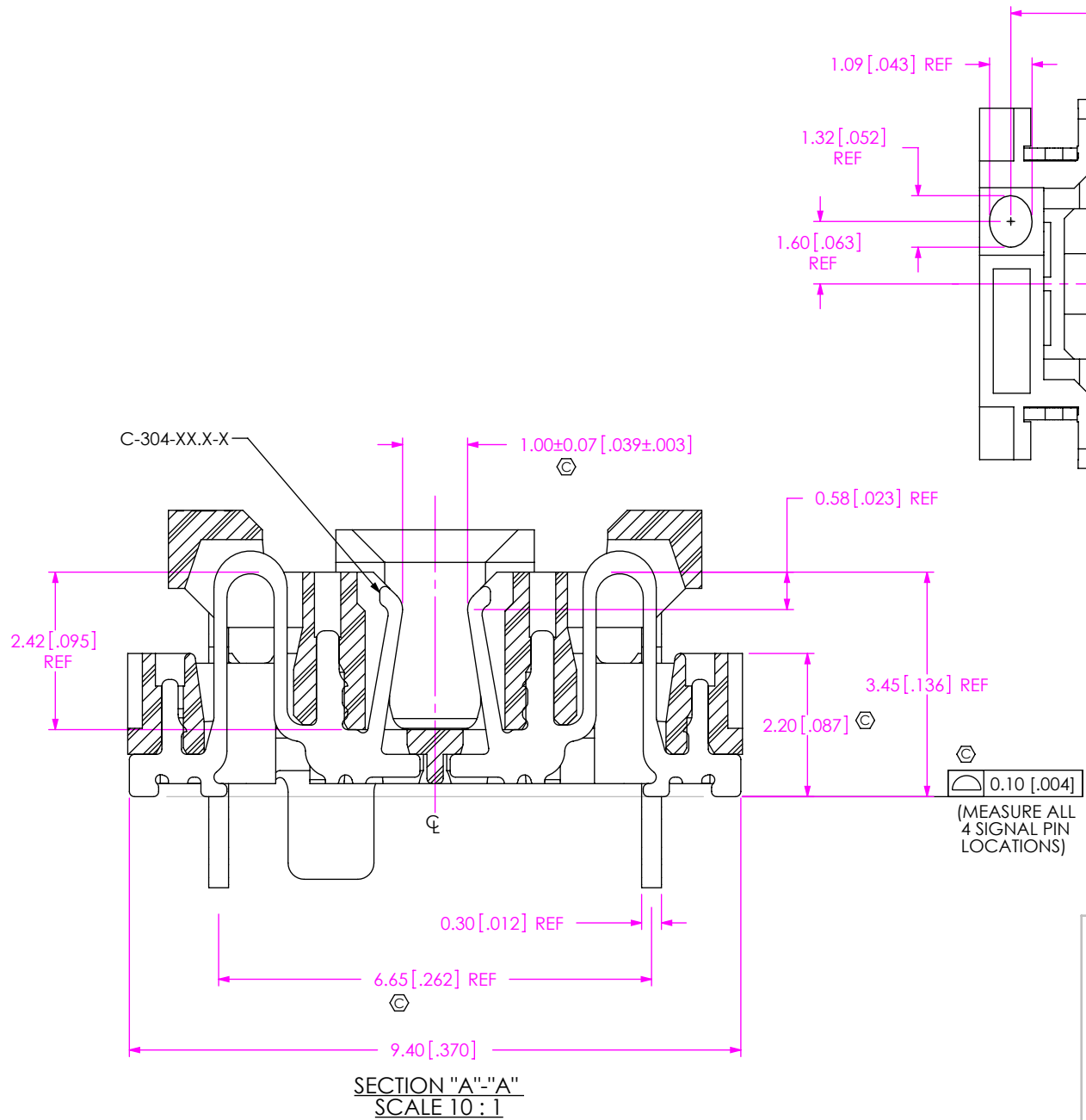
520 PARK EAST BLVD, NEW ALBANY, IN 47150
PHONE: 812-944-6733 FAX: 812-948-5047
e-Mail: info@SAMTEC.com code: 55322

DESCRIPTION:
FS5 SOCKET FLOATING ASSEMBLY

DWG. NO.
FS5-XX-XX.X-X-DV-XX-X-XR

BY: R MUSSER 08/04/2009 SHEET 1 OF 3

TABLE 2												
No. OF POS	"A"		"B"		"C"	"D"		"E"		"F"	"G"	
-15	14.30	[0.563]	9.96	[0.392]	14	7.000	[0.2756]	12.70	[0.500]	7.000	[0.2756]	10.50 [0.413]
-30	21.80	[0.858]	17.46	[0.687]	29	14.500	[0.5709]	20.20	[0.795]	14.500	[0.5709]	18.00 [0.709]



PROPRIETARY NOTE
 THIS DOCUMENT CONTAINS CONFIDENTIAL AND PROPRIETARY INFORMATION AND ALL DESIGN, MANUFACTURING, REPRODUCTION, USE, PATENT RIGHTS AND SALES RIGHTS ARE EXPRESSLY RESERVED BY SAMTEC, INC. THIS DOCUMENT SHALL NOT BE DISCLOSED, IN WHOLE OR PART, TO ANY UNAUTHORIZED PERSON OR ENTITY NOR REPRODUCED, TRANSFERRED OR INCORPORATED IN ANY OTHER PROJECT IN ANY MANNER WITHOUT THE EXPRESS WRITTEN CONSENT OF SAMTEC, INC.

DO NOT SCALE DRAWING
 SHEET SCALE: 6:1

520 PARK EAST BLVD, NEW ALBANY, IN 47150
 PHONE: 812-944-6733 FAX: 812-948-5047
 e-Mail: info@SAMTEC.com code: 55322

DESCRIPTION: FS5 SOCKET FLOATING ASSEMBLY

DWG. NO. FS5-XX-XX.X-X-DV-XX-X-XR

BY: R MUSSER 08/04/2009 SHEET 2 OF 3

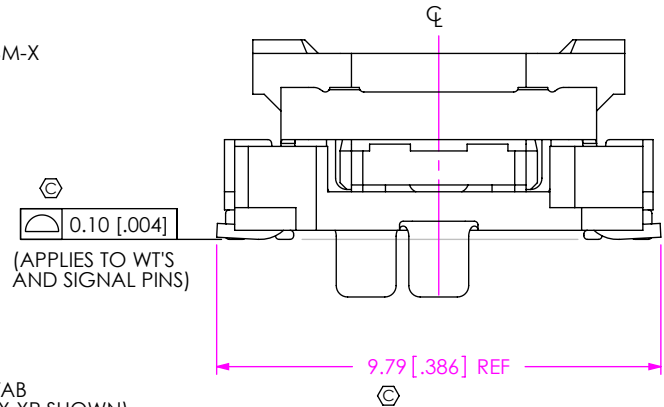
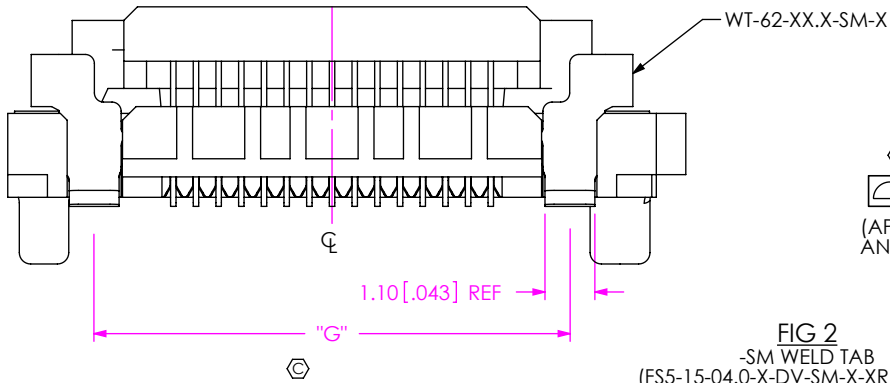
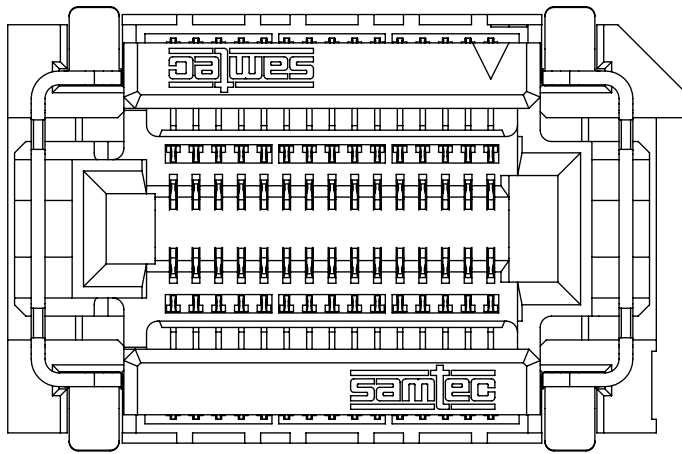


FIG 2
-SM WELD TAB
(FS5-15-04.0-X-DV-SM-X-XR SHOWN)
(SAME AS FIG 1, EXCEPT AS SHOWN)

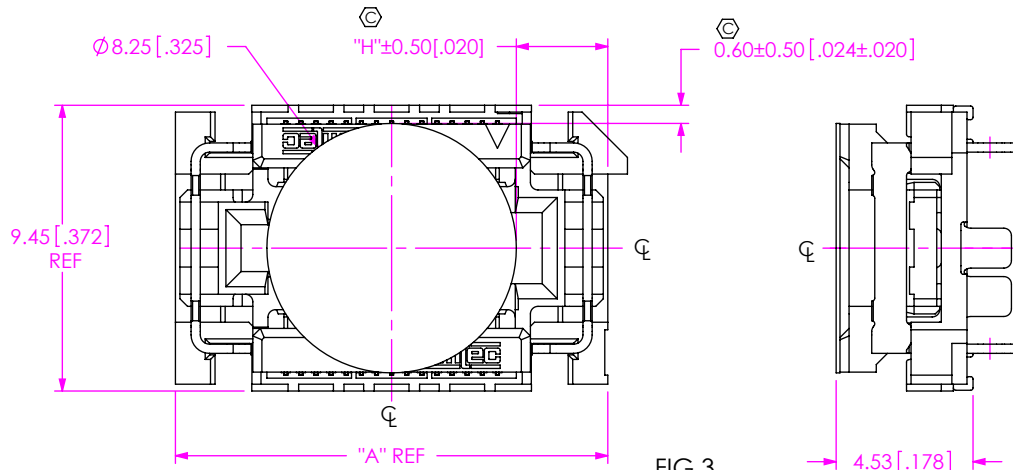


FIG 3
-K: POLYIMIDE PAD
(USE K-DOT-.325-.450-.005)
(FS5-15-04.0-X-DV-TH-K-XR SHOWN)

No. OF POS	"H"
-15	3.03 [0.119]
-30	6.78 [0.267]

PROPRIETARY NOTE
THIS DOCUMENT CONTAINS CONFIDENTIAL AND PROPRIETARY INFORMATION AND ALL DESIGN, MANUFACTURING, REPRODUCTION, USE, PATENT RIGHTS AND SALES RIGHTS ARE EXPRESSLY RESERVED BY SAMTEC, INC. THIS DOCUMENT SHALL NOT BE DISCLOSED, IN WHOLE OR PART, TO ANY UNAUTHORIZED PERSON OR ENTITY NOR REPRODUCED, TRANSFERRED OR INCORPORATED IN ANY OTHER PROJECT IN ANY MANNER WITHOUT THE EXPRESS WRITTEN CONSENT OF SAMTEC, INC.

DO NOT SCALE DRAWING

SHEET SCALE: 6:1



520 PARK EAST BLVD, NEW ALBANY, IN 47150
PHONE: 812-944-6733 FAX: 812-948-5047
e-Mail: info@SAMTEC.com code: 55322

DESCRIPTION:
FS5 SOCKET FLOATING ASSEMBLY

DWG. NO.
FS5-XX-XX.X-X-DV-XX-X-XR

BY: R MUSSER 08/04/2009 SHEET 3 OF 3