

DESIGNED AND DIMENSIONED IN MILLIMETERS[INCHES]
ALL DIMENSIONS REFERENCE EXCEPT AS SHOWN

DO NOT SCALE FROM THIS PRINT

Pb THIS PRODUCT MANUFACTURED WITH LEAD-FREE PROCESSING

GC6-XXX-XX.X-XX-XX-X-X

No OF POSITIONS
-028: 28 POSITIONS (1C)
-042: 42 POSITIONS (2C)
-070: 70 POSITIONS (4C)
*-084: 84 POSITIONS (4C+)

CABLE TYPE
*-1: 3485 TWINAX CABLE
-2: 34100 TWINAX CABLE
*-3: 33100 TWINAX CABLE

LENGTH
-XX.X (INCHES)
(04.0 MINIMUM)

WIRE MAPPING
-1: PIN A1 TO PIN A1
(SEE TABLE 2, SHT 5)

FIRST END
-SU: STRAIGHT LATCH UP
-RU: RIGHT ANGLE LATCH UP

SECOND END
-SD: STRAIGHT LATCH DOWN
-RD: RIGHT ANGLE LATCH DOWN
(NOT AVAILABLE WITH -SU OPTION)

(* NOT TOOLED)

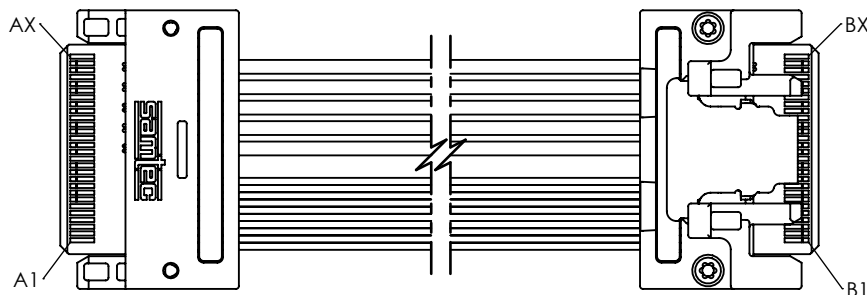
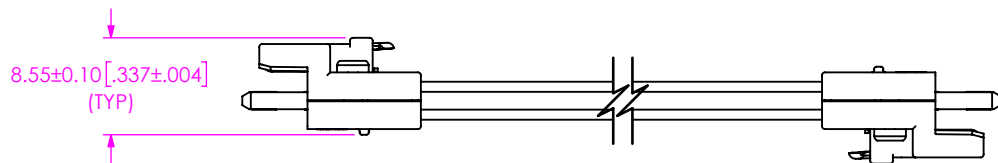
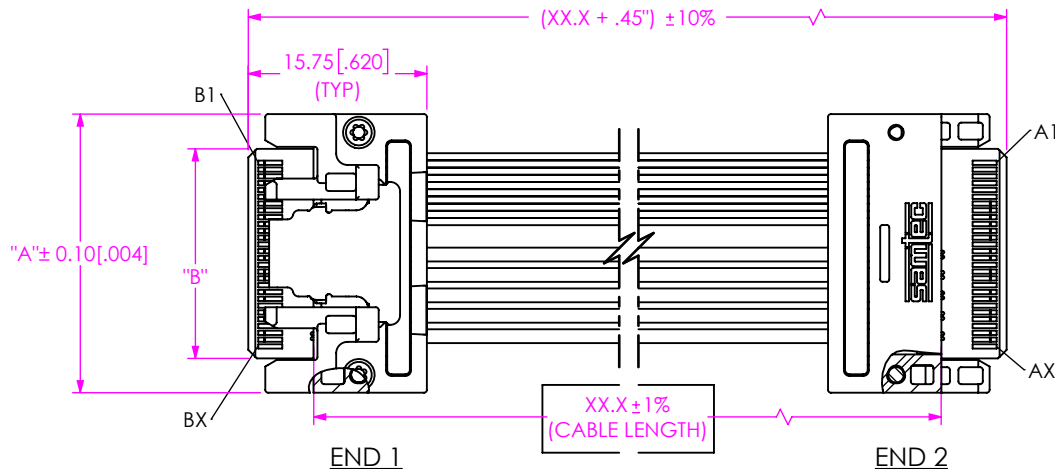
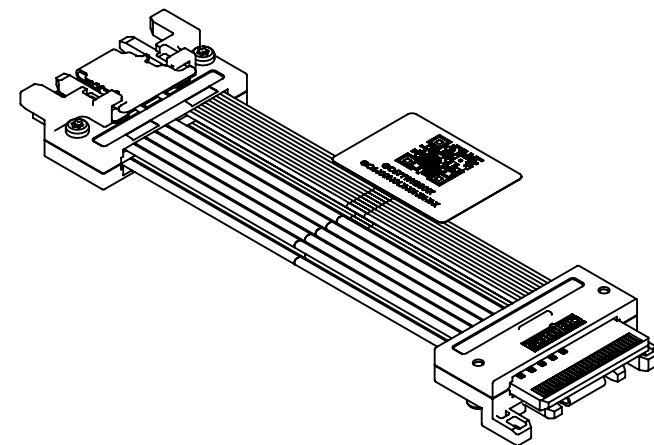


FIG 1
GC6-028-XX.X-SU-SD-1-1 SHOWN



No. OF POS	"A"	"B"	X
-028	24.57 [.967]	18.480 [.728]	28
-042	36.29 [1.429]	30.170 [1.188]	42
-070	57.71 [2.272]	51.280 [2.019]	70
-084	69.86 [2.750]	63.475 [2.499]	84

PROPRIETARY NOTE

THIS DOCUMENT CONTAINS CONFIDENTIAL AND PROPRIETARY INFORMATION AND ALL DESIGN, MANUFACTURING, REPRODUCTION, USE, PATENT RIGHTS AND SALES RIGHTS ARE EXPRESSLY RESERVED BY SAMTEC, INC. THIS DOCUMENT SHALL NOT BE DISCLOSED, IN WHOLE OR PART, TO ANY UNAUTHORIZED PERSON OR ENTITY NOR REPRODUCED, TRANSFERRED OR INCORPORATED IN ANY OTHER PROJECT IN ANY MANNER WITHOUT THE EXPRESS WRITTEN CONSENT OF SAMTEC, INC.

samtec

520 PARK EAST BLVD. NEW ALBANY, IN 47150
PHONE: 812-944-6733 FAX: 812-948-5047
e-Mail: info@SAMTEC.com code 55322

DO NOT SCALE DRAWING
SHEET SCALE: 1.5:1
MATERIAL:
INSULATOR: VECTRA E130, COLOR: BLACK
LATCH: STAINLESS STEEL

DESCRIPTION:
GENERATE CABLE 0.6mm

DWG. NO.
GC6-XXX-XX.X-XX-XX-X-X

BY: JERRY SU 12/29/2018 SHEET 1 OF 5

NOTES:
1. ALL ASSEMBLIES TO BE 100% ELECTRICALLY TESTED.
2. ALL ASSEMBLIES TO BE 100% HI-POT TESTED AT 300V.

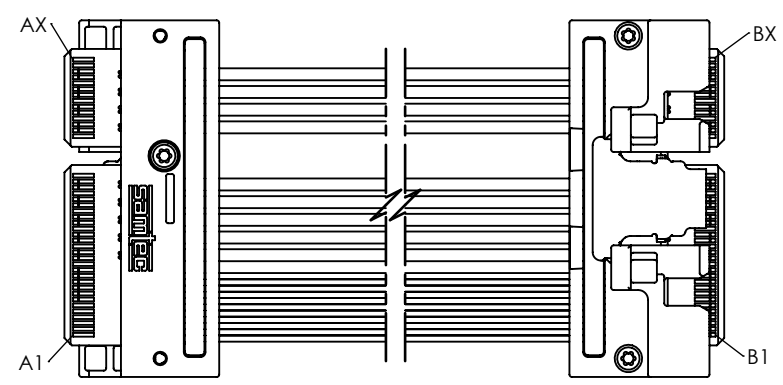
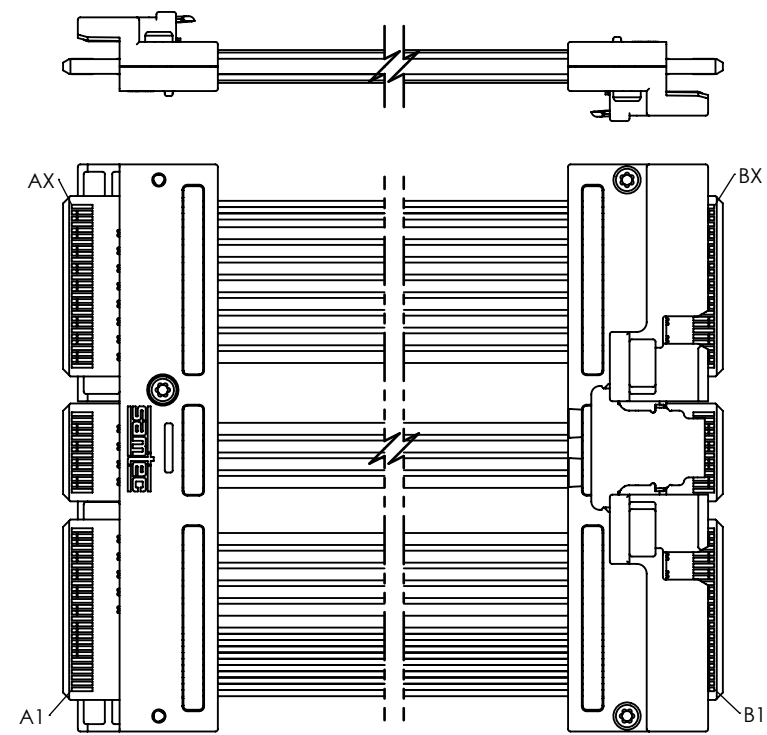
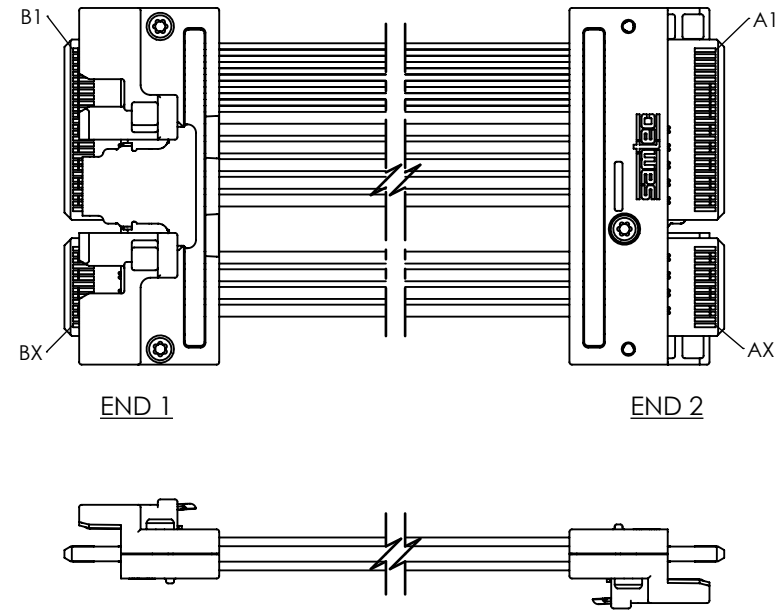
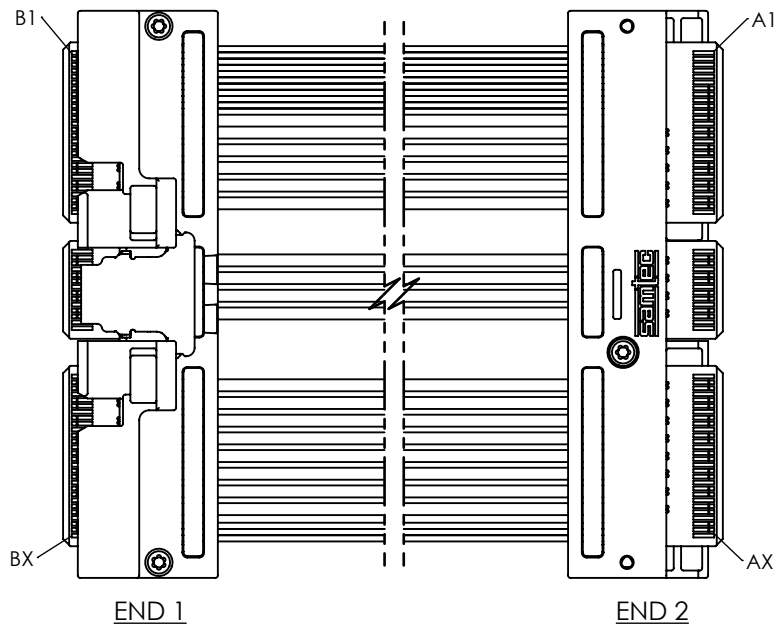


FIG 3
GC6-070-XX.X-SU-SD-1-1 SHOWN
(DIFFERENT AS SHOWN, OTHERWISE SAME AS FIG 1)

FIG 2
GC6-042-XX.X-SU-SD-1-1 SHOWN
(DIFFERENT AS SHOWN, OTHERWISE SAME AS FIG 1)

PROPRIETARY NOTE
THIS DOCUMENT CONTAINS CONFIDENTIAL AND PROPRIETARY INFORMATION AND ALL DESIGN, MANUFACTURING, REPRODUCTION, USE, PATENT RIGHTS AND SALES RIGHTS ARE EXPRESSLY RESERVED BY SAMTEC, INC. THIS DOCUMENT SHALL NOT BE DISCLOSED, IN WHOLE OR PART, TO ANY UNAUTHORIZED PERSON OR ENTITY NOR REPRODUCED, TRANSFERRED OR INCORPORATED IN ANY OTHER PROJECT IN ANY MANNER WITHOUT THE EXPRESS WRITTEN CONSENT OF SAMTEC, INC.

samtec
520 PARK EAST BLVD, NEW ALBANY, IN 47150
PHONE: 812-944-6733 FAX: 812-948-5047
e-Mail info@SAMTEC.com code 55322

DO NOT SCALE DRAWING
SHEET SCALE: 1:2

DESCRIPTION:
GENERATE CABLE 0.6mm
DWG. NO.
GC6-XXX-XX.X-XX-XX-X-X
BY: JERRY SU 12/29/2018 SHEET 2 OF 5

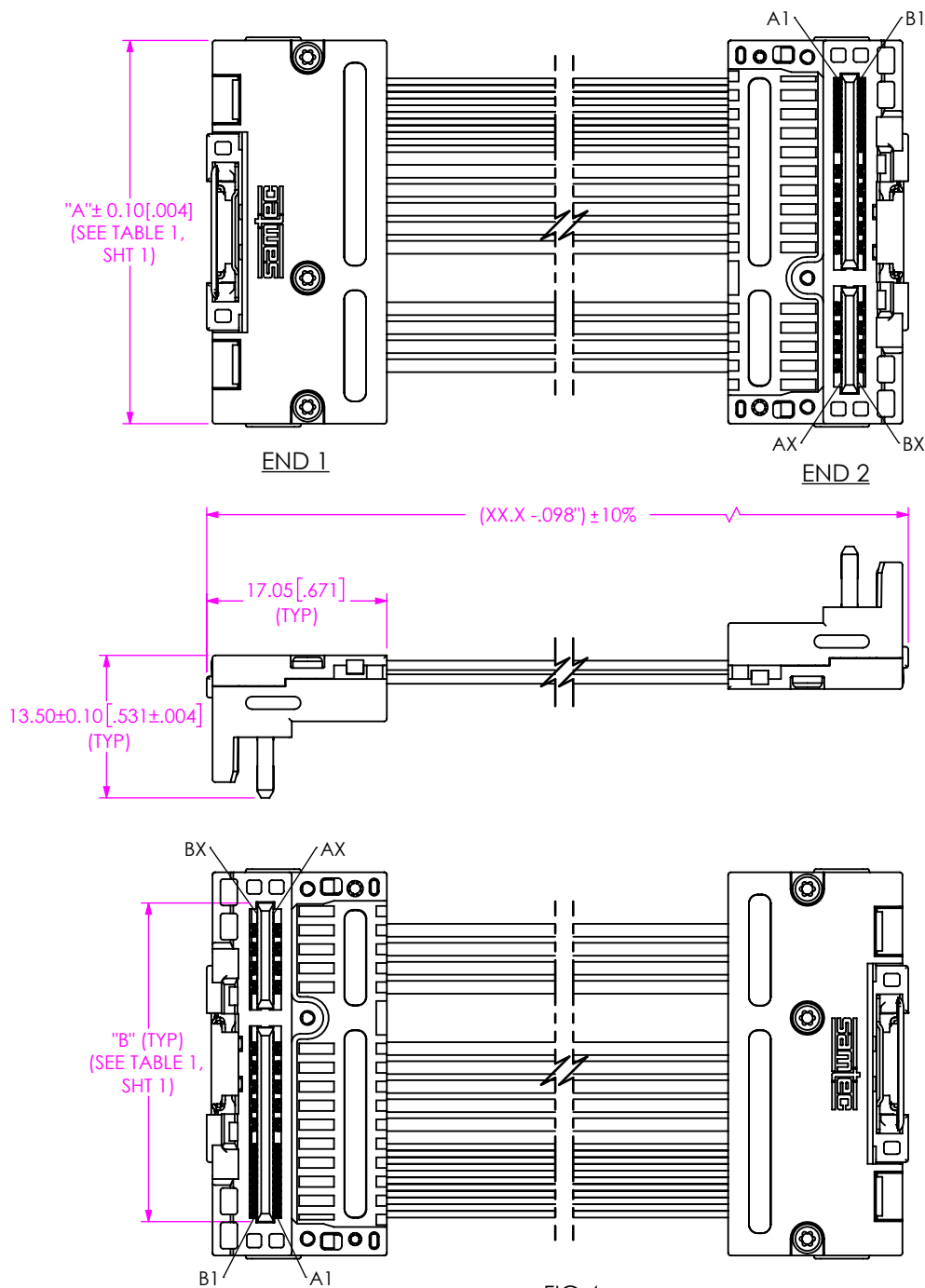


FIG 4
GC6-042-XX.X-RU-RD-1-1 SHOWN
(DIFFERENT AS SHOWN, OTHERWISE SAME AS FIG 1)

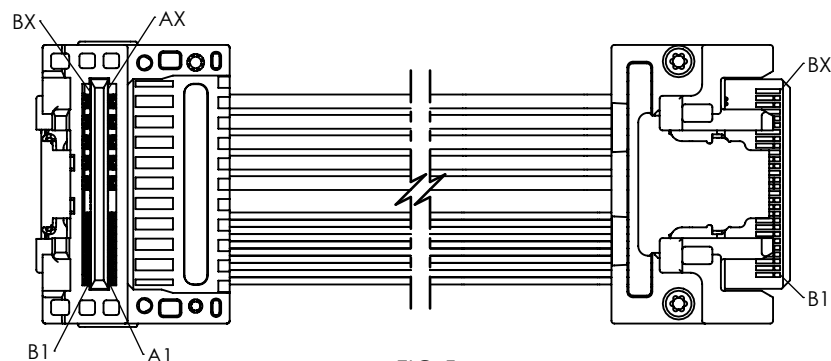
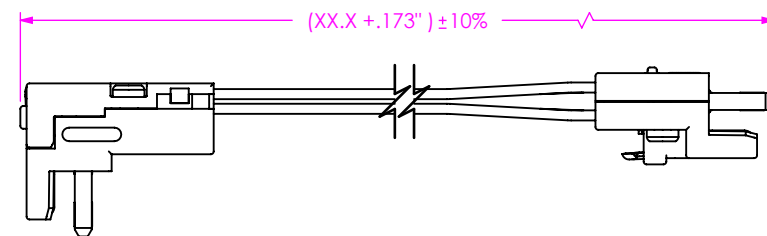
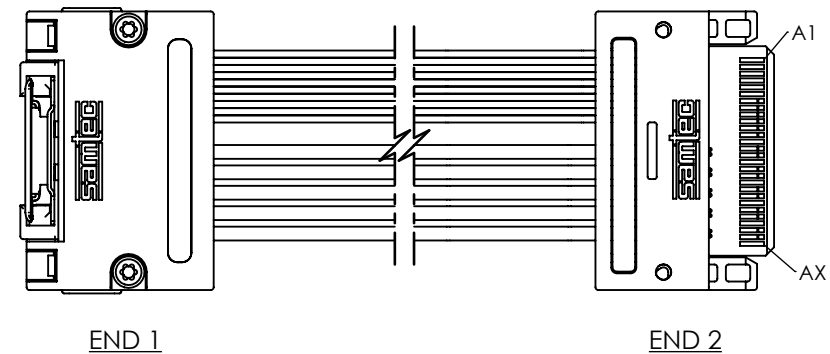


FIG 5
GC6-028-XX.X-RU-SD-1-1 SHOWN
(DIFFERENT AS SHOWN, OTHERWISE SAME AS FIG 1 & 4)

PROPRIETARY NOTE
THIS DOCUMENT CONTAINS CONFIDENTIAL AND PROPRIETARY INFORMATION AND ALL DESIGN, MANUFACTURING, REPRODUCTION, USE, PATENT RIGHTS AND SALES RIGHTS ARE EXPRESSLY RESERVED BY SAMTEC, INC. THIS DOCUMENT SHALL NOT BE DISCLOSED, IN WHOLE OR PART, TO ANY UNAUTHORIZED PERSON OR ENTITY NOR REPRODUCED, TRANSFERRED OR INCORPORATED IN ANY OTHER PROJECT IN ANY MANNER WITHOUT THE EXPRESS WRITTEN CONSENT OF SAMTEC, INC.



520 PARK EAST BLVD, NEW ALBANY, IN 47150
PHONE: 812-944-6733 FAX: 812-948-5047
e-Mail: info@SAMTEC.com code 55322

DO NOT SCALE DRAWING

SHEET SCALE: 1:2

DESCRIPTION:
GENERATE CABLE 0.6mm

DWG. NO.
GC6-XXX-XX.X-XX-XX-X-X

BY: JERRY SU 12/29/2018 SHEET 3 OF 5

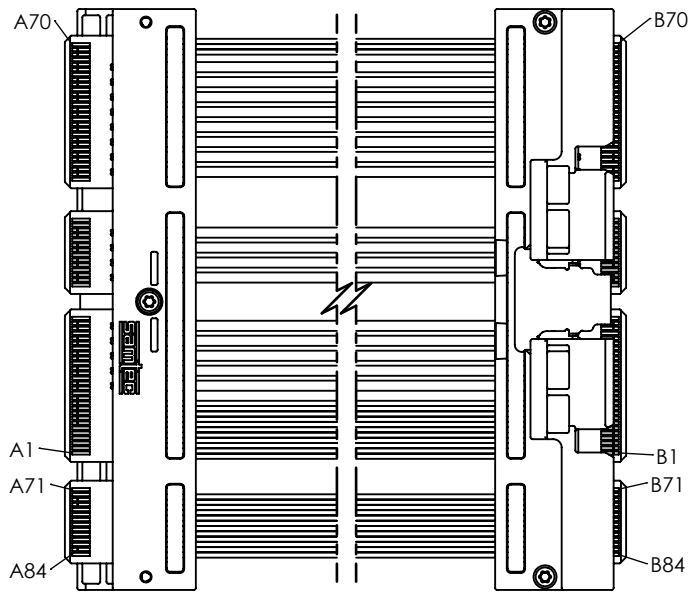
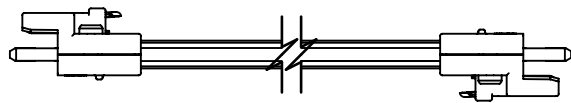
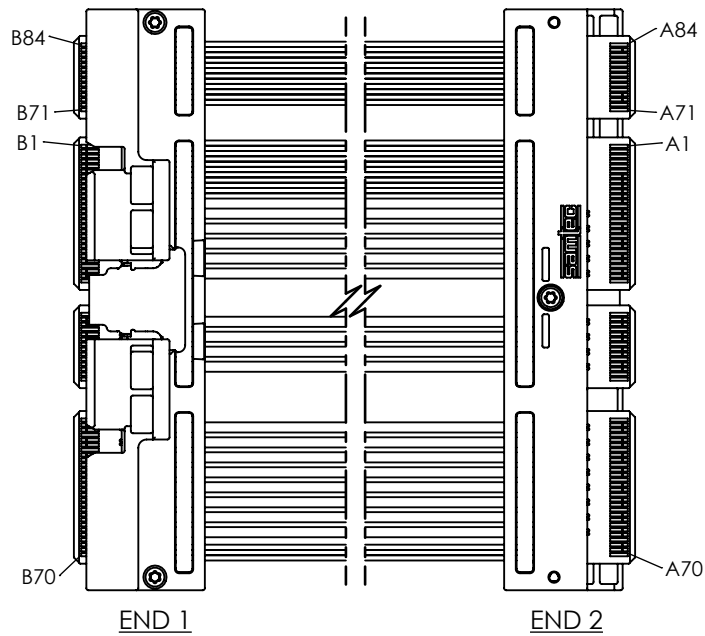


FIG 6
GC6-084-XX.X-SU-SD-1-1 SHOWN
(DIFFERENT AS SHOWN, OTHERWISE SAME AS FIG 1)

PROPRIETARY NOTE
 THIS DOCUMENT CONTAINS CONFIDENTIAL AND PROPRIETARY INFORMATION AND ALL DESIGN, MANUFACTURING, REPRODUCTION, USE, PATENT RIGHTS AND SALES RIGHTS ARE EXPRESSLY RESERVED BY SAMTEC, INC. THIS DOCUMENT SHALL NOT BE DISCLOSED, IN WHOLE OR PART, TO ANY UNAUTHORIZED PERSON OR ENTITY NOR REPRODUCED, TRANSFERRED OR INCORPORATED IN ANY OTHER PROJECT IN ANY MANNER WITHOUT THE EXPRESS WRITTEN CONSENT OF SAMTEC, INC.



520 PARK EAST BLVD, NEW ALBANY, IN 47150
 PHONE: 812-944-6733 FAX: 812-948-5047
 e-Mail info@SAMTEC.com code 55322

DO NOT SCALE DRAWING

SHEET SCALE: 1:2

DESCRIPTION:
 GENERATE CABLE 0.6mm

DWG. NO.
GC6-XXX-XX.X-XX-XX-X-X

BY: JERRY SU 12/29/2018 SHEET 4 OF 5

TABLE 5 (FOR 1C, 2C & 4C)

J1	NAME	J2	J1	NAME	J2
B1	+12 V	B1	A1	GND	A1
B2	+12 V	B2	A2	GND	A2
B3	+12 V	B3	A3	GND	A3
B4	+12 V	B4	A4	GND	A4
B5	+12 V	B5	A5	GND	A5
B6	+12 V	B6	A6	GND	A6
B7	Wake#/MFG	B7	A7	MGMT_CLK	A7
B8	PWR_BREAK	B8	A8	MGMT_DAT	A8
B9	DualPortEn#	B9	A9	MGMT_RST#	A9
B10	PERST0#	B10	A10	LED#/Activity	A10
B11	3.3VAux	B11	A11	PERST1#/CLKREQ	A11
B12	PWRDIS	B12	A12	PRSNT_1C#	A12
B13	GND	B13	A13	GND	A13
B14	REFCLKn0	A14	A14	REFCLKn1	B14
B15	REFCLKp0	A15	A15	REFCLKp1	B15
B16	GND	A16	A16	GND	B16
B17	TX0n	A17	A17	RX0n	B17
B18	TX0p	A18	A18	RX0p	B18
B19	GND	A19	A19	GND	B19
B20	TX1n	A20	A20	RX1n	B20
B21	TX1p	A21	A21	RX1p	B21
B22	GND	A22	A22	GND	B22
B23	TX2n	A23	A23	RX2n	B23
B24	TX2p	A24	A24	RX2p	B24
B25	GND	A25	A25	GND	B25
B26	TX3n	A26	A26	RX3n	B26
B27	TX3p	A27	A27	RX3p	B27
B28	GND	A28	A28	GND	B28
END OF 1C CONNECTOR (KEY FOR 2C, 4C)					
B29	GND	A29	A29	GND	B29
B30	TX4n	A30	A30	RX4n	B30
B31	TX4p	A31	A31	RX4p	B31
B32	GND	A32	A32	GND	B32
B33	TX5n	A33	A33	RX5n	B33
B34	TX5p	A34	A34	RX5p	B34
B35	GND	A35	A35	GND	B35
B36	TX6n	A36	A36	RX6n	B36
B37	TX6p	A37	A37	RX6p	B37
B38	GND	A38	A38	GND	B38
B39	TX7n	A39	A39	RX7n	B39
B40	TX7p	A40	A40	RX7p	B40
B41	GND	A41	A41	GND	B41
B42	PRSNT_T#2C	B42	A42	Res	A42
END OF 2C CONNECTOR (KEY FOR 4C, 4C+)					

TABLE 6 (CONT)

J1	NAME	J2	J1	NAME	J2
B43	GND	A43	A43	GND	B43
B44	TX8n	A44	A44	RX8n	B44
B45	TX8p	A45	A45	RX8p	B45
B46	GND	A46	A46	GND	B46
B47	TX9n	A47	A47	RX9n	B47
B48	TX9p	A48	A48	RX9p	B48
B49	GND	A49	A49	GND	B49
B50	TX10n	A50	A50	RX10n	B50
B51	TX10p	A51	A51	RX10p	B51
B52	GND	A52	A52	GND	B52
B53	TX11n	A53	A53	RX11n	B53
B54	TX11p	A54	A54	RX11p	B54
B55	GND	A55	A55	GND	B55
B56	TX12n	A56	A56	RX12n	B56
B57	TX12p	A57	A57	R12p	B57
B58	GND	A58	A58	GND	B58
B59	TX13n	A59	A59	RX13n	B59
B60	TX13p	A60	A60	RX13p	B60
B61	GND	A61	A61	GND	B61
B62	TX14n	A62	A62	RX14n	B62
B63	TX14p	A63	A63	RX14p	B63
B64	GND	A64	A64	GND	B64
B65	TX15n	A65	A65	RX15n	B65
B66	TX15p	A66	A66	RX15p	B66
B67	GND	A67	A67	GND	B67
B68	Res	B68	A68	Res	A68
B69	Res	B69	A69	Res	A69
B70	PRSNT_T#4C	B70	A70	Res	A70
END OF 4C CONNECTOR (KEY FOR 4C+)					
B71	NIC_PWR_GOOD	A71	A71	PERST2#	B71
B72	MAIN_PWR_EN	A72	A72	PERST3#	B72
B73	LD#	A73	A73	WAKE#	B73
B74	DATA_IN	A74	A74	RBT_ARB_IN	B74
B75	DATA_OUT	A75	A75	RBT_ARB_OUT	B75
B76	CLK	A76	A76	SLOT_ID1	B76
B77	SLOT_ID0	A77	A77	RBT_TX_EN	B77
B78	RBT_RXD1	A78	A78	RBT_TXD1	B78
B79	RBT_RXD0	A79	A79	RBT_TXD0	B79
B80	GND	A80	A80	GND	B80
B81	REFCLKn2	A81	A81	REFCLKn3	B81
B82	REFCLKp2	A82	A82	REFCLKp3	B82
B83	GND	A83	A83	GND	B83
B84	RBT_CRS_DV	A84	A84	RBT_CLK_IN	B84
END OF 4C+ CONNECTOR					

F:\DWG\MISC\MKTG\GC6-XXX-XX.X-XX-XX-X-X-MKT.SLDDRW

PROPRIETARY NOTE
 THIS DOCUMENT CONTAINS CONFIDENTIAL AND PROPRIETARY INFORMATION AND ALL DESIGN, MANUFACTURING, REPRODUCTION, USE, PATENT RIGHTS AND SALES RIGHTS ARE EXPRESSLY RESERVED BY SAMTEC, INC. THIS DOCUMENT SHALL NOT BE DISCLOSED, IN WHOLE OR PART, TO ANY UNAUTHORIZED PERSON OR ENTITY NOR REPRODUCED, TRANSFERRED OR INCORPORATED IN ANY OTHER PROJECT IN ANY MANNER WITHOUT THE EXPRESS WRITTEN CONSENT OF SAMTEC, INC.



DO NOT SCALE DRAWING
 SHEET SCALE: 1:2

DESCRIPTION:
 GENERATE CABLE 0.6mm
 DWG. NO.
GC6-XXX-XX.X-XX-XX-X-X
 BY: JERRY SU 12/29/2018 SHEET 5 OF 5