

DO NOT SCALE FROM THIS PRINT

DESIGNED AND DIMENSIONED IN INCHES[MILLIMETERS]
ALL DIMENSIONS REFERENCE EXCEPT AS SHOWN

GPPC-PX-1-2-EP-ST-CMM-X

TYPE
-P: PC

SERIES
-C: CABLE BLOCK MATE

GENDER
-PF: PLUG FULL DETENT
-PS: PLUG SMOOTH BORE

No OF ROWS
-1

No OF POSITIONS (PER ROW)
-2

PACKAGING
-BLANK: INDIVIDUALLY BAGGED
-B: BULK PACKAGE

TERMINATION
-CMM: COMPRESSION MOUNT

ORIENTATION
-ST: STRAIGHT

FINISH
-EP: 50µ" HEAVY GOLD CENTER CONTACT, PASSIVATED OUTER BODY

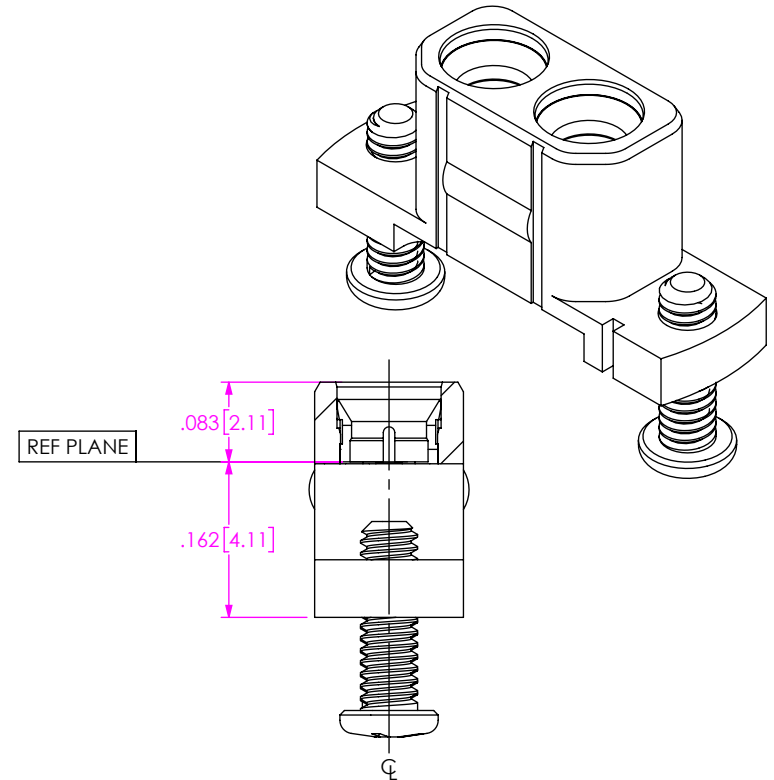
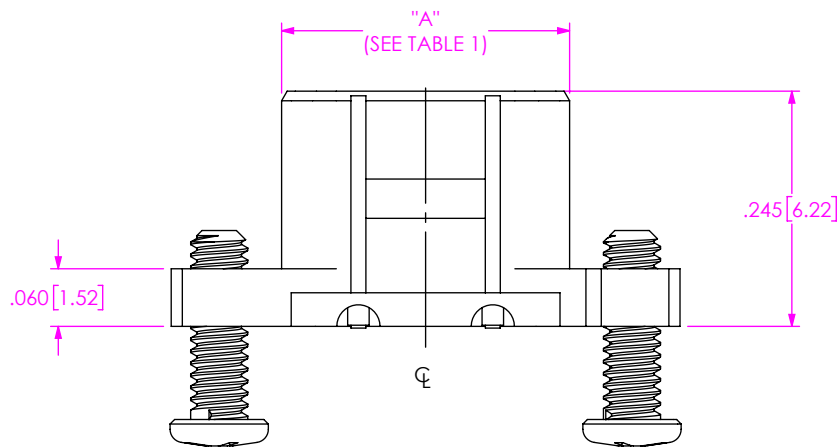
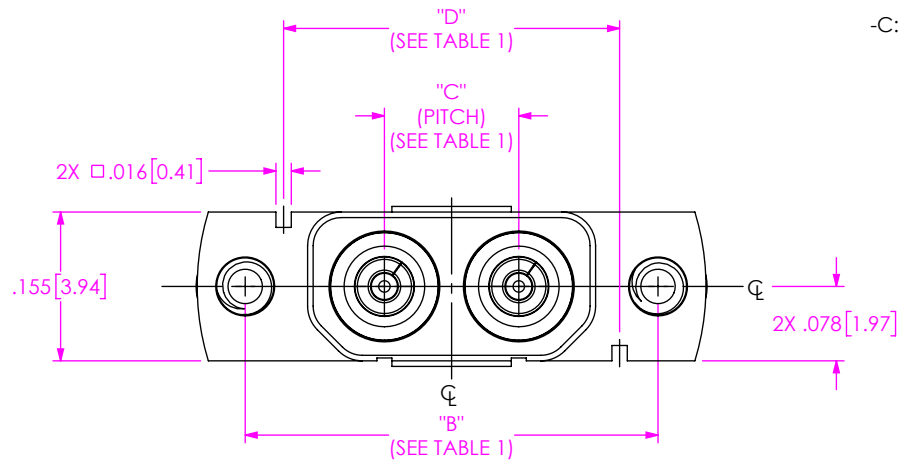


FIG 1
(GPPC-PF-1-2-EP-ST-CMM-X SHOWN)

- NOTES:
- MATERIAL:
BEAD: ULTEM 1000.
BODY: STAINLESS STEEL.
BUSHING, CONTACT: BERYLLIUM COPPER.
 - FINISH:
BODY: PASSIVATE
BUSHING, CONTACT: GOLD OVER NICKEL PLATE,
50-100 µIN MIN GOLD OVER 50-100 µIN MIN NICKEL.

| No OF POSITIONS | "A" | "B" | "C" | "D" |
|-----------------|--------------|---------------|--------------|--------------|
| -02 | 0.300 [7.62] | 0.430 [10.92] | 0.140 [3.56] | 0.350 [8.89] |

PROPRIETARY NOTE
THIS DOCUMENT CONTAINS CONFIDENTIAL AND PROPRIETARY INFORMATION AND ALL DESIGN, MANUFACTURING, REPRODUCTION, USE, PATENT RIGHTS AND SALES RIGHTS ARE EXPRESSLY RESERVED BY SAMTEC, INC. THIS DOCUMENT SHALL NOT BE DISCLOSED, IN WHOLE OR PART, TO ANY UNAUTHORIZED PERSON OR ENTITY NOR REPRODUCED, TRANSFERRED OR INCORPORATED IN ANY OTHER PROJECT IN ANY MANNER WITHOUT THE EXPRESS WRITTEN CONSENT OF SAMTEC, INC.

DO NOT SCALE DRAWING
SHEET SCALE: 5:1

MATERIAL:
BODY: STAINLESS STEEL
BUSHING, CONTACT: BERYLLIUM COPPER
BEAD: ULTEM 1000

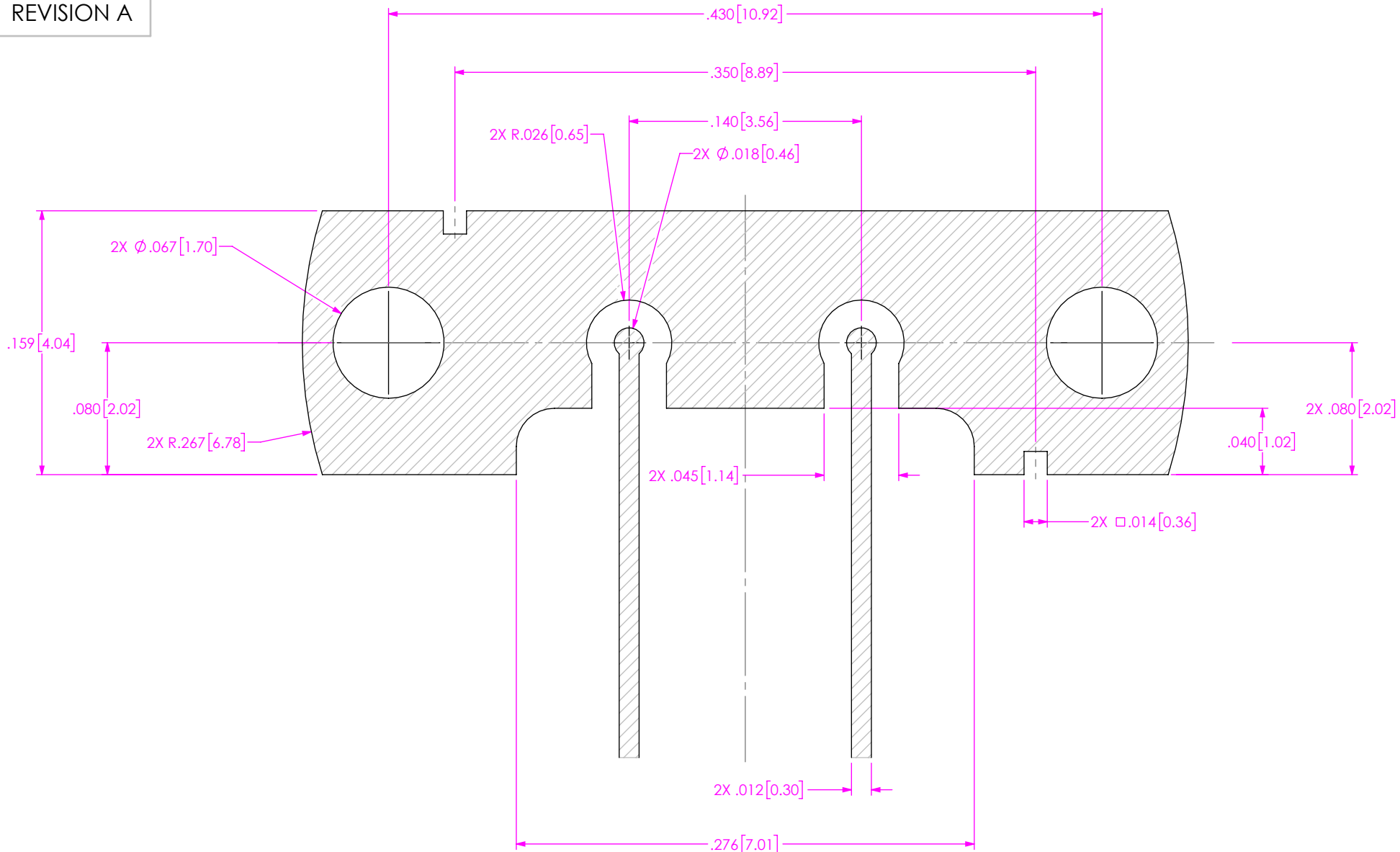


520 PARK EAST BLVD, NEW ALBANY, IN 47150
PHONE: 812-944-6733 FAX: 812-948-5047
e-Mail info@SAMTEC.com code 55322


DESCRIPTION:
RECEPTACLE, SMPM, COMPRESSION MOUNT

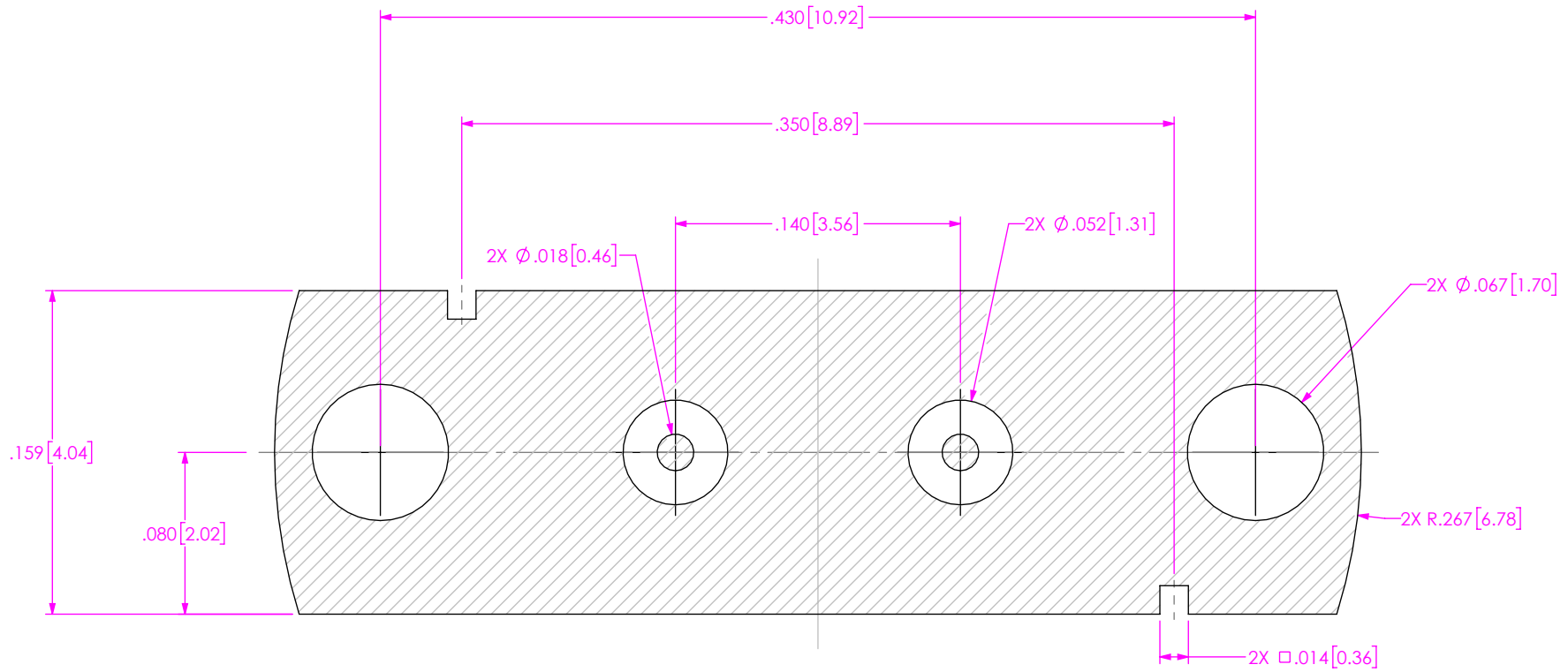
DWG. NO.
GPPC-PX-1-2-EP-ST-CMM-X

BY: MATT M. 01/24/2022 SHEET 1 OF 3



RECOMMENDED FOOTPRINT
(MICROSTRIP SHOWN)

| | | |
|--|---|--|
| <p>DO NOT SCALE DRAWING</p> <p>SHEET SCALE: 12:1</p> | <p>PROPRIETARY NOTE</p> <p>THIS DOCUMENT CONTAINS CONFIDENTIAL AND PROPRIETARY INFORMATION AND ALL DESIGN, MANUFACTURING, REPRODUCTION, USE, PATENT RIGHTS AND SALES RIGHTS ARE EXPRESSLY RESERVED BY SAMTEC, INC. THIS DOCUMENT SHALL NOT BE DISCLOSED, IN WHOLE OR PART, TO ANY UNAUTHORIZED PERSON OR ENTITY NOR REPRODUCED, TRANSFERRED OR INCORPORATED IN ANY OTHER PROJECT IN ANY MANNER WITHOUT THE EXPRESS WRITTEN CONSENT OF SAMTEC, INC.</p> |  <p>520 PARK EAST BLVD., NEW ALBANY, IN 47150 PHONE: 812-944-6733 FAX: 812-948-5047 e-Mail info@SAMTEC.com code 55322</p> |
| | <p>DESCRIPTION: RECEPTACLE, SMPM, COMPRESSION MOUNT</p> | |
| | <p>DWG. NO. GPPC-PX-1-2-EP-ST-CMM-X</p> | |
| <p>BY: MATT M. 01/24/2022 SHEET 2 OF 3</p> | | |



RECOMMENDED FOOTPRINT
(STRIPLINE SHOWN)

| | | |
|--|---|--|
| <p>DO NOT SCALE DRAWING</p> <p>SHEET SCALE: 12:1</p> | <p>PROPRIETARY NOTE</p> <p>THIS DOCUMENT CONTAINS CONFIDENTIAL AND PROPRIETARY INFORMATION AND ALL DESIGN, MANUFACTURING, REPRODUCTION, USE, PATENT RIGHTS AND SALES RIGHTS ARE EXPRESSLY RESERVED BY SAMTEC, INC. THIS DOCUMENT SHALL NOT BE DISCLOSED, IN WHOLE OR PART, TO ANY UNAUTHORIZED PERSON OR ENTITY NOR REPRODUCED, TRANSFERRED OR INCORPORATED IN ANY OTHER PROJECT IN ANY MANNER WITHOUT THE EXPRESS WRITTEN CONSENT OF SAMTEC, INC.</p> | <p>samtec</p> <p>520 PARK EAST BLVD, NEW ALBANY, IN 47150 PHONE: 812-944-6733 FAX: 812-948-5047 e-Mail info@SAMTEC.com code 55322</p> |
| | <p>DESCRIPTION: RECEPTACLE, SMPM, COMPRESSION MOUNT</p> | |
| | <p>DWG. NO. GPPC-PX-1-2-EP-ST-CMM-X</p> | |
| <p>BY: MATT M. 01/24/2022 SHEET 3 OF 3</p> | | |