

DO NOT
SCALE FROM
THIS PRINT

DESIGNED & DIMENSIONED
IN MILLIMETERS

HPTS-3-X-D-VT

XCede POWER
MODULE

USE WITH XCede
SIGNAL MODULE
-3: 3 PAIR

ORIENTATION
-VT: VERTICAL

DUAL ROW

PLATING

-S: STD GOLD ON CONTACTS
MATTE TIN ON TAILS

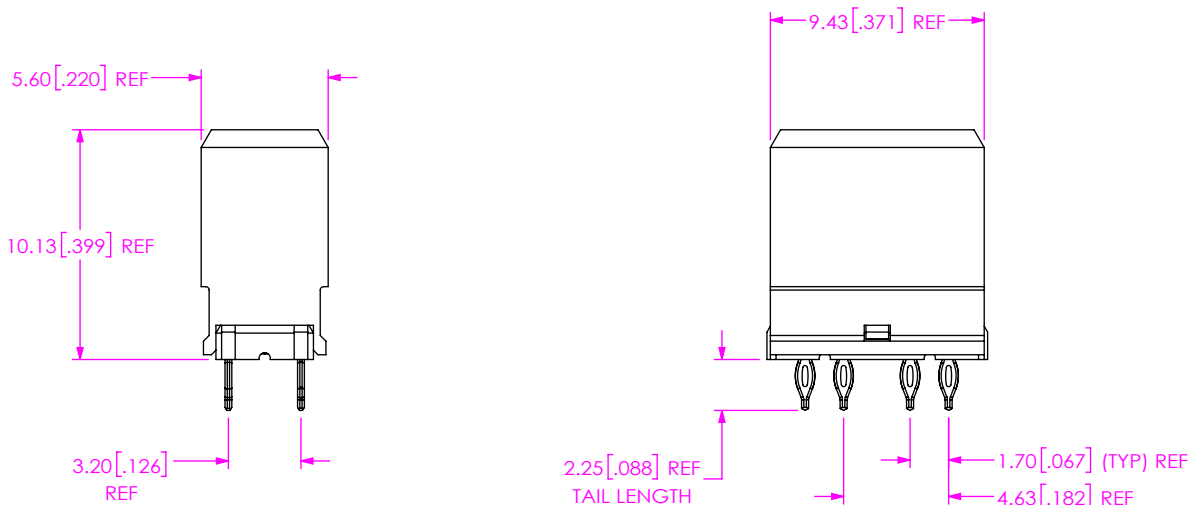
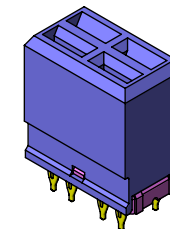
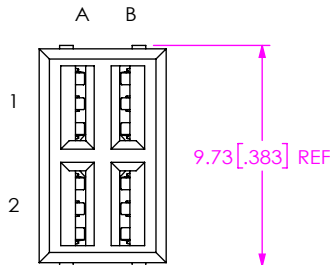



FIG 1
HPTS-3-X-D-VT SHOWN

- NOTES:
1. TRAYS TO BE STANDARD PACKAGING.
 2. CONTACT SAMTEC FOR CONNECTOR PRESS FIT INSTRUCTIONS AND REQUIRED FIXTURES.

<p>UNLESS OTHERWISE SPECIFIED, DIMENSIONS ARE IN MILLIMETERS.</p>	<p>PROPRIETARY NOTE</p> <p>THIS DOCUMENT CONTAINS CONFIDENTIAL AND PROPRIETARY INFORMATION AND ALL DESIGN, MANUFACTURING, REPRODUCTION, USE, PATENT RIGHTS AND SALES RIGHTS ARE EXPRESSLY RESERVED BY SAMTEC, INC. THIS DOCUMENT SHALL NOT BE DISCLOSED, IN WHOLE OR PART, TO ANY UNAUTHORIZED PERSON OR ENTITY NOR REPRODUCED, TRANSFERRED OR INCORPORATED IN ANY OTHER PROJECT IN ANY MANNER WITHOUT THE EXPRESS WRITTEN CONSENT OF SAMTEC, INC.</p>	 520 PARK EAST BLVD., NEW ALBANY, IN 47150 PHONE: 812-944-6733 FAX: 812-948-5047 e-Mail info@SAMTEC.com code 55322