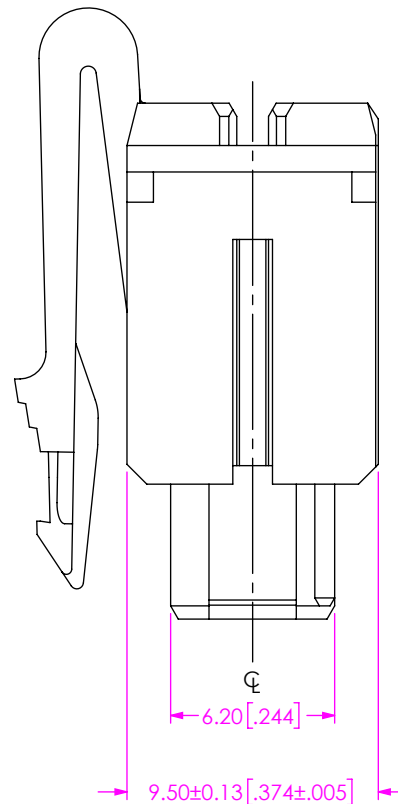
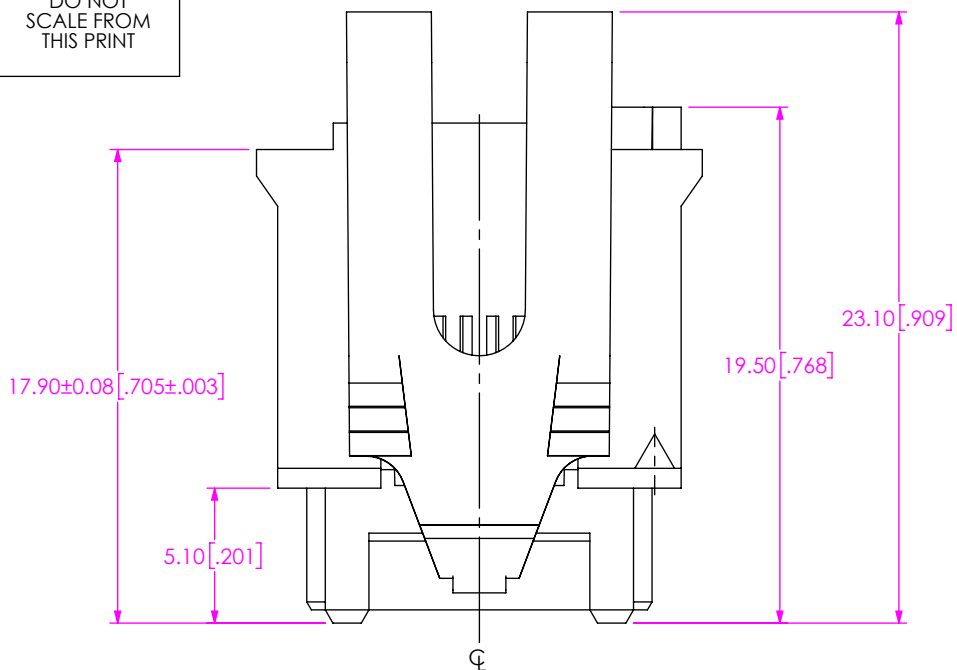


DESIGNED AND DIMENSIONED IN MILLIMETERS[INCHES]
EXCEPT WHERE NOTED, ALL DIMENSIONS ARE REFERENCE

DO NOT
SCALE FROM
THIS PRINT



IMPC-XX-XX
NO. OF POSITIONS
-02, -03, -04, -05,
-06, -07, -08, -09,
-10
LATCH OPTIONS
(LATCHING REQUIRED,
MUST CHOOSE -P, -M OR P1)
-P: PLASTIC TOP LATCH
-M: METAL SIDE LATCHES
-P1: PANNEL MOUNT

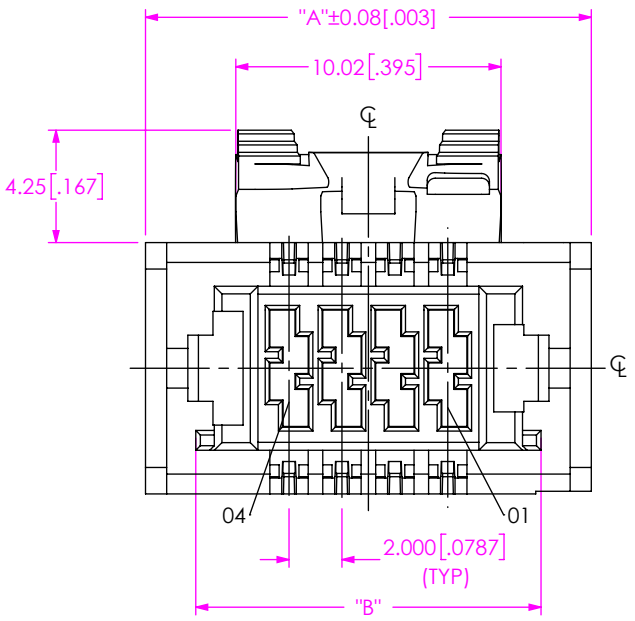
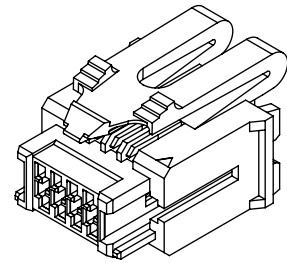
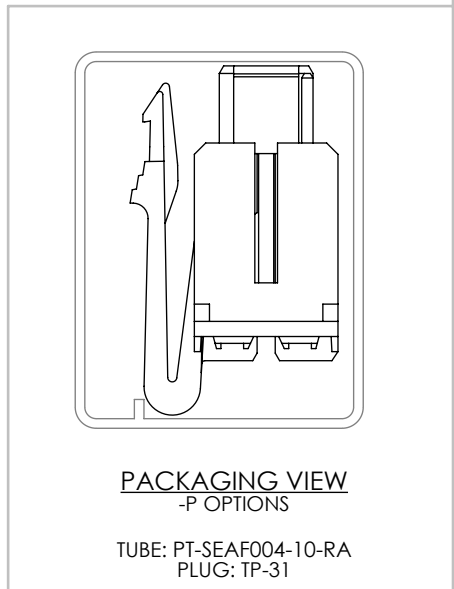


TABLE 1

No OF POSITIONS	"A"	"B"
-02	12.85 [.506]	9.05 [.356]
-03	14.85 [.585]	11.05 [.435]
-04	16.85 [.663]	13.05 [.514]
-05	18.85 [.742]	15.05 [.593]
-06	20.85 [.821]	17.05 [.671]
-07	22.85 [.900]	19.05 [.750]
-08	24.85 [.978]	21.05 [.829]
-09	26.85 [1.057]	23.05 [.907]
-10	28.85 [1.136]	25.05 [.986]

FIG 1
IMPC-04-P SHOWN



- NOTES:
1. PARTS TO BE PACKAGED IN TUBES FOR -M & -P LATCH OPTIONS.
 2. PARTS TO BE PACKAGED IN TRAYS FOR -P1 LATCH OPTON.

PROPRIETARY NOTE
THIS DOCUMENT CONTAINS CONFIDENTIAL AND PROPRIETARY INFORMATION AND ALL DESIGN, MANUFACTURING, REPRODUCTION, USE, PATENT RIGHTS AND SALES RIGHTS ARE EXPRESSLY RESERVED BY SAMTEC, INC. THIS DOCUMENT SHALL NOT BE DISCLOSED, IN WHOLE OR PART, TO ANY UNAUTHORIZED PERSON OR ENTITY NOR REPRODUCED, TRANSFERRED OR INCORPORATED IN ANY OTHER PROJECT IN ANY MANNER WITHOUT THE EXPRESS WRITTEN CONSENT OF SAMTEC, INC.

DO NOT SCALE DRAWING
SHEET SCALE: 2:1

MATERIAL:
INSULATOR: LCP, COLOR: BLACK
LATCHES STAMPING: STAINLESS STEEL
LATCHES INSERT MOLDING: NYLON, COLOR: BLACK
NUT: ZINC ALLOY

DESCRIPTION:
UMPC WIRE INSULATOR & LATCH ASM

DWG. NO.
IMPC-XX-XX

BY: ETHAN C 07/19/2019 SHEET 1 OF 3

520 PARK EAST BLVD, NEW ALBANY, IN 47150
PHONE: 812-944-6733 FAX: 812-948-5047
e-Mail: info@SAMTEC.com code: 55322

F:\DWG\MISC\MKTG\IMPC-XX-XX-MKT.SLDDRW

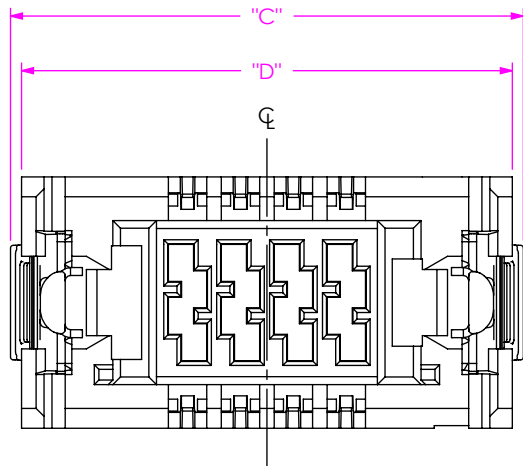
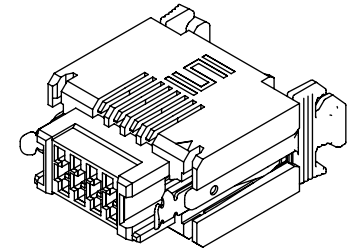
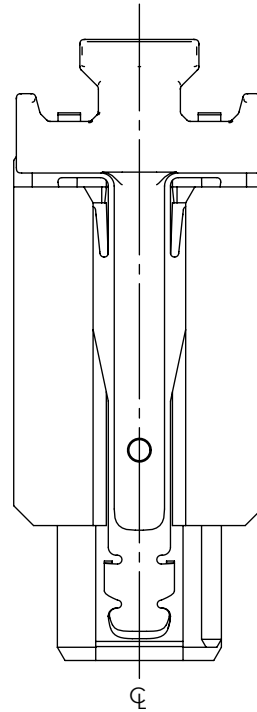
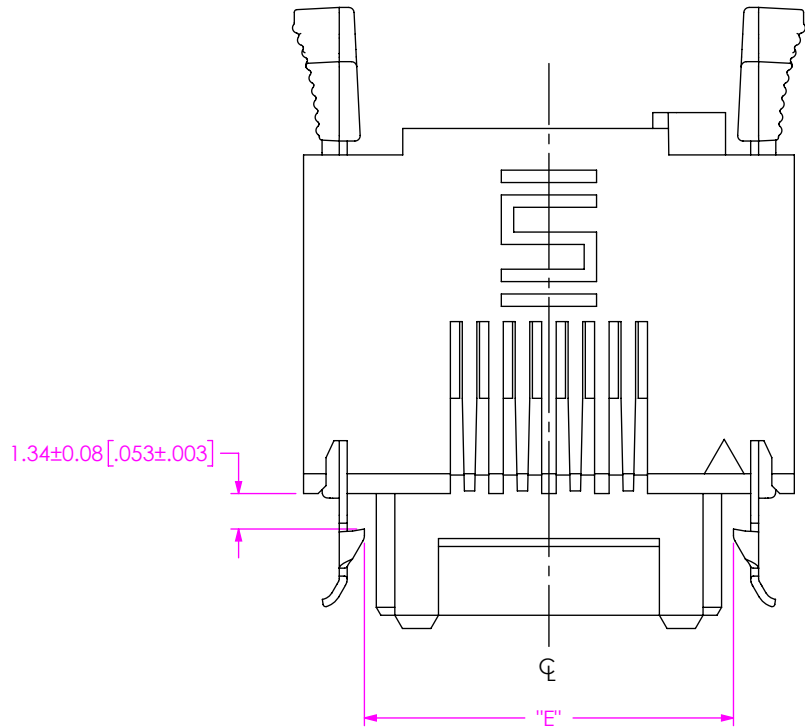


TABLE 2

No OF POSITIONS	"C"	"D"	"E"
-02	15.31 [.603]	14.55 [.573]	9.95 [.392]
-03	17.31 [.681]	16.55 [.652]	11.95 [.470]
-04	19.31 [.760]	18.55 [.730]	13.95 [.549]
-05	21.31 [.839]	20.55 [.809]	15.95 [.628]
-06	23.31 [.918]	22.55 [.888]	17.95 [.707]
-07	25.31 [.996]	24.55 [.967]	19.95 [.785]
-08	27.31 [1.075]	26.55 [1.045]	21.95 [.864]
-09	29.31 [1.154]	28.55 [1.124]	23.95 [.943]
-10	31.31 [1.233]	30.55 [1.203]	25.95 [1.022]

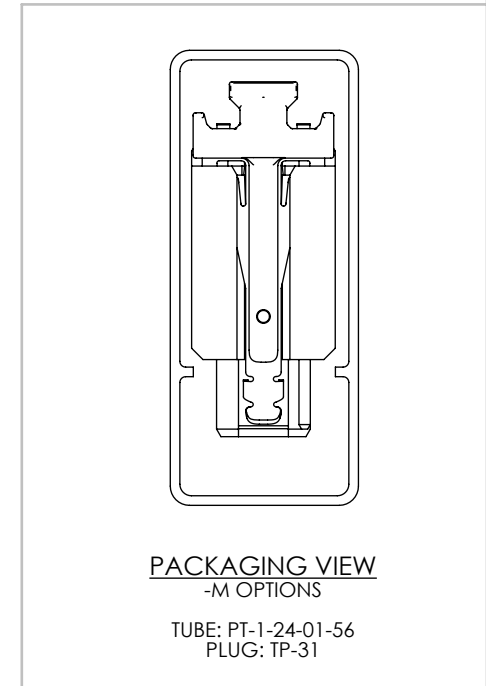


FIG 2
MPC-04-M SHOWN
(DIFFERENT AS SHOWN, OTHERWISE SAME AS FIG 1)

PROPRIETARY NOTE

THIS DOCUMENT CONTAINS CONFIDENTIAL AND PROPRIETARY INFORMATION AND ALL DESIGN, MANUFACTURING, REPRODUCTION, USE, PATENT RIGHTS AND SALES RIGHTS ARE EXPRESSLY RESERVED BY SAMTEC, INC. THIS DOCUMENT SHALL NOT BE DISCLOSED, IN WHOLE OR PART, TO ANY UNAUTHORIZED PERSON OR ENTITY NOR REPRODUCED, TRANSFERRED OR INCORPORATED IN ANY OTHER PROJECT IN ANY MANNER WITHOUT THE EXPRESS WRITTEN CONSENT OF SAMTEC, INC.

SHEET SCALE: 2:1



520 PARK EAST BLVD., NEW ALBANY, IN 47150
PHONE: 812-944-6733 FAX: 812-948-5047
e-Mail: info@SAMTEC.com code: 55322

DESCRIPTION:
UMPC WIRE INSULATOR & LATCH ASM

DWG. NO.
IMPC-XX-XX

BY: ETHAN C 07/19/2019 SHEET 2 OF 3

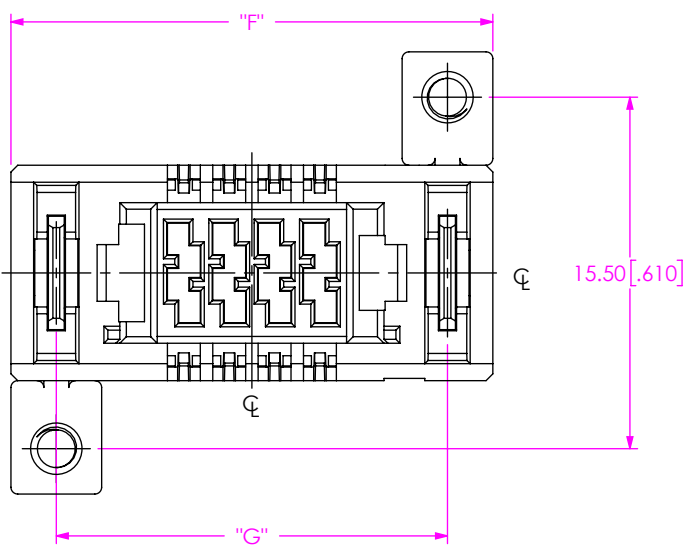
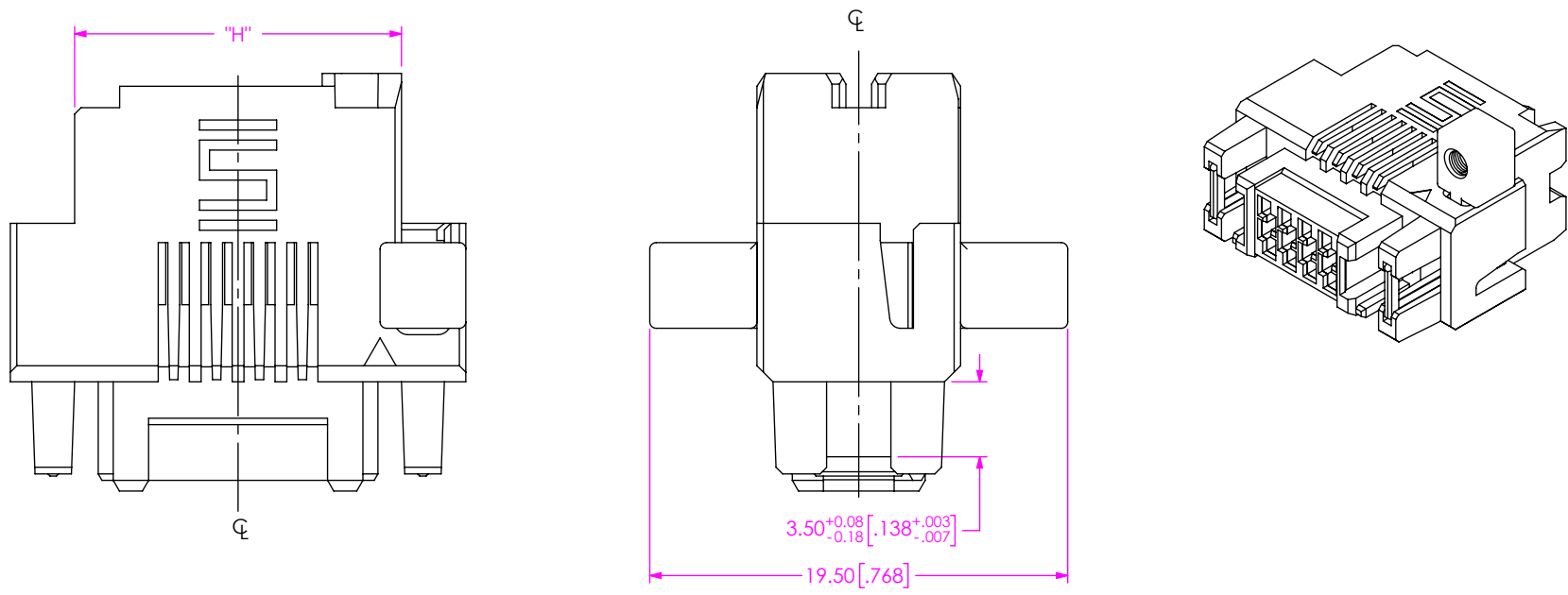


FIG 3
IMPC-04-PT SHOWN

TABLE 3

No OF POSITIONS	"F"	"G"	"H"
-02	17.25 [.679]	13.25 [.522]	11.25 [.443]
-03	19.25 [.758]	15.25 [.600]	13.25 [.522]
-04	21.25 [.837]	17.25 [.679]	15.25 [.600]
-05	23.25 [.915]	19.25 [.758]	17.25 [.679]
-06	25.25 [.994]	21.25 [.837]	19.25 [.758]
-07	27.25 [1.073]	23.25 [.915]	21.25 [.837]
-08	29.25 [1.152]	25.25 [.994]	23.25 [.915]
-09	31.25 [1.230]	27.25 [1.073]	25.25 [.994]
-10	33.25 [1.309]	29.25 [1.152]	27.25 [1.073]

PROPRIETARY NOTE
 THIS DOCUMENT CONTAINS CONFIDENTIAL AND PROPRIETARY INFORMATION AND ALL DESIGN, MANUFACTURING, REPRODUCTION, USE, PATENT RIGHTS AND SALES RIGHTS ARE EXPRESSLY RESERVED BY SAMTEC, INC. THIS DOCUMENT SHALL NOT BE DISCLOSED, IN WHOLE OR PART, TO ANY UNAUTHORIZED PERSON OR ENTITY NOR REPRODUCED, TRANSFERRED OR INCORPORATED IN ANY OTHER PROJECT IN ANY MANNER WITHOUT THE EXPRESS WRITTEN CONSENT OF SAMTEC, INC.

samtec
 520 PARK EAST BLVD, NEW ALBANY, IN 47150
 PHONE: 812-944-6733 FAX: 812-948-5047
 e-Mail: info@SAMTEC.com code: 55322

SHEET SCALE: 2:1

DESCRIPTION:
UMPC WIRE INSULATOR & LATCH ASM

DWG. NO.
IMPC-XX-XX

BY: ETHAN C 07/19/2019 SHEET 3 OF 3