

DO NOT SCALE FROM THIS PRINT

DESIGNED & DIMENSIONED IN METRIC [INCHES]

IMSC5-XX-XX-XX-L

POWER POSITIONS  
\*-01, -02, \*-03, \*-04

SIGNAL POSITIONS  
-16: (4 x 4)  
-24: (4 x 6)

POWER POSITIONS  
\*-00, \*-01, -02

\* = NOT TOOLED

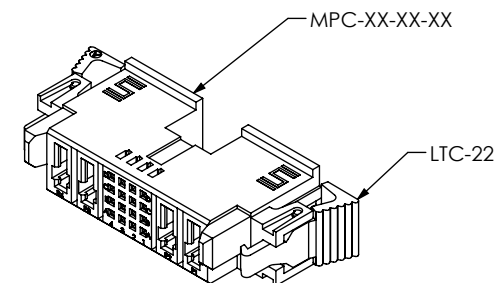
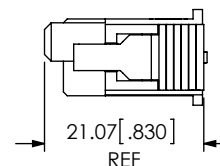
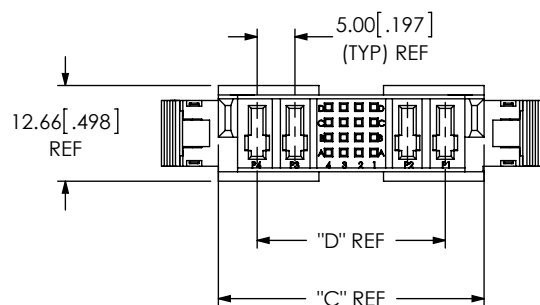
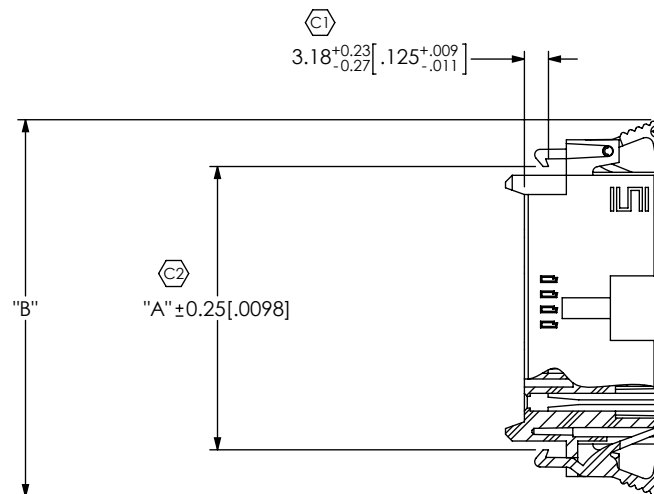


FIG 1  
IMSC5-02-T6-02-L SHOWN

TABLE 1								
PART NUMBER	"A"		"B"		"C"		"D"	
IMSC5-02-16-02	37.69	[1.48]	49.98	[1.97]	35.15	[1.38]	24.89	[0.98]
IMSC5-02-24-02	41.69	[1.64]	53.98	[2.13]	39.15	[1.54]	28.89	[1.14]

NOTES:

1. Ⓢ REPRESENTS A CRITICAL DIMENSION.
2. MINIMUM LATCH RETENTION: 4.4 N [1 LB].
3. PARTS TO BE BULK PACKAGED.

UNLESS OTHERWISE SPECIFIED, DIMENSIONS ARE IN MILLIMETERS. TOLERANCES ARE:  
DECIMALS            ANGLES  
X.X: ±0.1            2°  
X.XX: ±0.13  
X.XXX: ±0.051

PROPRIETARY NOTE

THIS DOCUMENT CONTAINS INFORMATION CONFIDENTIAL AND PROPRIETARY TO SAMTEC, INC. AND SHALL NOT BE REPRODUCED OR TRANSFERRED TO OTHER DOCUMENTS OR DISCLOSED TO OTHERS OR USED FOR ANY PURPOSE OTHER THAN THAT WHICH IT WAS OBTAINED WITHOUT THE EXPRESSED WRITTEN CONSENT OF SAMTEC, INC.



520 PARK EAST BLVD, NEW ALBANY, IN 47150  
PHONE: 812-944-6733    FAX: 812-948-5047  
e-Mail: info@SAMTEC.com    code 55322

DO NOT SCALE DRAWING            SHEET SCALE: 1:1

MATERIAL:  
INSULATOR: LCP, COLOR: BLACK  
LATCH: NYLON BLACK

DESCRIPTION: MPC POWER COMBO W/ LATCH

DWG. NO. IMSC5-XX-XX-XX-L

BY: KYLE B            1/29/2014            SHEET 1 OF 1