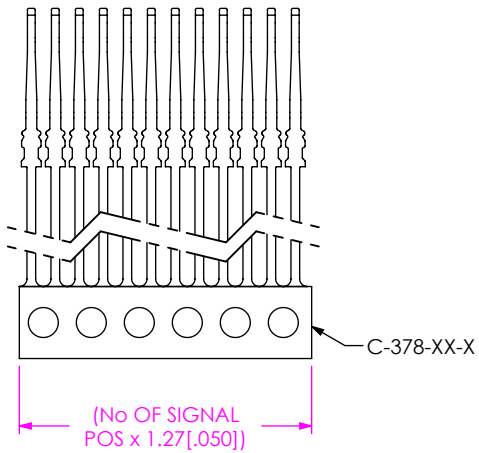


**PROPRIETARY NOTE**  
THIS DOCUMENT CONTAINS CONFIDENTIAL AND PROPRIETARY INFORMATION AND ALL DESIGN, MANUFACTURING, REPRODUCTION, USE, PATENT RIGHTS AND SALES RIGHTS ARE EXPRESSLY RESERVED BY SAMTEC, INC. THIS DOCUMENT SHALL NOT BE DISCLOSED, IN WHOLE OR PART, TO ANY UNAUTHORIZED PERSON OR ENTITY NOR REPRODUCED, TRANSFERRED OR INCORPORATED IN ANY OTHER PROJECT IN ANY MANNER WITHOUT THE EXPRESS WRITTEN CONSENT OF SAMTEC, INC.

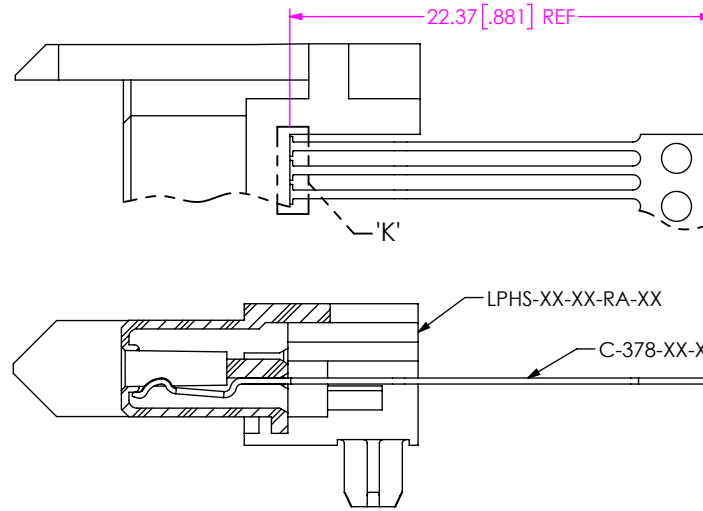
DO NOT SCALE DRAWING  
SHEET SCALE: 2:1

**samtec**  
520 PARK EAST BLVD, NEW ALBANY, IN 47150  
PHONE: 812-944-6733 FAX: 812-948-5047  
e-Mail info@SAMTEC.com code 55322

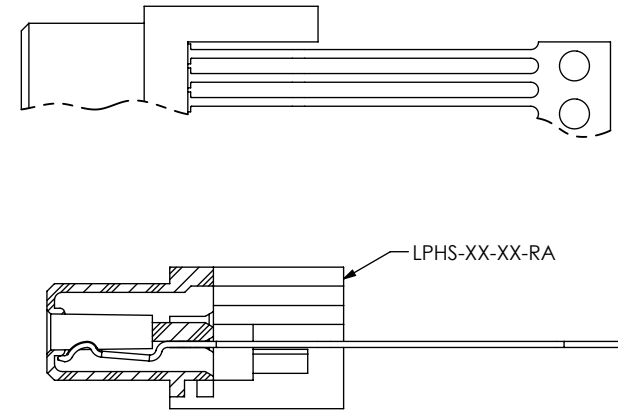
DESCRIPTION:	LPHS-RA SOCKETASSEMBLY
DWG. NO.	LPHS-XX-XX-X-RTX-XX
BY: ROY LUO	12/13/2011 SHEET 2 OF 7



**IN-PROCESS 1**  
CUT COMB & REMOVE TIE BARS FOR C-378-XX-X

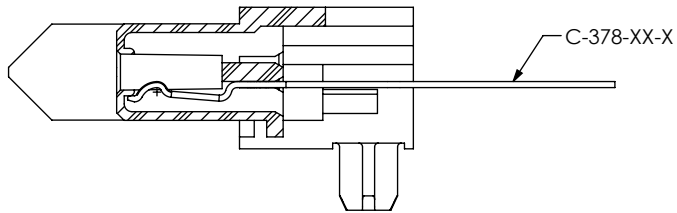
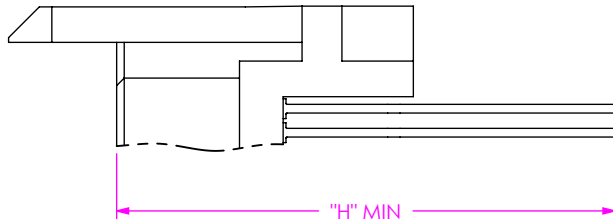


**GP OPTION**

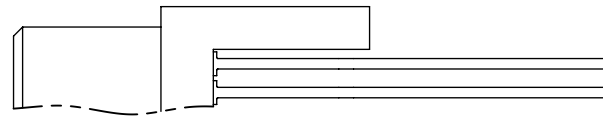


**NO GP OPTION**  
(DIFFERENT AS SHOWN, OTHERWISE SAME AS GP OPTION)

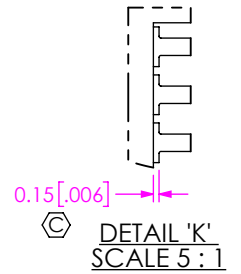
**IN-PROCESS 2**  
FILL SIGNAL BOTTOM ROW



**GP OPTION**



**NO GP OPTION**  
(DIFFERENT AS SHOWN, OTHERWISE SAME AS GP OPTION)



**IN-PROCESS 3**  
CUT OFF CARRIER

TABLE 5	
TAIL	"H"
-RT1	19.36 [.762]
-RT2	20.06 [.790]

**PROPRIETARY NOTE**  
THIS DOCUMENT CONTAINS CONFIDENTIAL AND PROPRIETARY INFORMATION AND ALL DESIGN, MANUFACTURING, REPRODUCTION, USE, PATENT RIGHTS AND SALES RIGHTS ARE EXPRESSLY RESERVED BY SAMTEC, INC. THIS DOCUMENT SHALL NOT BE DISCLOSED, IN WHOLE OR PART, TO ANY UNAUTHORIZED PERSON OR ENTITY NOR REPRODUCED, TRANSFERRED OR INCORPORATED IN ANY OTHER PROJECT IN ANY MANNER WITHOUT THE EXPRESS WRITTEN CONSENT OF SAMTEC, INC.

DO NOT SCALE DRAWING

SHEET SCALE: 2.5:1

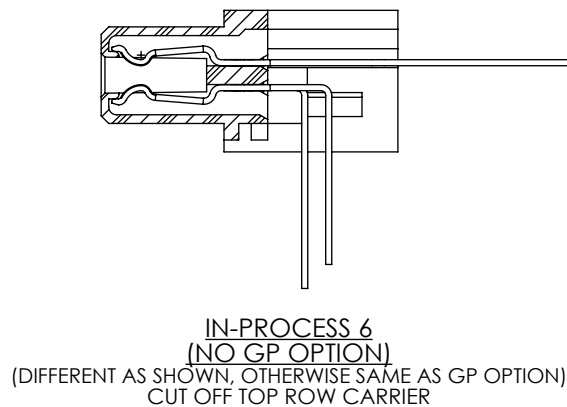
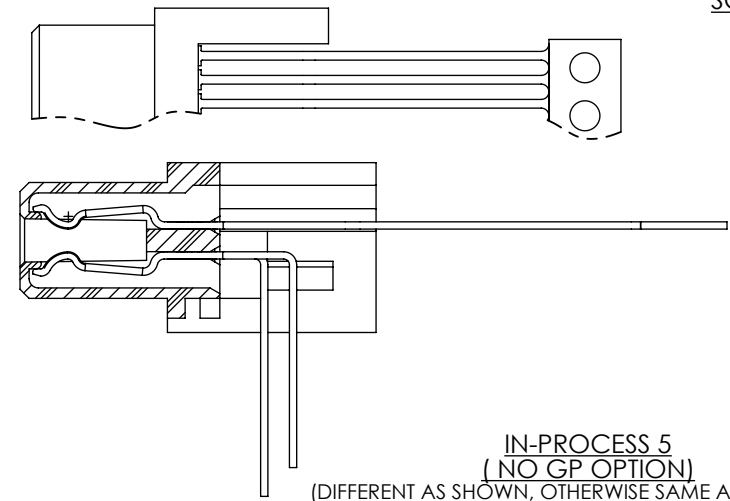
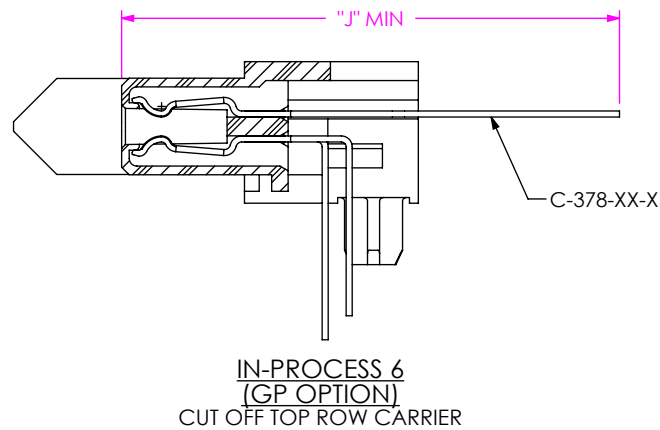
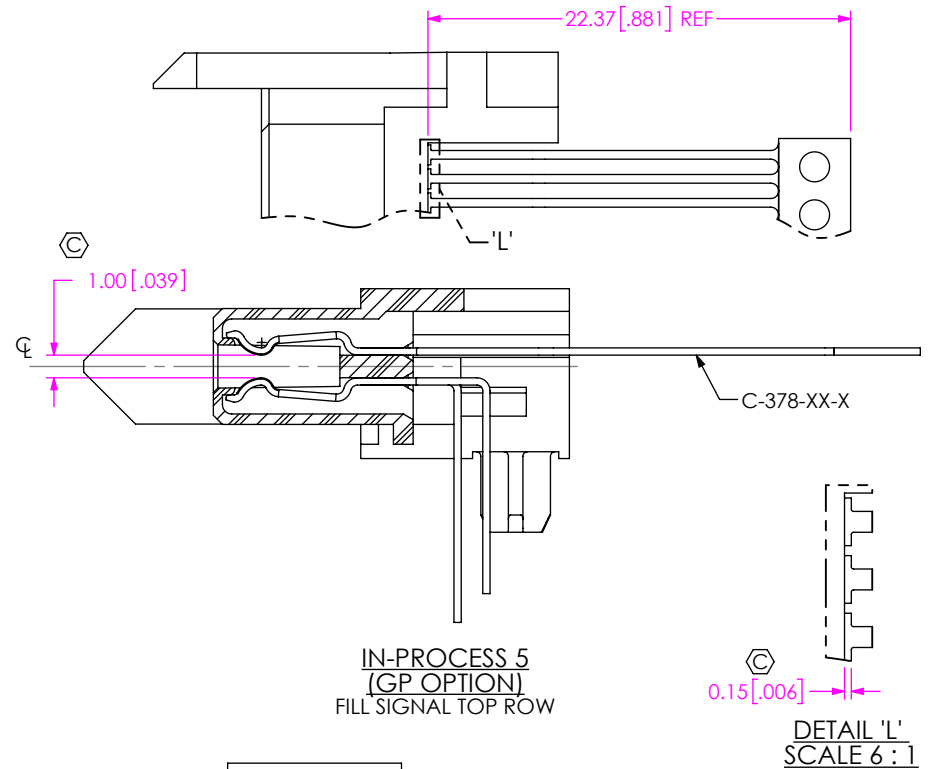
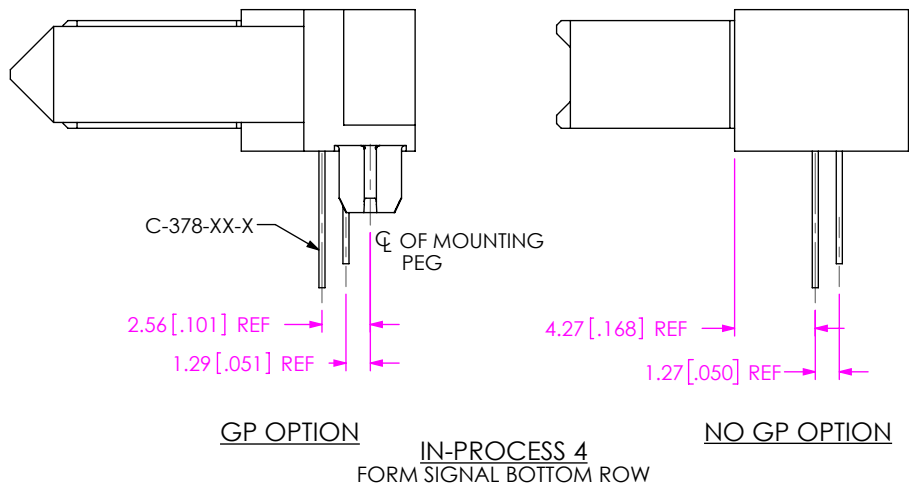


520 PARK EAST BLVD, NEW ALBANY, IN 47150  
PHONE: 812-944-6733 FAX: 812-948-5047  
e-Mail info@SAMTEC.com code 55322

DESCRIPTION: LPHS-RA SOCKETASSEMBLY

DWG. NO. LPHS-XX-XX-X-RTX-XX

BY: ROY LUO 12/13/2011 SHEET 3 OF 7



TAIL	"J"
-RT1	23.22 [.914]
-RT2	23.92 [.942]

**PROPRIETARY NOTE**  
 THIS DOCUMENT CONTAINS CONFIDENTIAL AND PROPRIETARY INFORMATION AND ALL DESIGN, MANUFACTURING, REPRODUCTION, USE, PATENT RIGHTS AND SALES RIGHTS ARE EXPRESSLY RESERVED BY SAMTEC, INC. THIS DOCUMENT SHALL NOT BE DISCLOSED, IN WHOLE OR PART, TO ANY UNAUTHORIZED PERSON OR ENTITY NOR REPRODUCED, TRANSFERRED OR INCORPORATED IN ANY OTHER PROJECT IN ANY MANNER WITHOUT THE EXPRESS WRITTEN CONSENT OF SAMTEC, INC.

DO NOT SCALE DRAWING

SHEET SCALE: 2.5:1

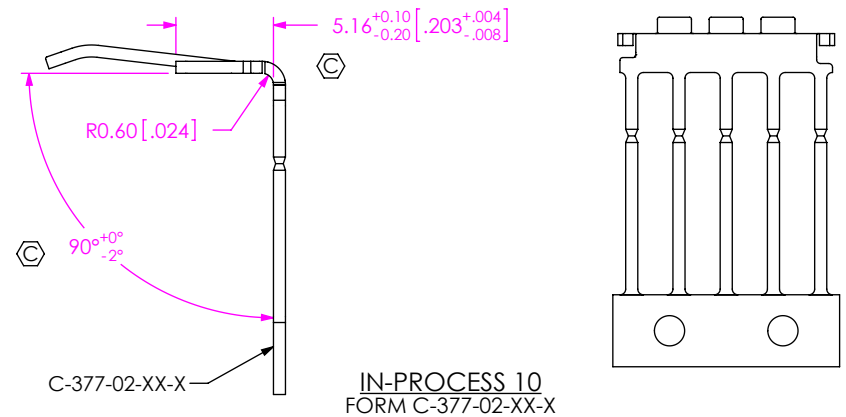
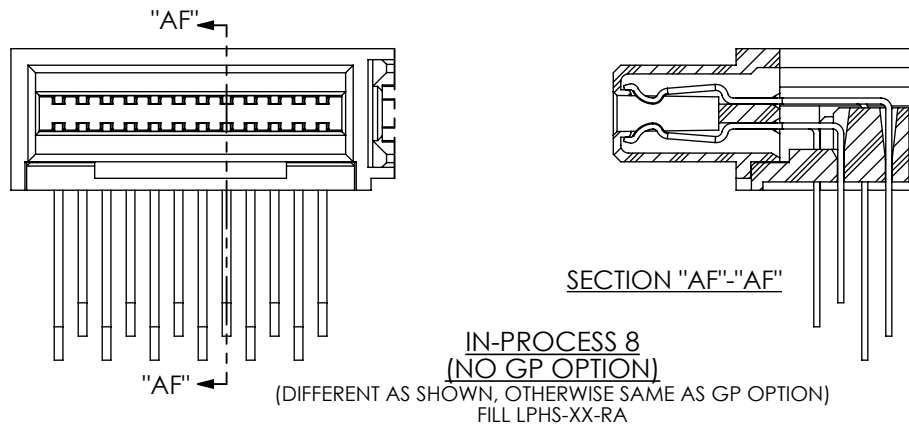
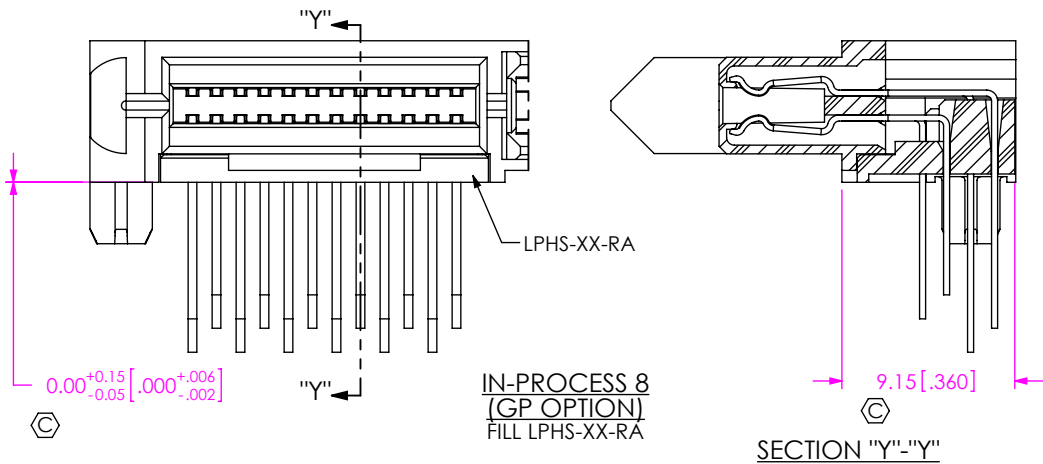
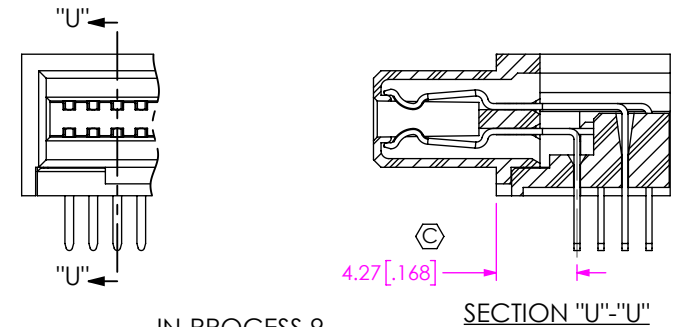
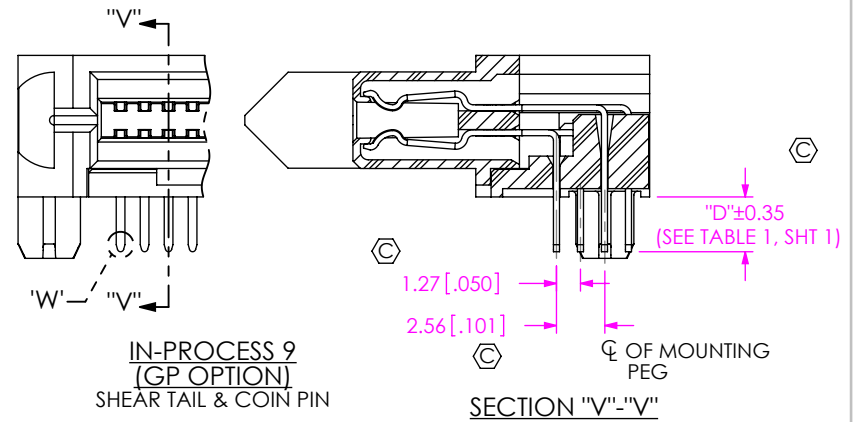
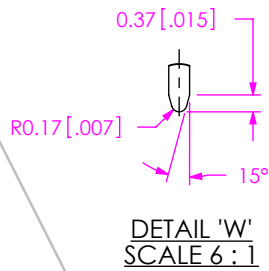
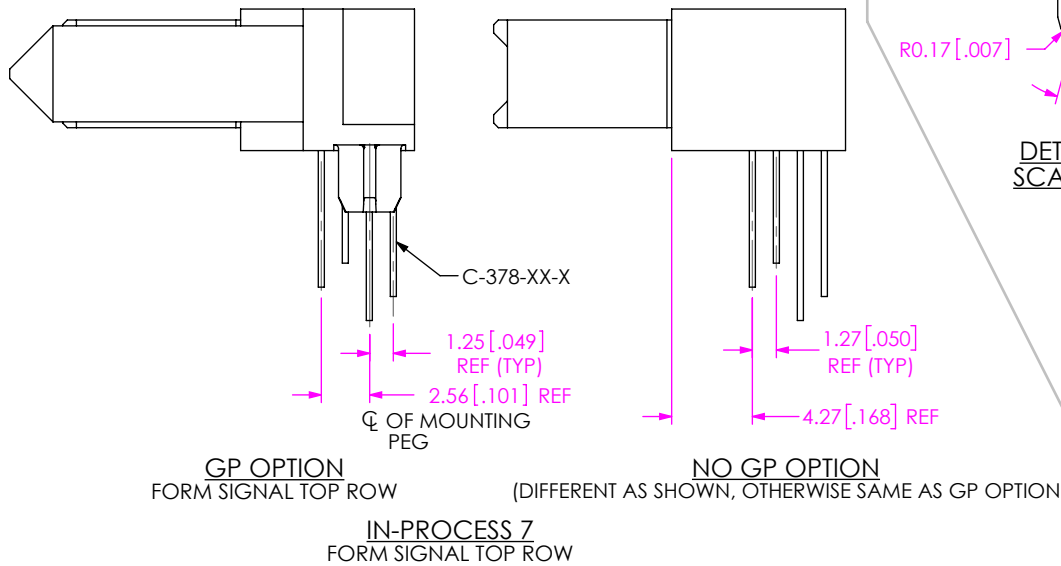
**samtec**

520 PARK EAST BLVD, NEW ALBANY, IN 47150  
 PHONE: 812-944-6733 FAX: 812-948-5047  
 e-Mail: info@SAMTEC.com code 55322

DESCRIPTION:  
 LPHS-RA SOCKETASSEMBLY

DWG. NO.  
 LPHS-XX-XX-X-RTX-XX

BY: ROY LUO 12/13/2011 SHEET 4 OF 7

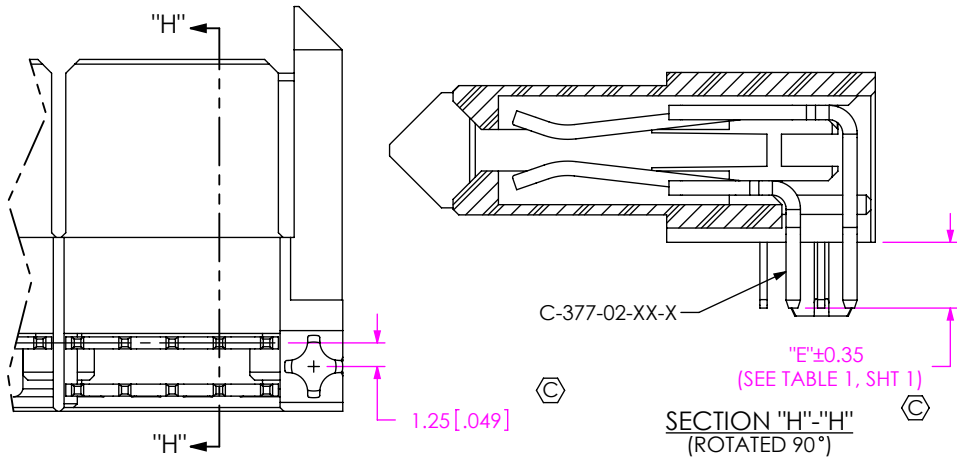


**PROPRIETARY NOTE**  
THIS DOCUMENT CONTAINS CONFIDENTIAL AND PROPRIETARY INFORMATION AND ALL DESIGN, MANUFACTURING, REPRODUCTION, USE, PATENT RIGHTS AND SALES RIGHTS ARE EXPRESSLY RESERVED BY SAMTEC, INC. THIS DOCUMENT SHALL NOT BE DISCLOSED, IN WHOLE OR PART, TO ANY UNAUTHORIZED PERSON OR ENTITY NOR REPRODUCED, TRANSFERRED OR INCORPORATED IN ANY OTHER PROJECT IN ANY MANNER WITHOUT THE EXPRESS WRITTEN CONSENT OF SAMTEC, INC.

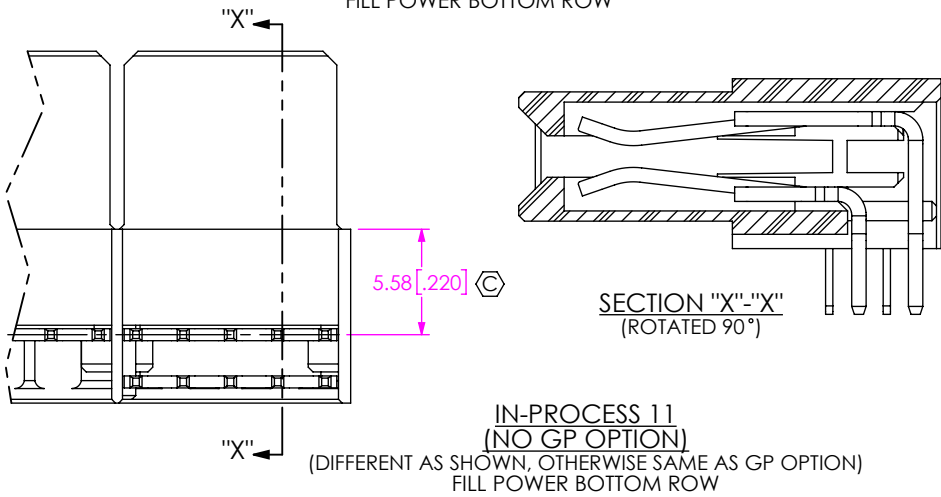
DO NOT SCALE DRAWING  
SHEET SCALE: 2.5:1

**samtec**  
520 PARK EAST BLVD, NEW ALBANY, IN 47150  
PHONE: 812-944-6733 FAX: 812-948-5047  
e-Mail info@SAMTEC.com code 55322

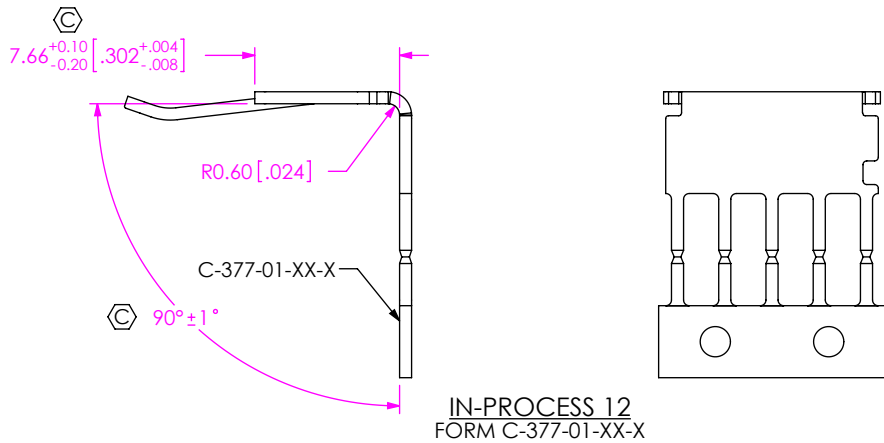
DESCRIPTION: LPHS-RA SOCKETASSEMBLY  
DWG. NO. LPHS-XX-XX-X-RTX-XX  
BY: ROY LUO 12/13/2011 SHEET 5 OF 7



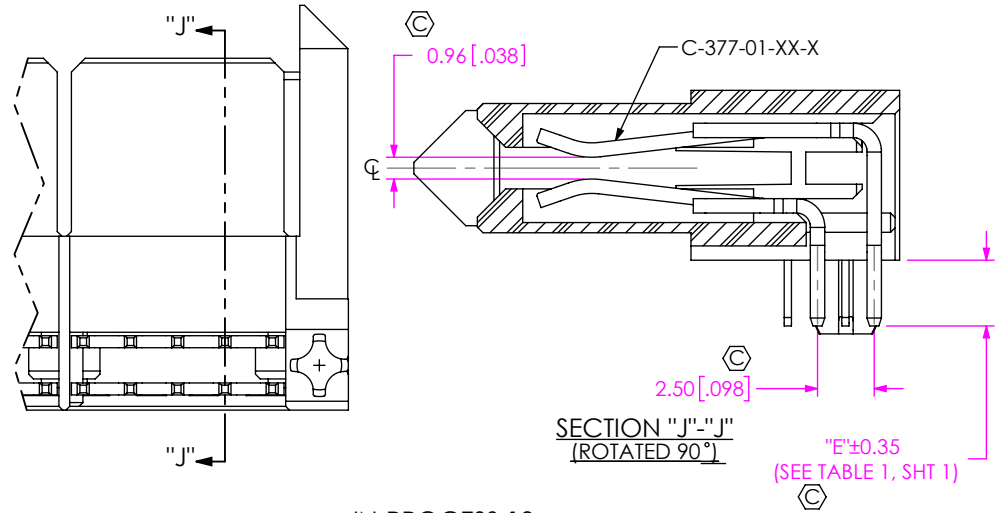
IN-PROCESS 11  
(GP OPTION)  
FILL POWER BOTTOM ROW



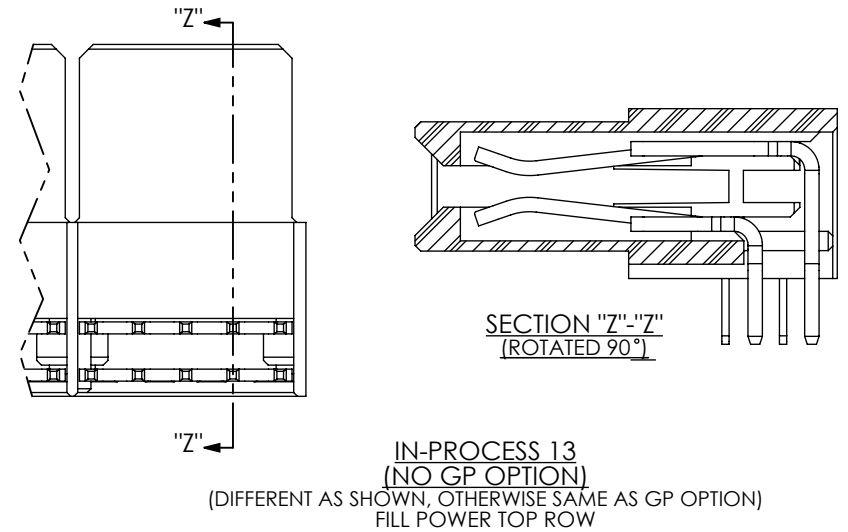
IN-PROCESS 11  
(NO GP OPTION)  
(DIFFERENT AS SHOWN, OTHERWISE SAME AS GP OPTION)  
FILL POWER BOTTOM ROW



IN-PROCESS 12  
FORM C-377-01-XX-X



IN-PROCESS 13  
(GP OPTION)  
FILL POWER TOP ROW



IN-PROCESS 13  
(NO GP OPTION)  
(DIFFERENT AS SHOWN, OTHERWISE SAME AS GP OPTION)  
FILL POWER TOP ROW

**PROPRIETARY NOTE**  
THIS DOCUMENT CONTAINS CONFIDENTIAL AND PROPRIETARY INFORMATION AND ALL DESIGN, MANUFACTURING, REPRODUCTION, USE, PATENT RIGHTS AND SALES RIGHTS ARE EXPRESSLY RESERVED BY SAMTEC, INC. THIS DOCUMENT SHALL NOT BE DISCLOSED, IN WHOLE OR PART, TO ANY UNAUTHORIZED PERSON OR ENTITY NOR REPRODUCED, TRANSFERRED OR INCORPORATED IN ANY OTHER PROJECT IN ANY MANNER WITHOUT THE EXPRESS WRITTEN CONSENT OF SAMTEC, INC.

DO NOT SCALE DRAWING

SHEET SCALE: 2.5:1

**samtec**

520 PARK EAST BLVD. NEW ALBANY, IN 47150  
PHONE: 812-944-6733 FAX: 812-948-5047  
e-Mail: info@SAMTEC.com code 55322

DESCRIPTION: LPHS-RA SOCKETASSEMBLY

DWG. NO. LPHS-XX-XX-X-RTX-XX

BY: ROY LUO 12/13/2011 SHEET 6 OF 7

**TABLE 2 SIGNAL/POWER COMBO -A-GP**

SIGNAL POS	02 POWER POS			04 POWER POS			06 POWER POS			08 POWER POS		
	"A"	"B"	"C"	"A"	"B"	"C"	"A"	"B"	"C"	"A"	"B"	"C"
12	29.09 [1.145]	24.60 [0.969]	25.90 [1.020]	41.09 [1.618]	36.60 [1.441]	37.90 [1.492]	53.09 [2.090]	48.60 [1.913]	49.90 [1.965]	65.09 [2.563]	60.60 [2.386]	61.90 [2.437]
16	31.63 [1.245]	27.14 [1.069]	28.44 [1.120]	43.63 [1.718]	39.14 [1.541]	40.44 [1.592]	55.63 [2.190]	51.14 [2.013]	52.44 [2.065]	67.63 [2.663]	63.14 [2.486]	64.44 [2.537]
20	34.17 [1.345]	29.68 [1.169]	30.98 [1.220]	46.17 [1.818]	41.68 [1.641]	42.98 [1.692]	58.17 [2.290]	53.68 [2.113]	54.98 [2.165]	70.17 [2.763]	65.68 [2.586]	66.98 [2.637]
24	36.71 [1.445]	32.22 [1.269]	33.52 [1.320]	48.71 [1.918]	44.22 [1.741]	45.52 [1.792]	60.71 [2.390]	56.22 [2.213]	57.52 [2.265]	72.71 [2.863]	68.22 [2.686]	69.52 [2.737]
28	39.25 [1.545]	34.76 [1.369]	36.06 [1.420]	51.25 [2.018]	46.76 [1.841]	48.06 [1.892]	63.25 [2.490]	58.76 [2.313]	60.06 [2.365]	75.25 [2.963]	70.76 [2.786]	72.06 [2.837]
32	41.79 [1.645]	37.30 [1.469]	38.60 [1.520]	53.79 [2.118]	49.30 [1.941]	50.60 [1.992]	65.79 [2.590]	61.30 [2.413]	62.60 [2.465]	77.79 [3.063]	73.30 [2.886]	74.60 [2.937]
36	44.33 [1.745]	39.84 [1.569]	41.14 [1.620]	56.33 [2.218]	51.84 [2.041]	53.14 [2.092]	68.33 [2.690]	63.84 [2.513]	65.14 [2.565]	80.33 [3.163]	75.84 [2.986]	77.14 [3.037]
40	46.87 [1.845]	42.38 [1.669]	43.68 [1.720]	58.87 [2.318]	54.38 [2.141]	55.68 [2.192]	70.87 [2.790]	66.38 [2.613]	67.68 [2.665]	82.87 [3.263]	78.38 [3.086]	79.68 [3.137]

**TABLE 2 SIGNAL/POWER COMBO -A-GP CONTINUED**

SIGNAL POS	10 POWER POS			12 POWER POS			14 POWER		
	"A"	"B"	"C"	"A"	"B"	"C"	"A"	"B"	"C"
12	77.09 [3.035]	72.60 [2.858]	73.90 [2.909]	89.09 [3.507]	84.60 [3.331]	85.90 [3.382]	101.09 [3.980]	96.60 [3.803]	97.90 [3.854]
16	79.63 [3.135]	75.14 [2.958]	76.44 [3.009]	91.63 [3.607]	87.14 [3.431]	88.44 [3.482]	103.63 [4.080]	99.14 [3.903]	100.44 [3.954]
20	82.17 [3.235]	77.68 [3.058]	78.98 [3.109]	94.17 [3.707]	89.68 [3.531]	90.98 [3.582]	106.17 [4.180]	101.68 [4.003]	102.98 [4.054]
24	84.71 [3.335]	80.22 [3.158]	81.52 [3.209]	96.71 [3.807]	92.22 [3.631]	93.52 [3.682]	108.71 [4.280]	104.22 [4.103]	105.52 [4.154]
28	87.25 [3.435]	82.76 [3.258]	84.06 [3.309]	99.25 [3.907]	94.76 [3.731]	96.06 [3.782]	111.25 [4.380]	106.76 [4.203]	108.06 [4.254]
32	89.79 [3.535]	85.30 [3.358]	86.60 [3.409]	101.79 [4.007]	97.30 [3.831]	98.60 [3.882]	113.79 [4.480]	109.30 [4.303]	110.60 [4.354]
36	92.33 [3.635]	87.84 [3.458]	89.14 [3.509]	104.33 [4.107]	99.84 [3.931]	101.14 [3.982]	116.33 [4.580]	111.84 [4.403]	113.14 [4.454]
40	94.87 [3.735]	90.38 [3.558]	91.68 [3.609]	106.87 [4.207]	102.38 [4.031]	103.68 [4.082]	118.87 [4.680]	114.38 [4.503]	115.68 [4.554]

**TABLE 3 SIGNAL/POWER COMBO NO -GP OPTIONS**

SIGNAL POS	02 POWER	04 POWER	06 POWER	08 POWER	10 POWER	12 POWER	14 POWER
	"A"	"A"	"A"	"A"	"A"	"A"	"A"
12	23.42 [0.922]	35.42 [1.394]	47.42 [1.867]	59.42 [2.339]	71.42 [2.812]	83.42 [3.284]	95.42 [3.757]
16	25.96 [1.022]	37.96 [1.494]	49.96 [1.967]	61.96 [2.439]	73.96 [2.912]	85.96 [3.384]	97.96 [3.857]
20	28.50 [1.122]	40.50 [1.594]	52.50 [2.067]	64.50 [2.539]	76.50 [3.012]	88.50 [3.484]	100.50 [3.957]
24	31.04 [1.222]	43.04 [1.694]	55.04 [2.167]	67.04 [2.639]	79.04 [3.112]	91.04 [3.584]	103.04 [4.057]
28	33.58 [1.322]	45.58 [1.794]	57.58 [2.267]	69.58 [2.739]	81.58 [3.212]	93.58 [3.684]	105.58 [4.157]
32	36.12 [1.422]	48.12 [1.894]	60.12 [2.367]	72.12 [2.839]	84.12 [3.312]	96.12 [3.784]	108.12 [4.257]
36	38.66 [1.522]	50.66 [1.994]	62.66 [2.467]	74.66 [2.939]	86.66 [3.412]	98.66 [3.884]	110.66 [4.357]
40	41.20 [1.622]	53.20 [2.094]	65.20 [2.567]	77.20 [3.039]	89.20 [3.512]	101.20 [3.984]	113.20 [4.457]

**TABLE 4**

SIGNAL POS	"F"	"G"
12	6.35 [0.250]	6.35 [0.250]
16	8.89 [0.350]	8.89 [0.350]
20	11.43 [0.450]	11.43 [0.450]
24	13.97 [0.550]	13.97 [0.550]
28	16.51 [0.650]	16.51 [0.650]
32	19.05 [0.750]	19.05 [0.750]
36	21.59 [0.850]	21.59 [0.850]
40	24.13 [0.950]	24.13 [0.950]

**PROPRIETARY NOTE**  
 THIS DOCUMENT CONTAINS CONFIDENTIAL AND PROPRIETARY INFORMATION AND ALL DESIGN, MANUFACTURING, REPRODUCTION, USE, PATENT RIGHTS AND SALES RIGHTS ARE EXPRESSLY RESERVED BY SAMTEC, INC. THIS DOCUMENT SHALL NOT BE DISCLOSED, IN WHOLE OR PART, TO ANY UNAUTHORIZED PERSON OR ENTITY NOR REPRODUCED, TRANSFERRED OR INCORPORATED IN ANY OTHER PROJECT IN ANY MANNER WITHOUT THE EXPRESS WRITTEN CONSENT OF SAMTEC, INC.

DO NOT SCALE DRAWING  
 SHEET SCALE: 2:1



520 PARK EAST BLVD, NEW ALBANY, IN 47150  
 PHONE: 812-944-6733 FAX: 812-948-5047  
 e-Mail info@SAMTEC.com code 55322

DESCRIPTION: LPHS-RA SOCKETASSEMBLY  
 DWG. NO. LPHS-XX-XX-X-RTX-XX  
 BY: ROY LUO 12/13/2011 SHEET 7 OF 7