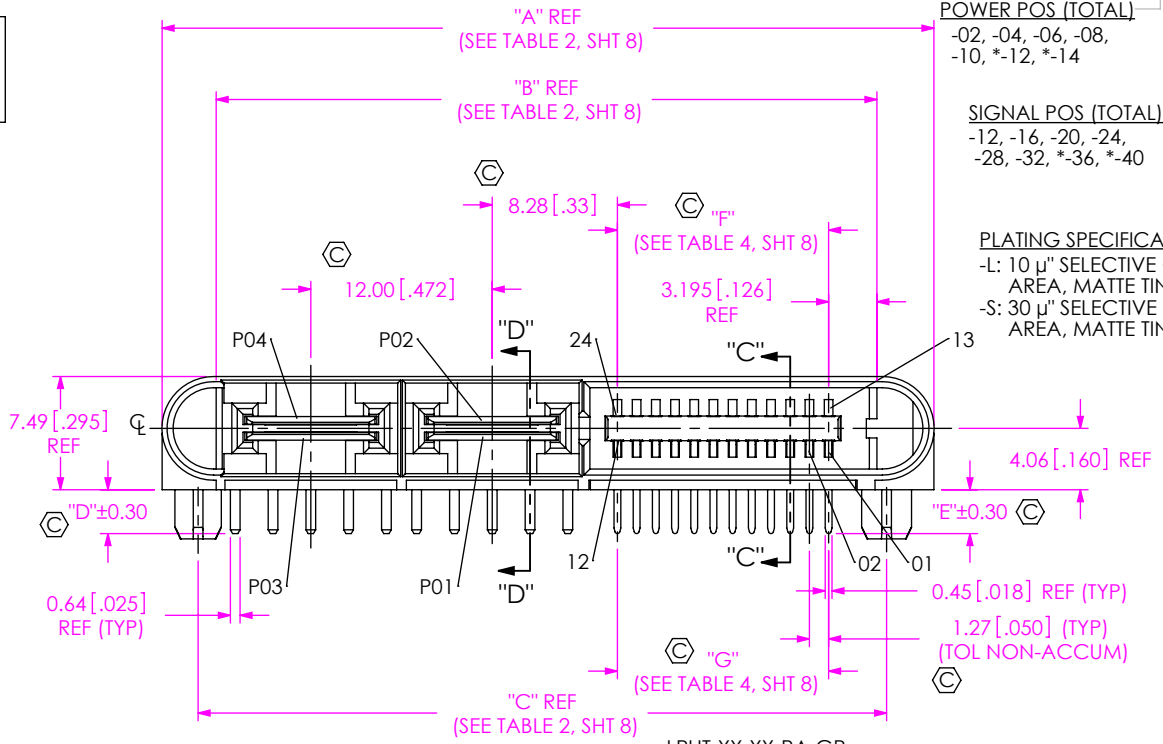


DESIGNED & DIMENSIONED
IN MILLIMETERS [INCHES]

LPHT-XX-XX-X-RTX-XX

DO NOT
SCALE FROM
THIS PRINT



POWER POS (TOTAL)
-02, -04, -06, -08,
-10, *-12, *-14

SIGNAL POS (TOTAL)
-12, -16, -20, -24,
-28, -32, *-36, *-40

OPTIONS

- GP: GUIDE POSTS (LEAVE BLANK FOR NO -GP OPTION)
- BLANK: NO GP OPTION
- *-HS: HOT SWAP (ONE BANK OF OUTER POWER POS ARE LONG PINS, POWER PIN ONLY) (NOT AVAILABLE ON -02 POWER POS) (LEAVE BLANK FOR NO HOT SWAP)

PLATING SPECIFICATION

- L: 10 μ" SELECTIVE GOLD IN CONTACT AREA, MATTE TIN ON TAIL
- S: 30 μ" SELECTIVE GOLD IN CONTACT AREA, MATTE TIN ON TAIL

TAIL

- RT1: RA-TH, 1.58 [.062] BOARD
- RT2: RA-TH, 2.36 [.093] BOARD

(* = NOT TOOLED)

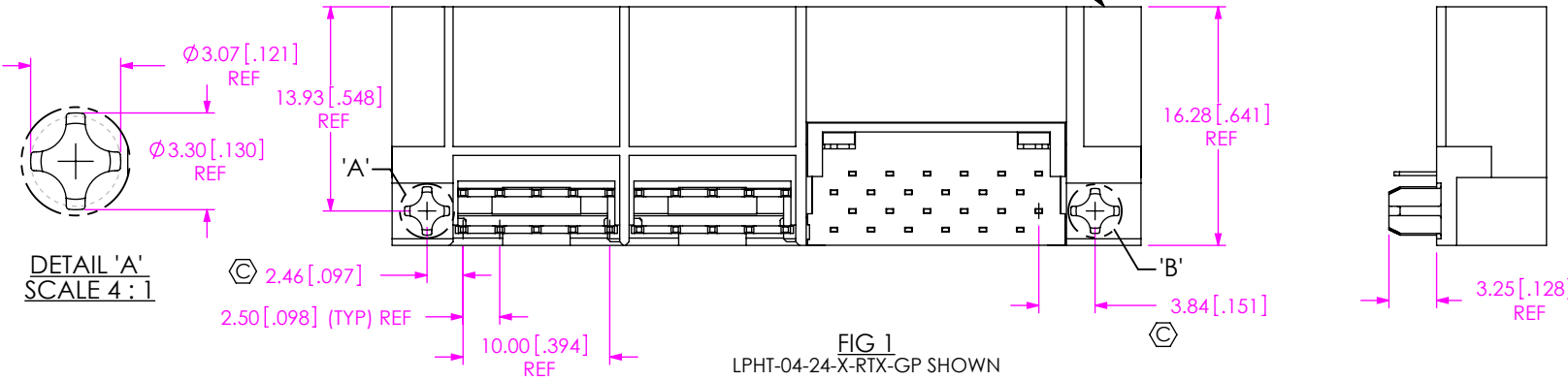
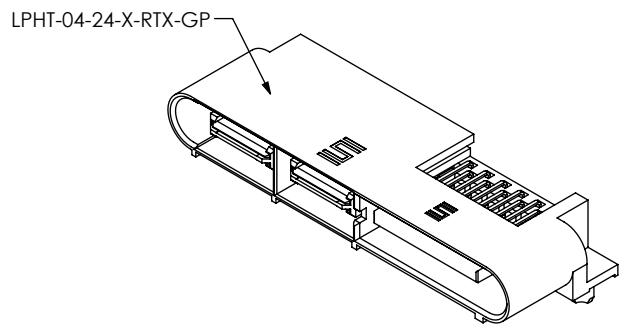


FIG 1
LPHT-04-24-X-RTX-GP SHOWN

TAIL	ROW 1 POWER	ROW 2 POWER	"D"	"E"
-RT1	T-1M110-02-01-X-ST	T-1M110-01-01-X-ST	2.90 [.114]	2.90 [.114]
-RT2	T-1M110-02-02-X-ST	T-1M110-01-02-X-ST	3.60 [.142]	3.60 [.142]

- NOTES:
- ⊗ REPRESENTS A CRITICAL DIMENSION.
 - MINIMUM PUSHOUT FORCE: SIGNAL PIN: 0.5 LBS, POWER PIN: 3.0 LBS.
 - MAXIMUM ALLOWABLE BOW: 0.15 [.006] MM/MM AFTER ASSEMBLY.
 - MAXIMUM BURR ON SHEARED TAILS: 0.10 [.004].
 - ALL P/N'S REQUIRE PRESSING TO PCB DUE TO ALIGNMENT PEGS, CONTACT SAMTEC FOR REQUIRED FIXTURES.
 - ASSEMBLIES TO BE PACKAGED IN TRAYS.

UNLESS OTHERWISE SPECIFIED,
DIMENSIONS ARE IN MILLIMETERS.

TOLERANCES ARE:

DECIMALS	ANGLES
X.X: ±0.3 [.01]	2°
X.XX: ±0.13 [.005]	
X.XXX: ±0.051 [.0020]	

PROPRIETARY NOTE

THIS DOCUMENT CONTAINS CONFIDENTIAL AND PROPRIETARY INFORMATION AND ALL DESIGN, MANUFACTURING, REPRODUCTION, USE, PATENT RIGHTS AND SALES RIGHTS ARE EXPRESSLY RESERVED BY SAMTEC, INC. THIS DOCUMENT SHALL NOT BE DISCLOSED, IN WHOLE OR PART, TO ANY UNAUTHORIZED PERSON OR ENTITY NOR REPRODUCED, TRANSFERRED OR INCORPORATED IN ANY OTHER PROJECT IN ANY MANNER WITHOUT THE EXPRESS WRITTEN CONSENT OF SAMTEC, INC.

MATERIAL: DO NOT SCALE DRAWING SHEET SCALE: 2:1

INSULATORS: LCP, COLOR: BLACK
SIGNAL TERMINAL: BRASS
POWER TERMINAL: COPPER ALLOY

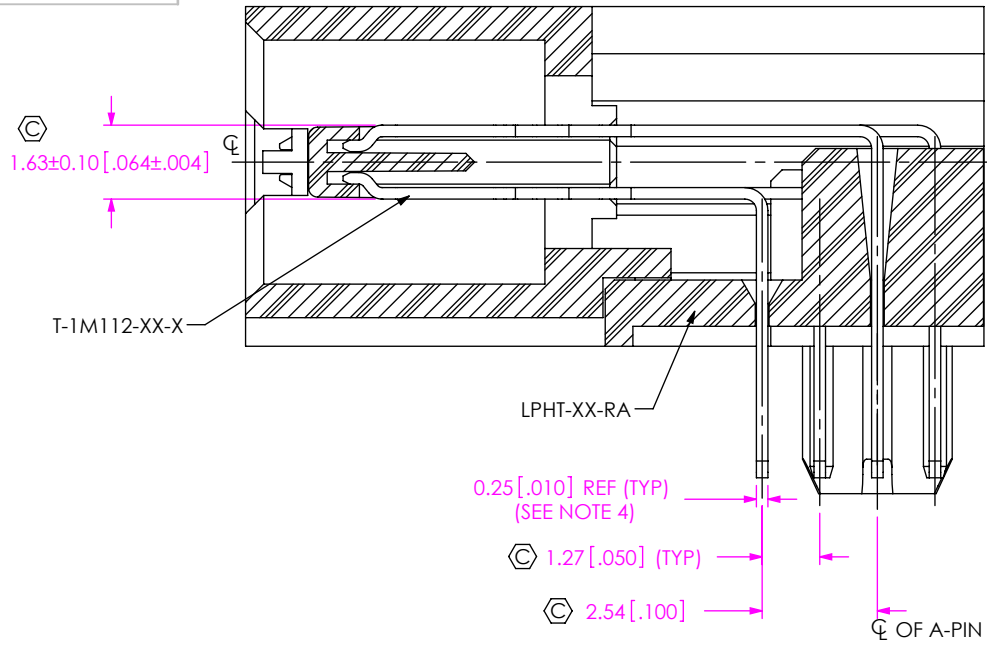


520 PARK EAST BLVD, NEW ALBANY, IN 47150
PHONE: 812-944-6733 FAX: 812-948-5047
e-Mail: info@SAMTEC.com code 53322

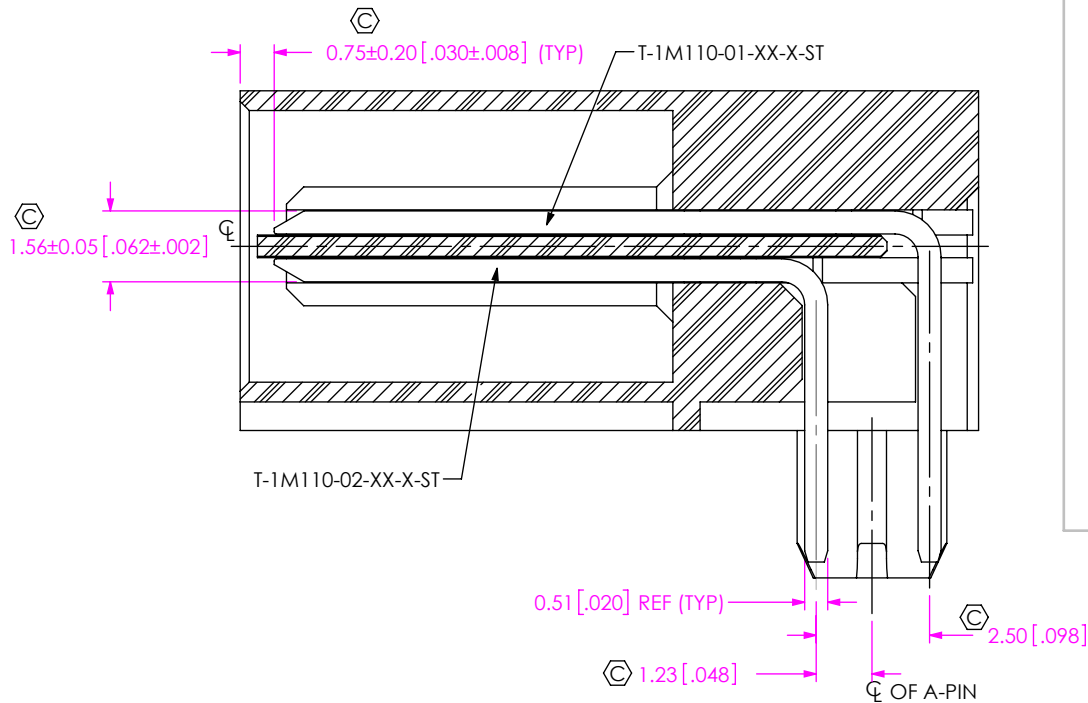
DESCRIPTION:
LPHT-RA TERMINAL ASSEMBLY

DWG. NO.
LPHT-XX-XX-X-RTX-XX

BY: ROY LUO 11/28/2011 SHEET 1 OF 8



SECTION "C"-"C"
SCALE 6 : 1



SECTION "D"-"D"
SCALE 6 : 1

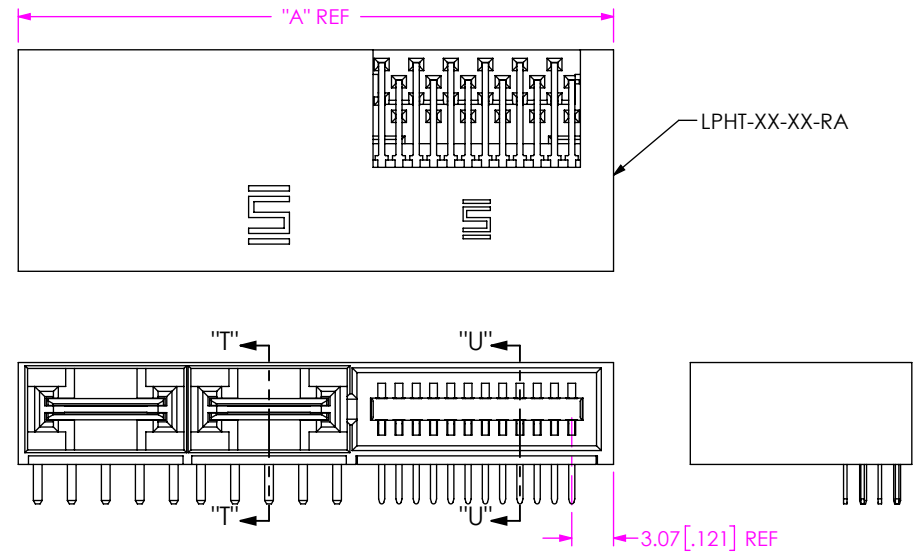
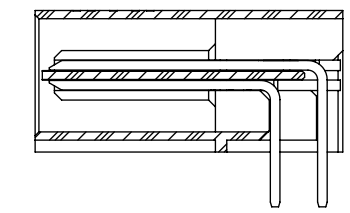
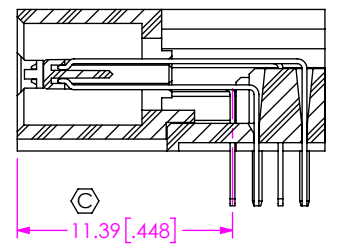


FIG 2
LPHT-04-24-X-RTX SHOWN
(DIFFERENT AS SHOWN, OTHERWISE SAME AS FIG 1)



SECTION "T"-"T"
(DIFFERENT AS SHOWN,
OTHERWISE SAME AS SECTION "D"-"D")



SECTION "U"-"U"
(DIFFERENT AS SHOWN,
OTHERWISE SAME AS SECTION "C"-"C")

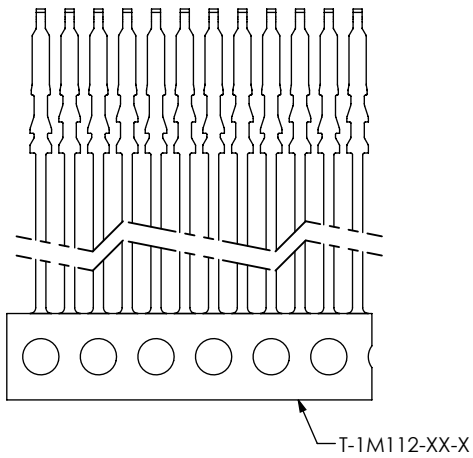
PROPRIETARY NOTE
THIS DOCUMENT CONTAINS CONFIDENTIAL AND PROPRIETARY INFORMATION AND ALL DESIGN, MANUFACTURING, REPRODUCTION, USE, PATENT RIGHTS AND SALES RIGHTS ARE EXPRESSLY RESERVED BY SAMTEC, INC. THIS DOCUMENT SHALL NOT BE DISCLOSED, IN WHOLE OR PART, TO ANY UNAUTHORIZED PERSON OR ENTITY NOR REPRODUCED, TRANSFERRED OR INCORPORATED IN ANY OTHER PROJECT IN ANY MANNER WITHOUT THE EXPRESS WRITTEN CONSENT OF SAMTEC, INC.

DO NOT SCALE DRAWING
SHEET SCALE: 1:5:1

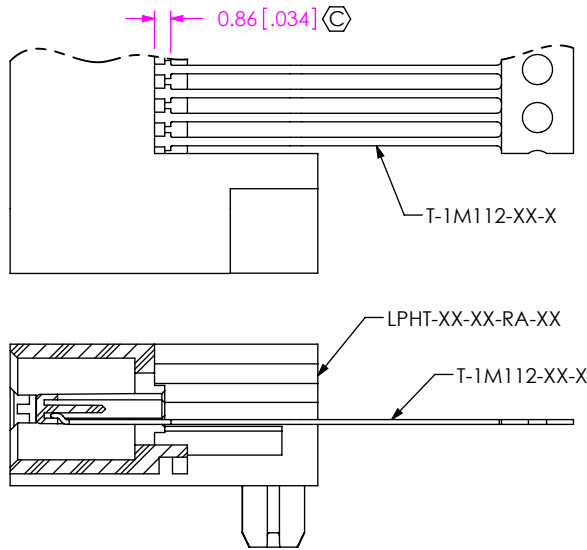


520 PARK EAST BLVD, NEW ALBANY, IN 47150
PHONE: 812-944-6733 FAX: 812-948-5047
e-Mail info@SAMTEC.com code 55322

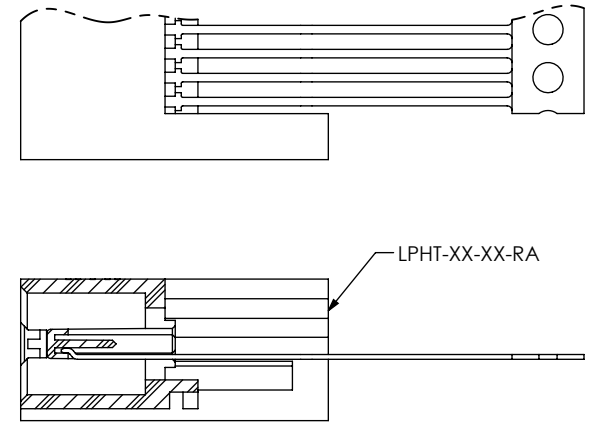
DESCRIPTION:	LPHT-RA TERMINAL ASSEMBLY
DWG. NO.	LPHT-XX-XX-X-RTX-XX
BY: ROY LUO	11/28/2011 SHEET 2 OF 8



IN-PROCESS 1
REMOVE TIE BARS FOR T-1M112-XX-X



GP OPTION



NO GP OPTION
(DIFFERENT AS SHOWN, OTHERWISE SAME AS GP OPTION)

IN-PROCESS 2
FILL SIGNAL BOTTOM ROW

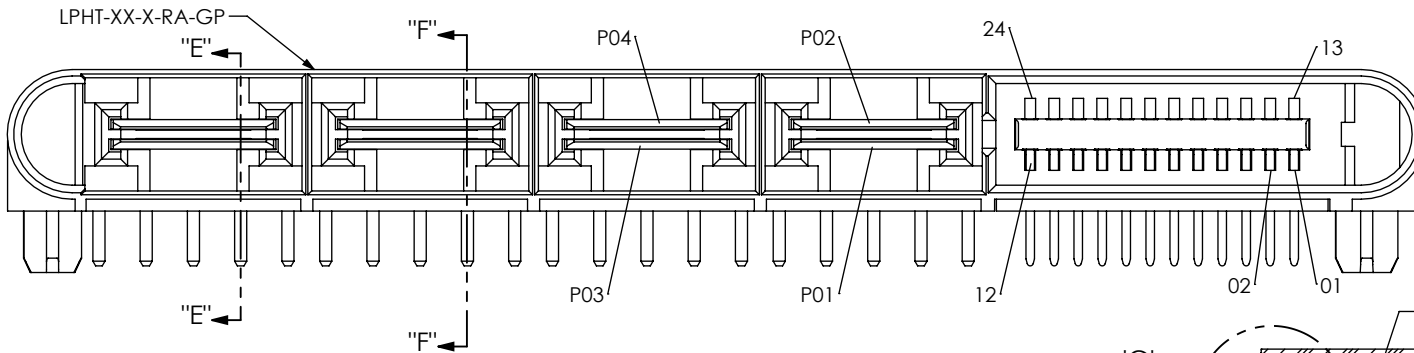
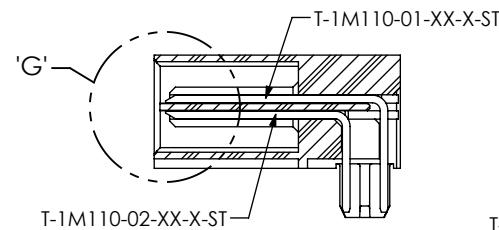
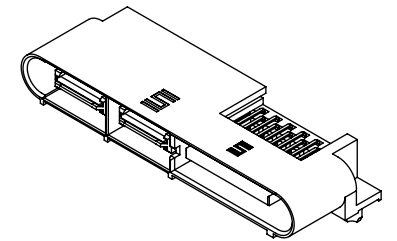
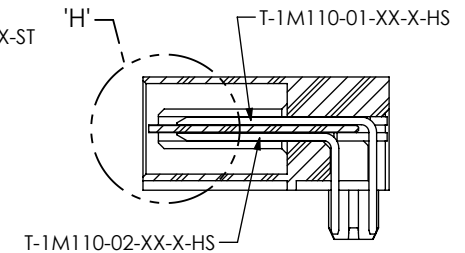


FIG 3
LPHT-08-24-X-RTX-GP-HS SHOWN
(DIFFERENT AS SHOWN, OTHERWISE SAME AS FIG 1)
(NOT TOOLED)

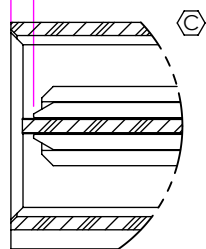


SECTION 'E'-'E'
SCALE 2 : 1



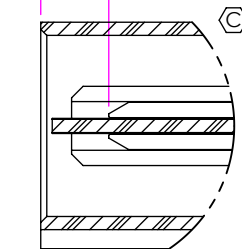
SECTION 'F'-'F'
SCALE 2 : 1

0.75±0.20 [0.030±0.008] (2 PLCS ONLY)



DETAIL 'G'
SCALE 4 : 1

2.25±0.20 [0.089±0.008] (TYP)



DETAIL 'H'
SCALE 4 : 1

PROPRIETARY NOTE
THIS DOCUMENT CONTAINS CONFIDENTIAL AND PROPRIETARY INFORMATION AND ALL DESIGN, MANUFACTURING, REPRODUCTION, USE, PATENT RIGHTS AND SALES RIGHTS ARE EXPRESSLY RESERVED BY SAMTEC, INC. THIS DOCUMENT SHALL NOT BE DISCLOSED, IN WHOLE OR PART, TO ANY UNAUTHORIZED PERSON OR ENTITY NOR REPRODUCED, TRANSFERRED OR INCORPORATED IN ANY OTHER PROJECT IN ANY MANNER WITHOUT THE EXPRESS WRITTEN CONSENT OF SAMTEC, INC.

DO NOT SCALE DRAWING

SHEET SCALE: 3:1



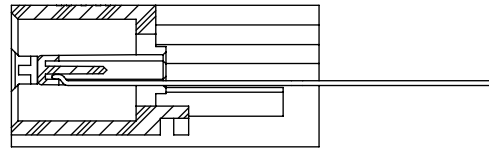
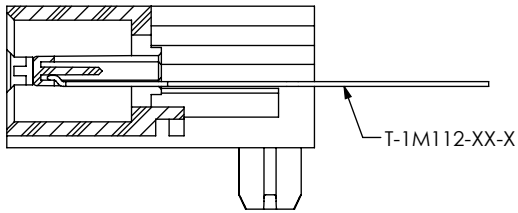
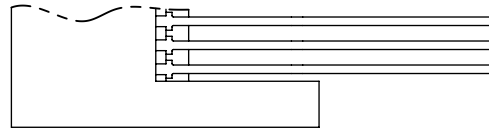
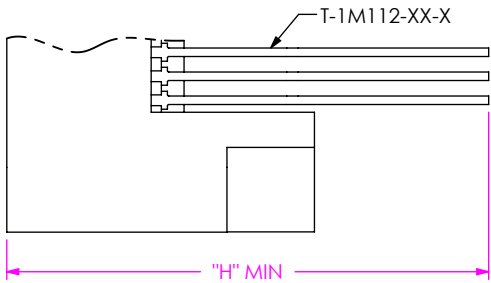
520 PARK EAST BLVD, NEW ALBANY, IN 47150
PHONE: 812-944-6733 FAX: 812-948-5047
e-Mail info@SAMTEC.com code 55322

DESCRIPTION: LPHT-RA TERMINAL ASSEMBLY

DWG. NO. LPHT-XX-XX-X-RTX-XX

BY: ROY LUO 11/28/2011 SHEET 3 OF 8

REVISION H



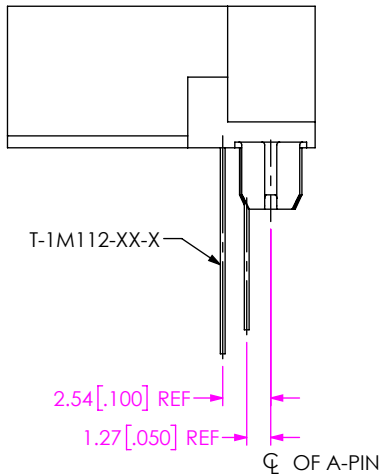
GP OPTION

NO GP OPTION
(DIFFERENT AS SHOWN, OTHERWISE SAME AS GP OPTION)

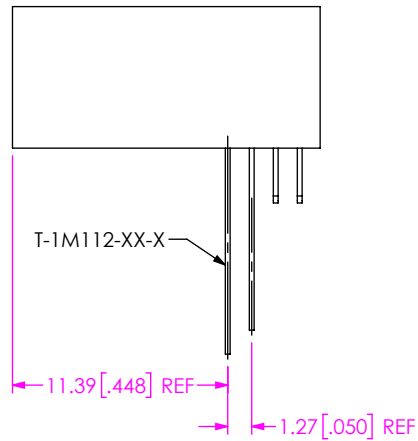
TABLE 5

TAIL	"H"
-RT1	19.93 [.785]
-RT2	20.63 [.812]

IN-PROCESS 3
CUT OFF CARRIER

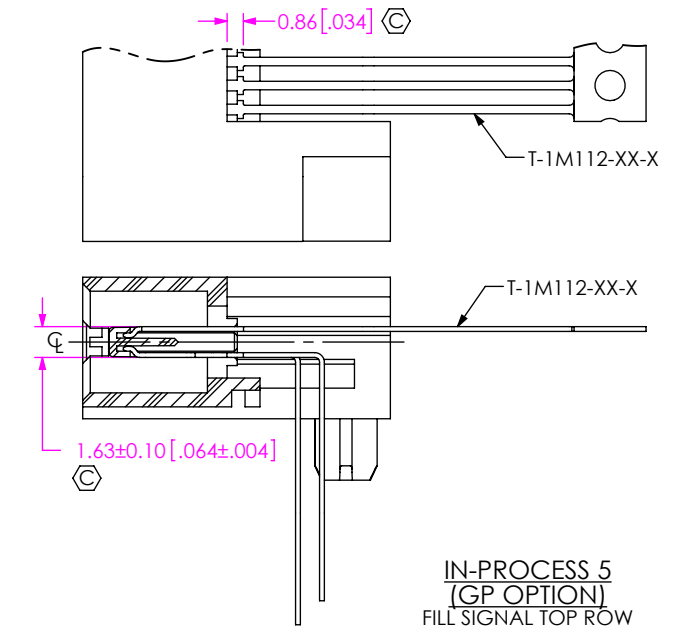


GP OPTION

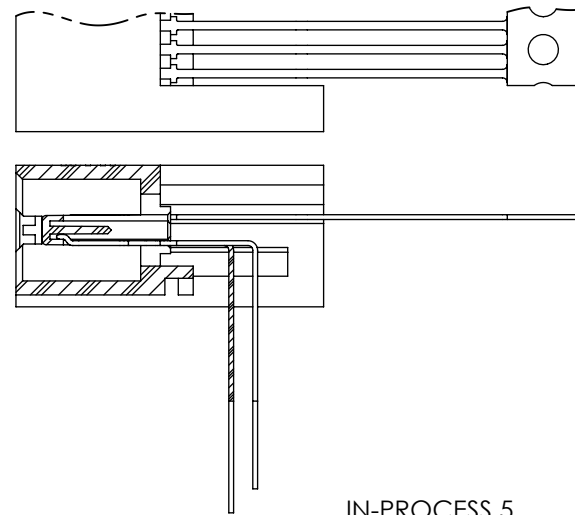


NO GP OPTION
(DIFFERENT AS SHOWN, OTHERWISE SAME AS GP OPTION)

IN-PROCESS 4
FORM SIGNAL BOTTOM ROW



IN-PROCESS 5
(GP OPTION)
FILL SIGNAL TOP ROW



IN-PROCESS 5
(NO GP OPTION)
(DIFFERENT AS SHOWN, OTHERWISE SAME AS GP OPTION)
FILL SIGNAL TOP ROW

PROPRIETARY NOTE
THIS DOCUMENT CONTAINS CONFIDENTIAL AND PROPRIETARY INFORMATION AND ALL DESIGN, MANUFACTURING, REPRODUCTION, USE, PATENT RIGHTS AND SALES RIGHTS ARE EXPRESSLY RESERVED BY SAMTEC, INC. THIS DOCUMENT SHALL NOT BE DISCLOSED, IN WHOLE OR PART, TO ANY UNAUTHORIZED PERSON OR ENTITY NOR REPRODUCED, TRANSFERRED OR INCORPORATED IN ANY OTHER PROJECT IN ANY MANNER WITHOUT THE EXPRESS WRITTEN CONSENT OF SAMTEC, INC.



520 PARK EAST BLVD, NEW ALBANY, IN 47150
PHONE: 812-944-6733 FAX: 812-948-5047
e-Mail info@SAMTEC.com code 55322

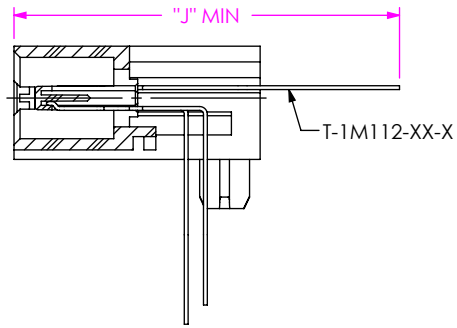
DO NOT SCALE DRAWING

SHEET SCALE: 3:1

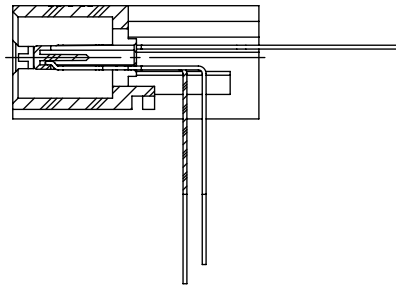
DESCRIPTION:
LPHT-RA TERMINAL ASSEMBLY

DWG. NO.
LPHT-XX-XX-X-RTX-XX

BY: ROY LUO 11/28/2011 SHEET 4 OF 8



GP OPTION

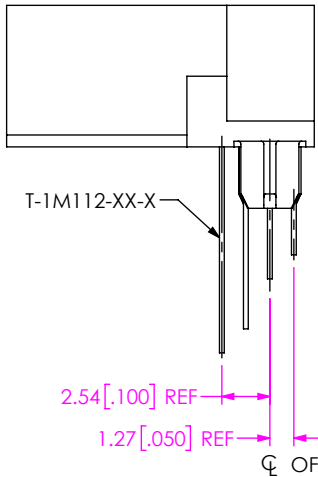


NO GP OPTION
(DIFFERENT AS SHOWN, OTHERWISE SAME AS GP OPTION)

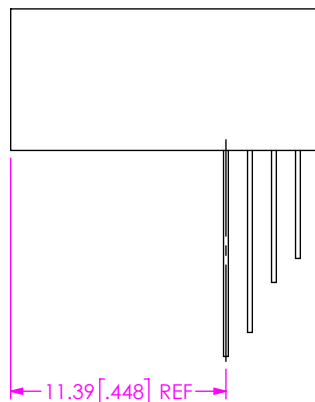
IN-PROCESS 6
CUT OFF CARRIER

TABLE 6

TAIL	"J"
-RT1	23.85 [.939]
-RT2	24.55 [.967]

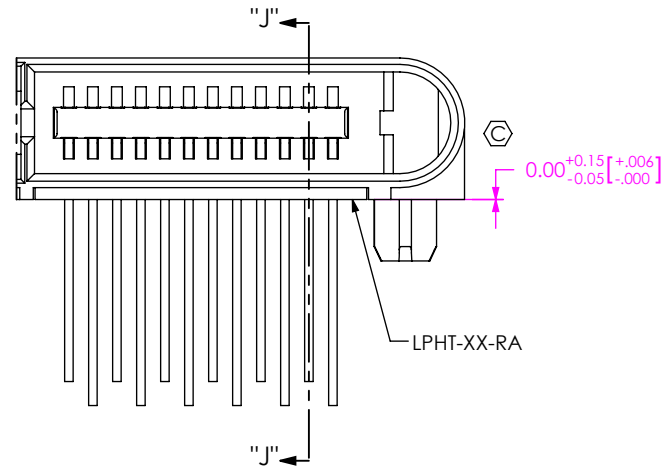


GP OPTION

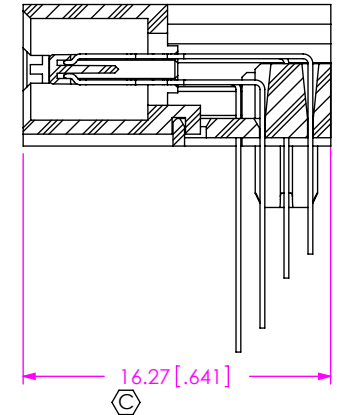


NO GP OPTION
(DIFFERENT AS SHOWN, OTHERWISE SAME AS GP OPTION)

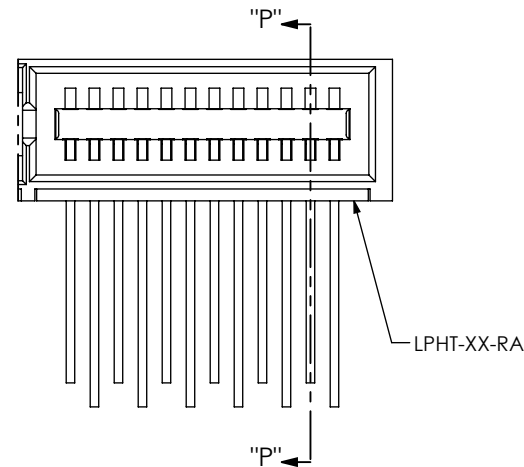
IN-PROCESS 7
FORM SIGNAL TOP ROW



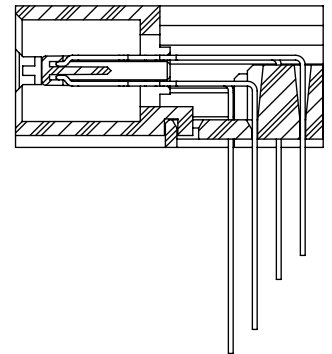
IN-PROCESS 8
(GP OPTION)
FILL LPHT-XX-RA



SECTION "J"-"J"
SCALE 2.5 : 1



IN-PROCESS 8
(NO GP OPTION)
(DIFFERENT AS SHOWN, OTHERWISE SAME AS GP OPTION)
FILL LPHT-XX-RA



SECTION "P"-"P"
SCALE 2.5 : 1

PROPRIETARY NOTE

THIS DOCUMENT CONTAINS CONFIDENTIAL AND PROPRIETARY INFORMATION AND ALL DESIGN, MANUFACTURING, REPRODUCTION, USE, PATENT RIGHTS AND SALES RIGHTS ARE EXPRESSLY RESERVED BY SAMTEC, INC. THIS DOCUMENT SHALL NOT BE DISCLOSED, IN WHOLE OR PART, TO ANY UNAUTHORIZED PERSON OR ENTITY NOR REPRODUCED, TRANSFERRED OR INCORPORATED IN ANY OTHER PROJECT IN ANY MANNER WITHOUT THE EXPRESS WRITTEN CONSENT OF SAMTEC, INC.

DO NOT SCALE DRAWING

SHEET SCALE: 3:1

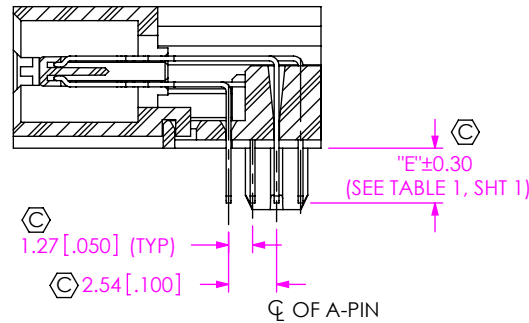
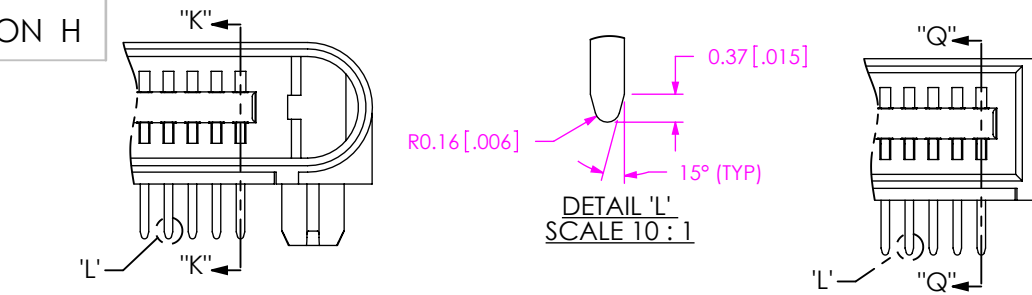


520 PARK EAST BLVD. NEW ALBANY, IN 47150
PHONE: 812-944-6733 FAX: 812-948-5047
e-Mail info@SAMTEC.com code 55322

DESCRIPTION:
LPHT-RA TERMINAL ASSEMBLY

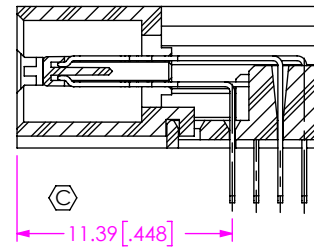
DWG. NO.
LPHT-XX-XX-X-RTX-XX

BY: ROY LUO 11/28/2011 SHEET 5 OF 8



SECTION "K"-"K"
GP OPTION

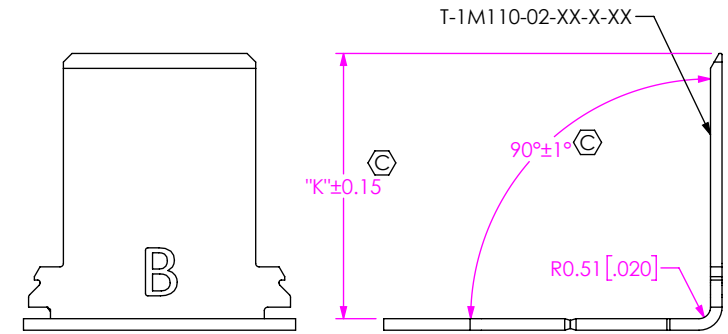
IN-PROCESS 9
SHEAR TAIL & COIN PIN



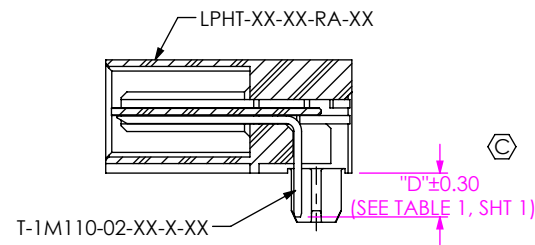
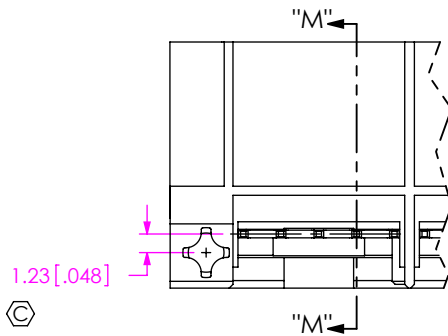
SECTION "Q"-"Q"

NO GP OPTION
(DIFFERENT AS SHOWN, OTHERWISE SAME AS GP OPTION)

TABLE 7		
OPTION	"K"	"L"
N/A	11.70 [.461]	14.20 [.559]
-HS	10.20 [.402]	12.70 [.500]



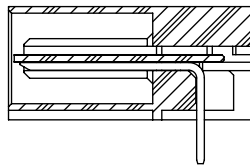
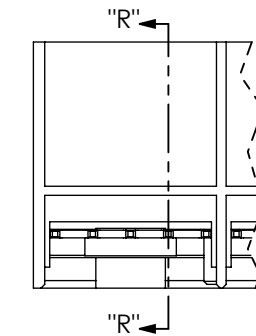
IN-PROCESS 10
(FORM T-1M110-02-XX-X-XX)



SECTION "M"-"M"
SCALE 2 : 1

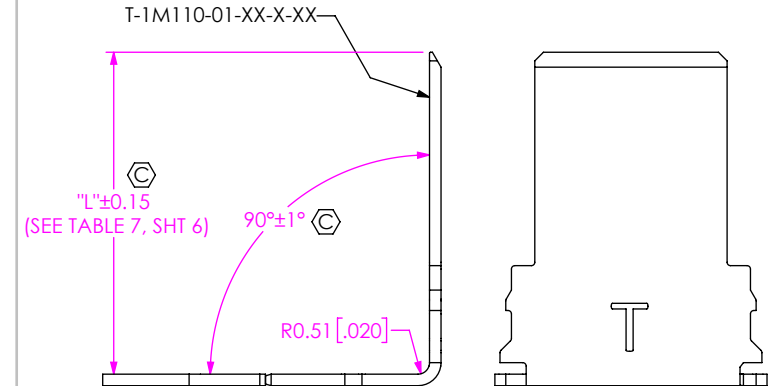
GP OPTION

IN-PROCESS 11
(FILL POWER BOTTOM ROW)



SECTION "R"-"R"
SCALE 2 : 1

NO GP OPTION
(DIFFERENT AS SHOWN, OTHERWISE SAME AS GP OPTION)



IN-PROCESS 12
(FORM T-1M110-01-XX-X-XX)

PROPRIETARY NOTE
THIS DOCUMENT CONTAINS CONFIDENTIAL AND PROPRIETARY INFORMATION AND ALL DESIGN, MANUFACTURING, REPRODUCTION, USE, PATENT RIGHTS AND SALES RIGHTS ARE EXPRESSLY RESERVED BY SAMTEC, INC. THIS DOCUMENT SHALL NOT BE DISCLOSED, IN WHOLE OR PART, TO ANY UNAUTHORIZED PERSON OR ENTITY NOR REPRODUCED, TRANSFERRED OR INCORPORATED IN ANY OTHER PROJECT IN ANY MANNER WITHOUT THE EXPRESS WRITTEN CONSENT OF SAMTEC, INC.



520 PARK EAST BLVD, NEW ALBANY, IN 47150
PHONE: 812-944-6733 FAX: 812-948-5047
e-Mail info@SAMTEC.com code 55322

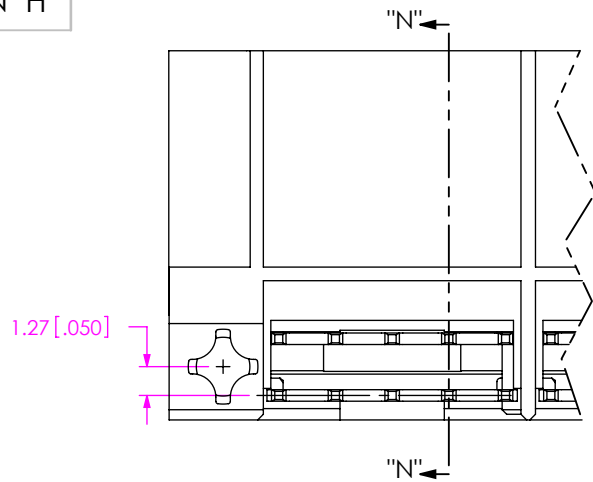
DO NOT SCALE DRAWING

SHEET SCALE: 1:1

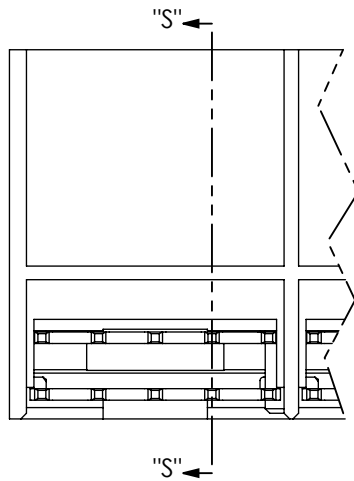
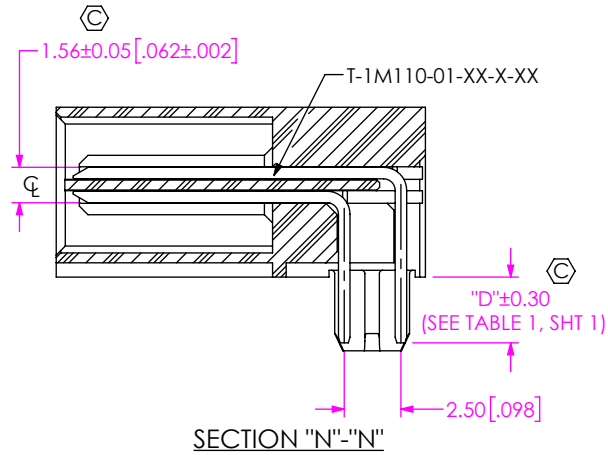
DESCRIPTION:
LPHT-RA TERMINAL ASSEMBLY

DWG. NO.
LPHT-XX-XX-X-RTX-XX

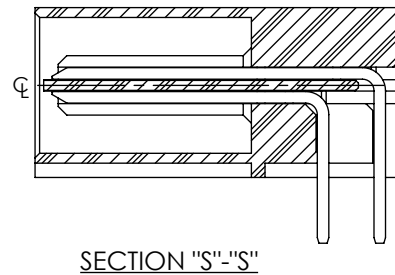
BY: ROY LUO 11/28/2011 SHEET 6 OF 8



IN-PROCESS 13
(GP OPTION)
(FILL POWER TOP ROW)



IN-PROCESS 13
(NO GP OPTION)
(FILL POWER TOP ROW)



F:\DWG\MISC\MKTG\LPHT-XX-XX-X-RTX-XX-MKT.SLDDRW

PROPRIETARY NOTE
THIS DOCUMENT CONTAINS CONFIDENTIAL AND PROPRIETARY INFORMATION AND ALL DESIGN, MANUFACTURING, REPRODUCTION, USE, PATENT RIGHTS AND SALES RIGHTS ARE EXPRESSLY RESERVED BY SAMTEC, INC. THIS DOCUMENT SHALL NOT BE DISCLOSED, IN WHOLE OR PART, TO ANY UNAUTHORIZED PERSON OR ENTITY NOR REPRODUCED, TRANSFERRED OR INCORPORATED IN ANY OTHER PROJECT IN ANY MANNER WITHOUT THE EXPRESS WRITTEN CONSENT OF SAMTEC, INC.

DO NOT SCALE DRAWING

SHEET SCALE: 3:1



520 PARK EAST BLVD, NEW ALBANY, IN 47150
PHONE: 812-944-6733 FAX: 812-948-5047
e-Mail info@SAMTEC.com code 55322

DESCRIPTION:
LPHT-RA TERMINAL ASSEMBLY

DWG. NO.
LPHT-XX-XX-X-RTX-XX

BY: ROY LUO 11/28/2011 SHEET 7 OF 8

TABLE 2 SIGNAL/POWER COMBO -A-GP

SIGNAL POS	02 POWER POS			04 POWER POS			06 POWER POS			08 POWER POS		
	"A"	"B"	"C"	"A"	"B"	"C"	"A"	"B"	"C"	"A"	"B"	"C"
12	31.43 [1.237]	24.09 [0.948]	25.92 [1.020]	43.43 [1.710]	36.09 [1.421]	37.92 [1.493]	55.43 [2.182]	48.09 [1.893]	49.92 [1.965]	67.43 [2.655]	60.09 [2.366]	61.92 [2.438]
16	33.97 [1.337]	26.63 [1.048]	28.46 [1.120]	45.97 [1.810]	38.63 [1.521]	40.46 [1.593]	57.97 [2.282]	50.63 [1.993]	52.46 [2.065]	69.97 [2.755]	62.63 [2.466]	64.46 [2.538]
20	36.51 [1.437]	29.17 [1.148]	31.00 [1.220]	48.51 [1.910]	41.17 [1.621]	43.00 [1.693]	60.51 [2.382]	53.17 [2.093]	55.00 [2.165]	72.51 [2.855]	65.17 [2.566]	67.00 [2.638]
24	39.05 [1.537]	31.71 [1.248]	33.54 [1.320]	51.05 [2.010]	43.71 [1.721]	45.54 [1.793]	63.05 [2.482]	55.71 [2.193]	57.54 [2.265]	75.05 [2.955]	67.71 [2.666]	69.54 [2.738]
28	41.59 [1.637]	34.25 [1.348]	36.08 [1.420]	53.59 [2.110]	46.25 [1.821]	48.08 [1.893]	65.59 [2.582]	58.25 [2.293]	60.08 [2.365]	77.59 [3.055]	70.25 [2.766]	72.08 [2.838]
32	44.13 [1.737]	36.79 [1.448]	38.62 [1.520]	56.13 [2.210]	48.79 [1.921]	50.62 [1.993]	68.13 [2.682]	60.79 [2.393]	62.62 [2.465]	80.13 [3.155]	72.79 [2.866]	74.62 [2.938]
36	46.67 [1.837]	39.33 [1.548]	41.16 [1.620]	58.67 [2.310]	51.33 [2.021]	53.16 [2.093]	70.67 [2.782]	63.33 [2.493]	65.16 [2.565]	82.67 [3.255]	75.33 [2.966]	77.16 [3.038]
40	49.21 [1.937]	41.87 [1.648]	43.70 [1.720]	61.21 [2.410]	53.87 [2.121]	55.70 [2.193]	73.21 [2.882]	65.87 [2.593]	67.70 [2.665]	85.21 [3.355]	77.87 [3.066]	79.70 [3.138]

TABLE 2 SIGNAL/POWER COMBO -A-GP CONTINUED

SIGNAL POS	10 POWER POS			12 POWER POS			14 POWER		
	"A"	"B"	"C"	"A"	"B"	"C"	"A"	"B"	"C"
12	79.43 [3.127]	72.09 [2.838]	73.92 [2.910]	91.43 [3.600]	84.09 [3.311]	85.92 [3.383]	103.43 [4.072]	96.09 [3.783]	97.92 [3.855]
16	81.97 [3.227]	74.63 [2.938]	76.46 [3.010]	93.97 [3.700]	86.63 [3.411]	88.46 [3.483]	105.97 [4.172]	98.63 [3.883]	100.46 [3.955]
20	84.51 [3.327]	77.17 [3.038]	79.00 [3.110]	96.51 [3.800]	89.17 [3.511]	91.00 [3.583]	108.51 [4.272]	101.17 [3.983]	103.00 [4.055]
24	87.05 [3.427]	79.71 [3.138]	81.54 [3.210]	99.05 [3.900]	91.71 [3.611]	93.54 [3.683]	111.05 [4.372]	103.71 [4.083]	105.54 [4.155]
28	89.59 [3.527]	82.25 [3.238]	84.08 [3.310]	101.59 [4.000]	94.25 [3.711]	96.08 [3.783]	113.59 [4.472]	106.25 [4.183]	108.08 [4.255]
32	92.13 [3.627]	84.79 [3.338]	86.62 [3.410]	104.13 [4.100]	96.79 [3.811]	98.62 [3.883]	116.13 [4.572]	108.79 [4.283]	110.62 [4.355]
36	94.67 [3.727]	87.33 [3.438]	89.16 [3.510]	106.67 [4.200]	99.33 [3.911]	101.16 [3.983]	118.67 [4.672]	111.33 [4.383]	113.16 [4.455]
40	97.21 [3.827]	89.87 [3.538]	91.70 [3.610]	109.21 [4.300]	101.87 [4.011]	103.70 [4.083]	121.21 [4.772]	113.87 [4.483]	115.70 [4.555]

TABLE 3 SIGNAL/POWER COMBO (NO GP OPTIONS)

SIGNAL POS	02 POWER	04 POWER	06 POWER	08 POWER	10 POWER	12 POWER	14 POWER
	"A"	"A"	"A"	"A"	"A"	"A"	"A"
12	23.96 [0.943]	35.96 [1.416]	47.96 [1.888]	59.96 [2.361]	71.96 [2.833]	83.96 [3.306]	95.96 [3.778]
16	26.50 [1.043]	38.50 [1.516]	50.50 [1.988]	62.50 [2.461]	74.50 [2.933]	86.50 [3.406]	98.50 [3.878]
20	29.04 [1.143]	41.04 [1.616]	53.04 [2.088]	65.04 [2.561]	77.04 [3.033]	89.04 [3.506]	101.04 [3.978]
24	31.58 [1.243]	43.58 [1.716]	55.58 [2.188]	67.58 [2.661]	79.58 [3.133]	91.58 [3.606]	103.58 [4.078]
28	34.12 [1.343]	46.12 [1.816]	58.12 [2.288]	70.12 [2.761]	82.12 [3.233]	94.12 [3.706]	106.12 [4.178]
32	36.66 [1.443]	48.66 [1.916]	60.66 [2.388]	72.66 [2.861]	84.66 [3.333]	96.66 [3.806]	108.66 [4.278]
36	39.20 [1.543]	51.20 [2.016]	63.20 [2.488]	75.20 [2.961]	87.20 [3.433]	99.20 [3.906]	111.20 [4.378]
40	41.74 [1.643]	53.74 [2.116]	65.74 [2.588]	77.74 [3.061]	89.74 [3.533]	101.74 [4.006]	113.74 [4.478]

TABLE 4

SIGNAL POS	"F"	"G"
12	6.35 [0.250]	6.35 [0.250]
16	8.89 [0.350]	8.89 [0.350]
20	11.43 [0.450]	11.43 [0.450]
24	13.97 [0.550]	13.97 [0.550]
28	16.51 [0.650]	16.51 [0.650]
32	19.05 [0.750]	19.05 [0.750]
36	21.59 [0.850]	21.59 [0.850]
40	24.13 [0.950]	24.13 [0.950]

PROPRIETARY NOTE

THIS DOCUMENT CONTAINS CONFIDENTIAL AND PROPRIETARY INFORMATION AND ALL DESIGN, MANUFACTURING, REPRODUCTION, USE, PATENT RIGHTS AND SALES RIGHTS ARE EXPRESSLY RESERVED BY SAMTEC, INC. THIS DOCUMENT SHALL NOT BE DISCLOSED, IN WHOLE OR PART, TO ANY UNAUTHORIZED PERSON OR ENTITY NOR REPRODUCED, TRANSFERRED OR INCORPORATED IN ANY OTHER PROJECT IN ANY MANNER WITHOUT THE EXPRESS WRITTEN CONSENT OF SAMTEC, INC.

DO NOT SCALE DRAWING

SHEET SCALE: 1:1



520 PARK EAST BLVD, NEW ALBANY, IN 47150
 PHONE: 812-944-6733 FAX: 812-948-5047
 e-Mail info@SAMTEC.com code 55322

DESCRIPTION:
 LPHT-RA TERMINAL ASSEMBLY

DWG. NO.
 LPHT-XX-XX-X-RTX-XX

BY: ROY LUO 11/28/2011 SHEET 8 OF 8