

FIG 1
MCPK-8-S SHOWN

DO NOT
SCALE FROM
THIS PRINT

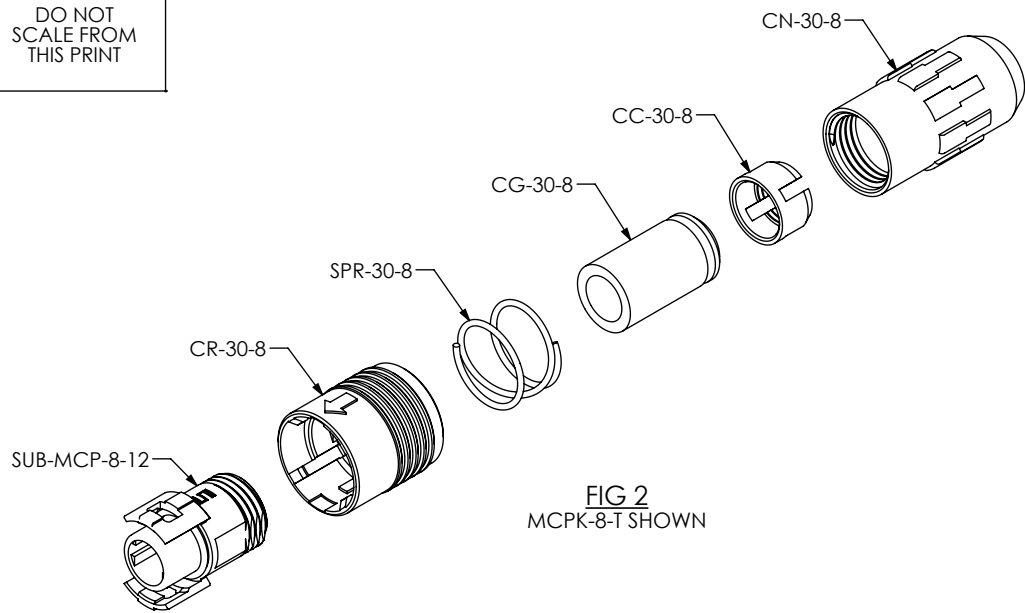
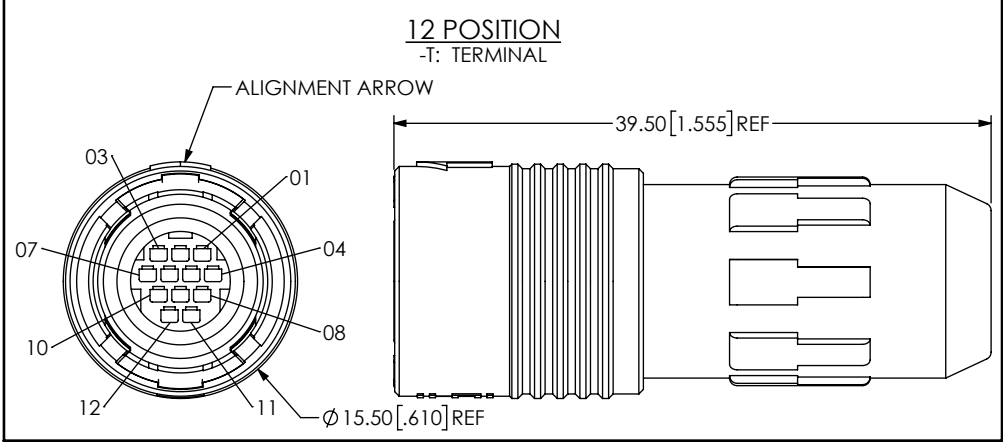
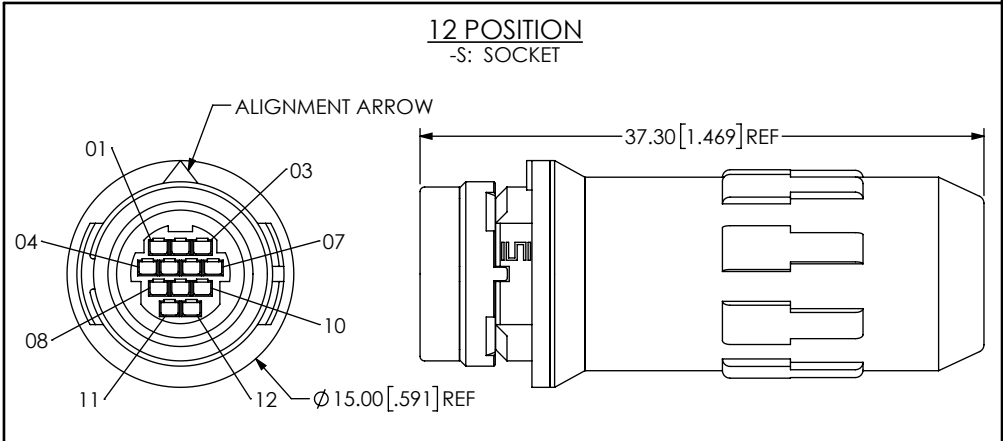


FIG 2
MCPK-8-T SHOWN

- NOTES:
1. Ⓢ REPRESENTS A CRITICAL DIMENSION.
 2. COMPONENTS TO BE PACKAGED PER PACKAGING STANDARDS, REFERENCE PACKAGING MANUAL.
 3. TORQUE SPECIFICATION FOR CN-30-8 (CABLE NUT): 0.5 Nm [4.4 IN-LBS]
 4. CABLE DIAMETER RANGE SPECIFICATION: 6.20[.244] - 7.00[.276]
 5. -T (TERMINAL): REFERENCE DCA-MCP-8 PRINT FOR TERMINAL DUSTCAP
 -S (SOCKET): REFERENCE DCA-MCR-8 PRINT FOR SOCKET DUSTCAP
 6. PLACE HDRL-07 (LABEL) ON BAG. LABEL TO HAVE THE FOLLOWING PRINTED IN ARIAL FONT SIZE 9:
 LINE 1 - "FOR ASSEMBLY INSTRUCTIONS SEE"
 LINE 2 - "WWW.SAMTEC.COM/MCPKFTK"
 LINE 3 - PART NUMBER "XXXXXX"
 LINE 4 - SHOP ORDER NUMBER "XXXXXX"
 7. -T (TERMINAL): REFERENCE TC114-XXXX-X-X PRINT FOR TERMINALS.
 -S (SOCKET): REFERENCE CC393-XXXX-X-X PRINT FOR CONTACTS.



UNLESS OTHERWISE SPECIFIED,
DIMENSIONS ARE IN MILLIMETERS.
TOLERANCES ARE:
 DECIMALS ANGLES
 X.X: ±0.3 [.01] 2°
 X.XX: ±0.13 [.005]
 X.XXX: ±0.051 [.0020]

PROPRIETARY NOTE
 THIS DOCUMENT CONTAINS INFORMATION
 CONFIDENTIAL AND PROPRIETARY TO
 SAMTEC, INC. AND SHALL NOT BE REPRODUCED
 OR TRANSFERRED TO OTHER DOCUMENTS OR
 DISCLOSED TO OTHERS OR USED FOR ANY
 PURPOSE OTHER THAN THAT WHICH IT WAS
 OBTAINED WITHOUT THE EXPRESSED WRITTEN
 CONSENT OF SAMTEC, INC.

samtec
 520 PARK EAST BLVD, NEW ALBANY, IN 47150
 PHONE: 812-944-6733 FAX: 812-948-5047
 e-Mail info@SAMTEC.com code 53322

MATERIAL: DO NOT SCALE DRAWING SHEET SCALE: 1:1
 INSULATORS, CABLE NUT, C-RING: PPS
 GASKET, O-RING: SILICONE
 SPRING: STAINLESS STEEL
 COUPLING RING, SPACER: PBT
 CABLE CLAMP: POM

DESCRIPTION:
 MINI CIRC. CABLE KIT
 DWG. NO.
MCPK-8-X