

TABLE 3

EDGE MOUNT OPTION	"B"	"C"	"D"	"E"	"F"
-EM1	.016 [1.41]	.027 [1.69]	.185 [4.70]	.050 [1.27]	.126 [3.20]
-EM2	.054 [1.37]	.058 [1.47]	.195 [4.95]	.070 [3.12]	.108 [2.74]

TABLE 1

CARD SLOT THICKNESS	"A"	"G"
-.02	.072 [1.83]	.0265[.673]

MEC1-1XX-XX-XX-D-EMX-XX-XX

No OF POSITIONS
 -05, -08, -20, -30,
 -40, -50, -60 & -70
 (PER ROW)

PACKAGING
 BLANK: TRAY (SEE NOTES 9 & 10)
 -TR: TAPE & REEL (SEE NOTES 10 & 11)
 -FR: FULL REEL QTY TAPE & REEL
 (SEE NOTES 10 & 11)
 (SEE PAGE 2 TAPE & REEL PACKAGE VIEW,
 -TR & -FR NOT AVAILABLE FOR -60 OR -70 POS)

CARD SLOT THICKNESS
 -.02: .062 THICK CARD
 (USE MEC1-XX-S-D-EMX-X)
 (SEE TABLE 1)

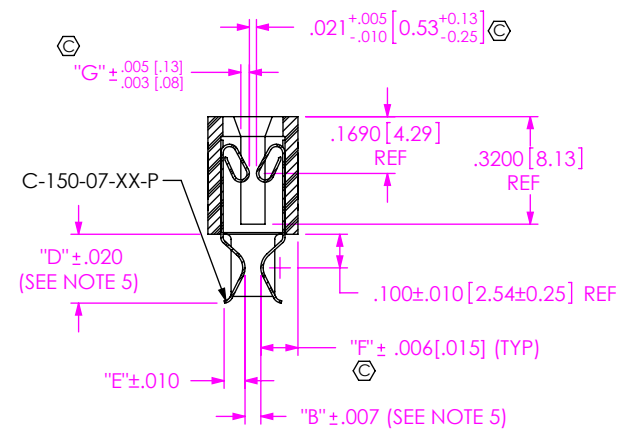
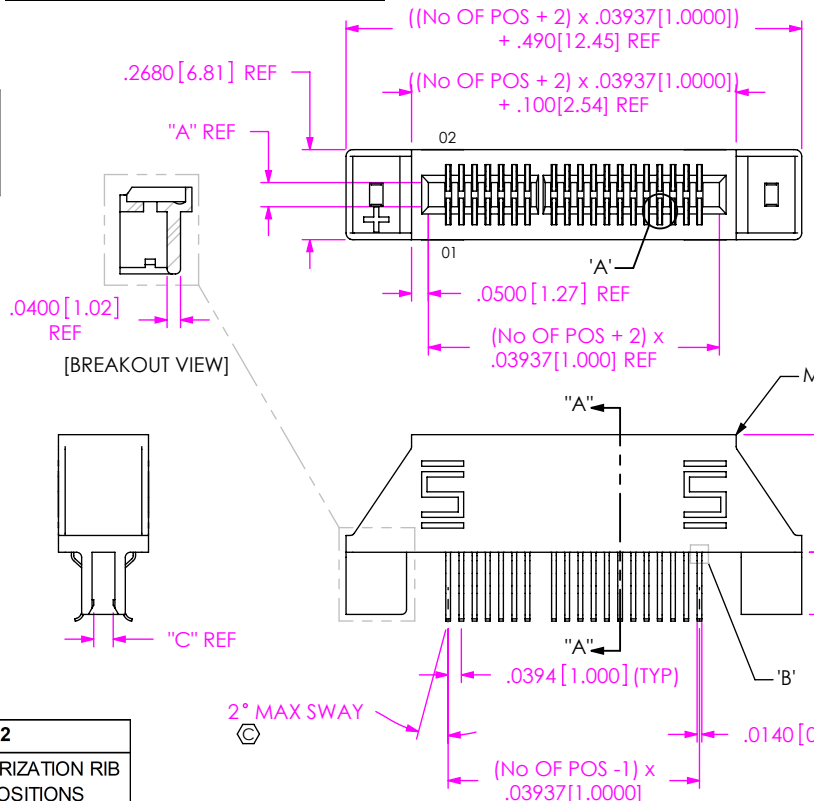
OPTIONS
 -NP: NO POLARIZED POSITION
 (USE MEC1-XX-X-D-EMX-N)
 (ONLY AVAILABLE ON -05,
 -08, -20 & -30 POSITIONS)
 -BLANK: BODY IS POLARIZED

EDGE MOUNT OPTION
 -EM1: .031 THICK PCB
 (SEE TABLE 3)
 -EM2: .062 THICK PCB
 (SEE TABLE 3)

ROW SPECIFICATION
 -D: DOUBLE
 (USE MEC1-XX-X-D-EMX-X)

PLATING
 -F: FLASH GOLD
 (USE C-150-07-F-P)
 -L: LIGHT SELECTIVE GOLD
 (USE C-150-07-L-P)
 -S: SELECTIVE GOLD
 (USE C-150-07-S-P)
 -FM: FLASH GOLD SELECTIVE, MATTE TIN TAIL
 (USE C-150-07-F-P)
 -LM: LIGHT SELECTIVE GOLD, MATTE TIN TAIL
 (USE C-150-07-L-P)
 -SM: SELECTIVE GOLD, MATTE TIN TAIL
 (USE C-150-07-S-P)

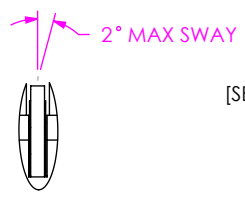
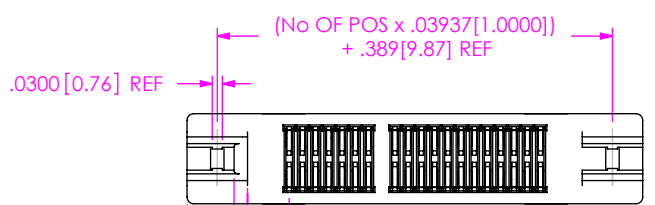
DO NOT
 SCALE FROM
 THIS PRINT



SECTION "A"-"A"
 (SEE CONTACT IN-PROCESS VIEW)

TABLE 2

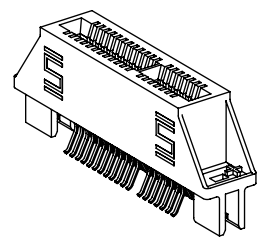
POSITIONS	POLARIZATION RIB POSITIONS
-05	03 & 04
-08	05 & 06
-20	15 & 16
-30	21 & 22
-40	31 & 32
-50	41 & 42
-60	31 & 32, 63 & 64
-70	53 & 54, 115 & 116



DETAIL 'A'
 SCALE 6 : 1

TABLE 4

POSITIONS	MAX BOW (T/B)
-05 THRU -20	.0025[.064]
-30 THRU -50	.0040[.102]
-60 THRU -70	.0055[.140]



- NOTES:
1. C REPRESENTS A CRITICAL DIMENSION.
 2. BURR ALLOWANCE: .0015[.038] MAX.
 3. MINIMUM PUSHOUT FORCE: .5 LB.
 4. DELETED.
 5. .020[.51] MAX VARIATION ON ONE PART.
 6. .0040[.102] MAX ALLOWABLE BURR ON TAILS.
 7. DELETED.
 8. .0050[.127] MAX BARB PROTRUSION BELOW BODY.
 9. TRAYS ARE STANDARD PACKAGING.
 10. ORDERS WILL BE PACKAGED ACCORDING TO THE SAMTEC PACKAGING EFFICIENCY STANDARDS (SPES) FOUND ON WWW.SAMTEC.COM.
 11. ATTACH LABEL -4X2 TO EACH REEL.

UNLESS OTHERWISE SPECIFIED, DIMENSIONS ARE IN INCHES. TOLERANCES ARE:
 DECIMALS ANGLES
 .XX: $\pm .01$ [.3]
 .XXX: $\pm .005$ [.13]
 .XXXX: $\pm .0020$ [.051]

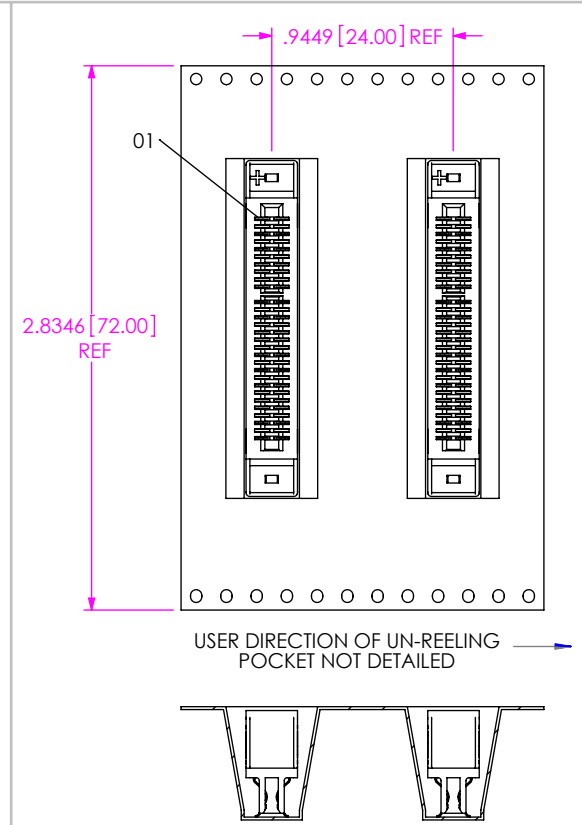
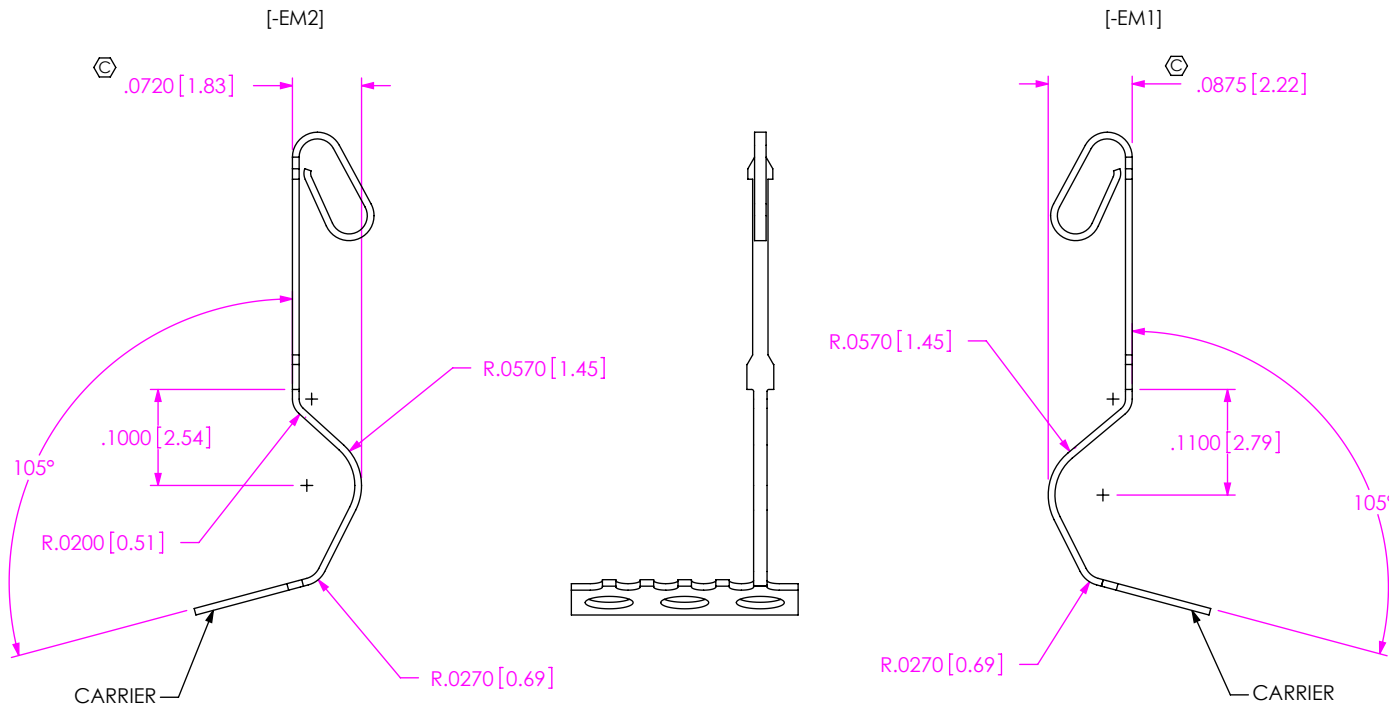
PROPRIETARY NOTE
 THIS DOCUMENT CONTAINS CONFIDENTIAL AND PROPRIETARY INFORMATION AND ALL DESIGN, MANUFACTURING, REPRODUCTION, USE, PATENT RIGHTS AND SALES RIGHTS ARE EXPRESSLY RESERVED BY SAMTEC, INC. THIS DOCUMENT SHALL NOT BE DISCLOSED, IN WHOLE OR PART, TO ANY UNAUTHORIZED PERSON OR ENTITY NOR REPRODUCED, TRANSFERRED OR INCORPORATED IN ANY OTHER PROJECT IN ANY MANNER WITHOUT THE EXPRESS WRITTEN CONSENT OF SAMTEC, INC.



520 PARK EAST BLVD, NEW ALBANY, IN 47150
 PHONE: 812-944-6733 FAX: 812-948-5047
 e-Mail: info@SAMTEC.com code: 55322

MATERIAL: DO NOT SCALE DRAWING SHEET SCALE: 1.75:1
 INSULATOR: LCP, COLOR: BLACK
 CONTACT: PHOS BRONZE

DESCRIPTION: 1mm MINI-EDGE, EDGE MOUNT ASSEMBLY
DWG. NO. MEC1-1XX-XX-XX-D-EMX-XX-XX
BY: KEVIN B 5/19/2000 SHEET 1 OF 3



TAPE & REEL PACKAGING VIEW
MEC1-130-02-XX-D-EM2-XR SHOWN

PACKAGING VIEW
[PARTS TO HAVE POSITION #1 LOADED
IN SAME DIRECTION FOR ALL PARTS]

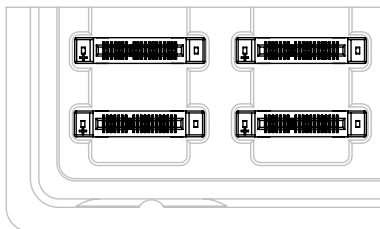
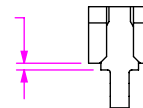


TABLE 6		PARTS PER TRAY
POSITIONS	USE TRAY	
-05	TRAY-MEC1001-PR-05-AP-T-B	66
-08	TRAY-MEC1002-PR-08-AP-T-B	66
-20	TRAY-MEC1003-PR-20-AP-T-B	55
-30	TRAY-MEC1004-PR-30-AP-T-B	11
-40	TRAY-MEC1005-PR-40-AP-T-B	33
-50	TRAY-MEC1006-PR-50-AP-T-B	33
-60	TRAY-MEC1007-PR-60-AP-T-B	22
-70	TRAY-MEC1008-PR-70-AP-T-B	22

⊕ .0050 [0.13] MAX
(SEE NOTE 8)



DETAIL 'B'
SCALE 7 : 1

PROPRIETARY NOTE
THIS DOCUMENT CONTAINS CONFIDENTIAL AND PROPRIETARY INFORMATION AND ALL DESIGN, MANUFACTURING, REPRODUCTION, USE, PATENT RIGHTS AND SALES RIGHTS ARE EXPRESSLY RESERVED BY SAMTEC, INC. THIS DOCUMENT SHALL NOT BE DISCLOSED, IN WHOLE OR PART, TO ANY UNAUTHORIZED PERSON OR ENTITY NOR REPRODUCED, TRANSFERRED OR INCORPORATED IN ANY OTHER PROJECT IN ANY MANNER WITHOUT THE EXPRESS WRITTEN CONSENT OF SAMTEC, INC.

DO NOT SCALE DRAWING

SHEET SCALE: 1:75:1

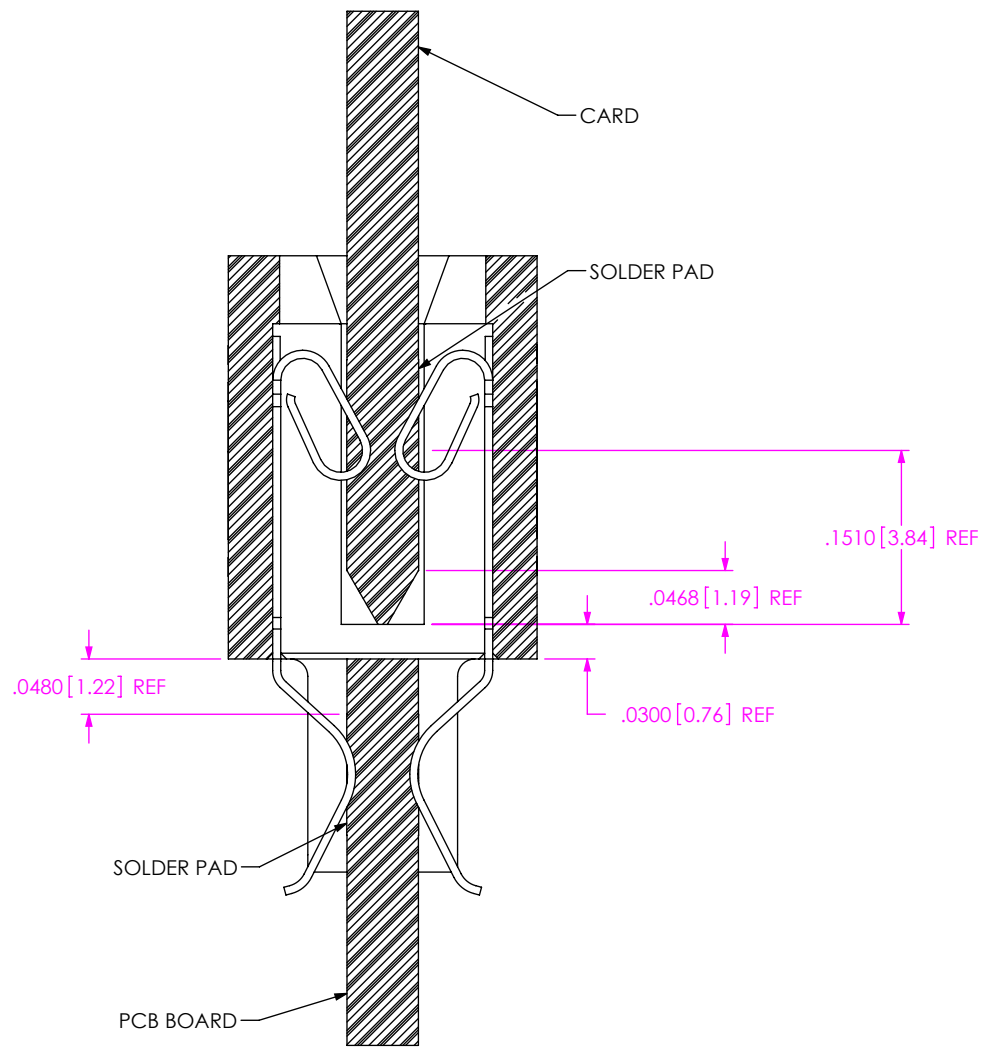


520 PARK EAST BLVD, NEW ALBANY, IN 47150
PHONE: 812-944-6733 FAX: 812-948-5047
e-Mail: info@SAMTEC.com code: 55322

DESCRIPTION:
1mm MINI-EDGE, EDGE MOUNT ASSEMBLY

DWG. NO.
MEC1-1XX-XX-XX-D-EMX-XX-XX

BY: KEVIN B 5/19/2000 SHEET 2 OF 3



APPLICATION VIEW

PROPRIETARY NOTE
 THIS DOCUMENT CONTAINS CONFIDENTIAL AND PROPRIETARY INFORMATION AND ALL DESIGN, MANUFACTURING, REPRODUCTION, USE, PATENT RIGHTS AND SALES RIGHTS ARE EXPRESSLY RESERVED BY SAMTEC, INC. THIS DOCUMENT SHALL NOT BE DISCLOSED, IN WHOLE OR PART, TO ANY UNAUTHORIZED PERSON OR ENTITY NOR REPRODUCED, TRANSFERRED OR INCORPORATED IN ANY OTHER PROJECT IN ANY MANNER WITHOUT THE EXPRESS WRITTEN CONSENT OF SAMTEC, INC.

DO NOT SCALE DRAWING

SHEET SCALE: 1:75:1



520 PARK EAST BLVD, NEW ALBANY, IN 47150
 PHONE: 812-944-6733 FAX: 812-948-5047
 e-Mail: info@SAMTEC.com code: 55322

DESCRIPTION:
 1mm MINI-EDGE, EDGE MOUNT ASSEMBLY

DWG. NO.
 MEC1-1XX-XX-XX-D-EMX-XX-XX

BY: KEVIN B 5/19/2000 SHEET 3 OF 3