

DO NOT SCALE FROM THIS PRINT

NOTES:

1. $\text{\textcircled{C}}$ REPRESENTS A CRITICAL DIMENSION.
2. MINIMUM PUSH OUT FORCE: 1N [.25 LB]
3. MAXIMUM HEIGHT VARIATION BETWEEN ANY TWO POSTS: 0.13[.005].
4. MAXIMUM ALLOWABLE BOW: 0.05[.002] MM/MM AFTER ASSEMBLY.
5. NOTE DELETED.
6. OR-104-01 TO BE COMPRESSED 20-40% TO MEET CEI/IEC 60529 CODE IP67.
7. NOTE DELETED.
8. EPOXY-01 MUST BE FLUSH OR BELOW FORMED BY THIS SURFACE.
9. INSPECT 100% USING GO/NOGO GAUGE, REFER TO PTL.
10. ORDERS WILL BE PACKAGED ACCORDING TO THE SAMTEC PACKAGING EFFICIENCY STANDARDS (SPES) FOUND ON WWW.SAMTEC.COM.
11. ATTACH LABEL TO EACH REEL.

DESIGNED & DIMENSIONED IN MILLIMETERS[INCHES]

MUSBS-05-S-B-TH-XX-XR

No. OF POSITIONS
-05

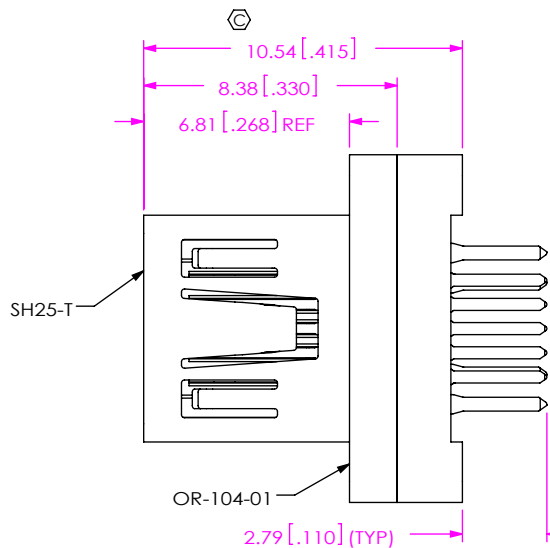
PLATING SPECIFICATION
-S: SELECTIVE .000030 GOLD ON POST, TIN ON TAIL, WITH .000050 MIN NICKEL UNDERPLATING OVERALL.

TYPE
-B

TAPE & REEL (SEE NOTES 10 & 11)
-TR: TAPE & REEL
-FR: FULL REEL QTY TAPE & REEL

OPTION
*-PF: PANEL FLANGE (LEAVE BLANK FOR NO MOUNTING HARDWARE)

TERMINATION
-TH: THROUGH HOLE



* NOT TOOLED

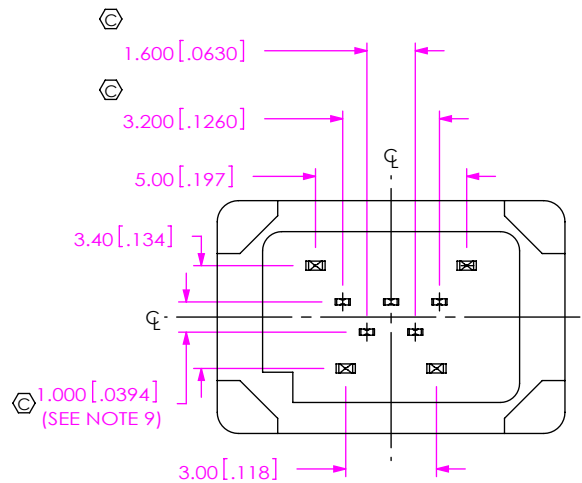
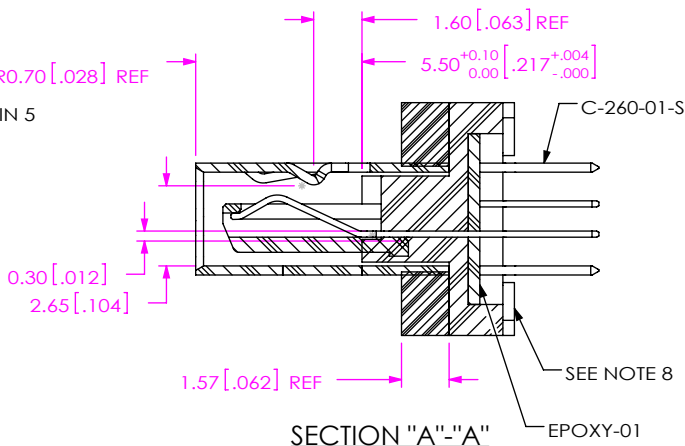
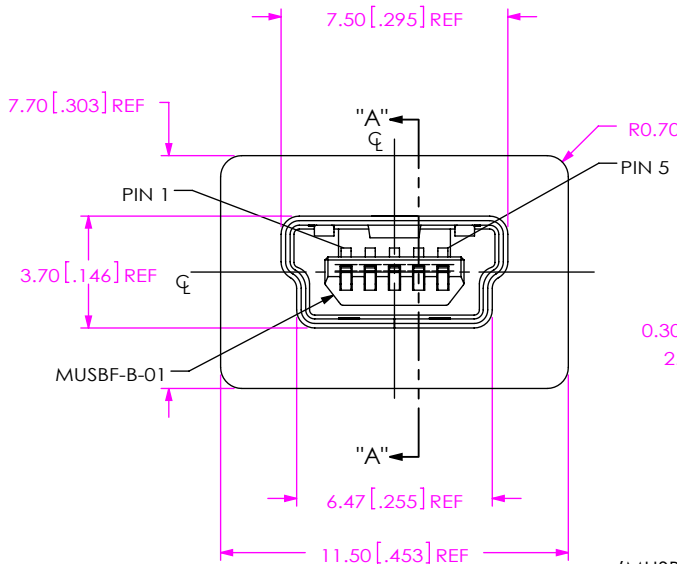
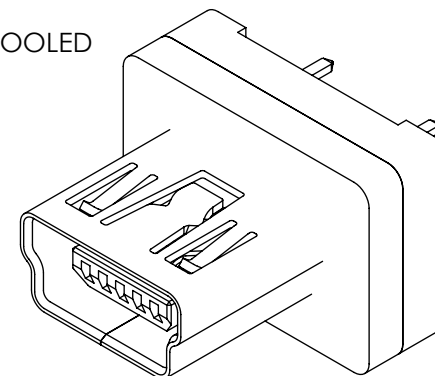


FIG 1 (MUSBS-05-S-B-TH SHOWN)

UNLESS OTHERWISE SPECIFIED, DIMENSIONS ARE IN MILLIMETERS. TOLERANCES ARE:
DECIMALS ANGLES
X.X: ±0.3 [.01] 2°
X.XX: ±0.13 [.005]
X.XXX: ±0.051 [.0020]

MATERIAL: DO NOT SCALE DRAWING
INSULATOR: LCP UL 94V-0 COLOR: BLACK
CONTACT: PHOS BRONZE
OVERMOLD: E130I, COLOR: BLACK
MAX REGRIND: 50%
EPOXY-01 VOLUME: 0.02mL [.00 000 528 gal]
MUSBS OVERMOLD SHOT WEIGHT: 4.90g [0.0108 lb]
F:\DWG\MISC\MKTG\MUSBS-05-S-B-TH-XX-XR-MKT.SLDDRW

PROPRIETARY NOTE
THIS DOCUMENT CONTAINS CONFIDENTIAL AND PROPRIETARY INFORMATION AND ALL DESIGN, MANUFACTURING, REPRODUCTION, USE, PATENT RIGHTS AND SALES RIGHTS ARE EXPRESSLY RESERVED BY SAMTEC, INC. THIS DOCUMENT SHALL NOT BE DISCLOSED, IN WHOLE OR PART, TO ANY UNAUTHORIZED PERSON OR ENTITY NOR REPRODUCED, TRANSFERRED OR INCORPORATED IN ANY OTHER PROJECT IN ANY MANNER WITHOUT THE EXPRESS WRITTEN CONSENT OF SAMTEC, INC.

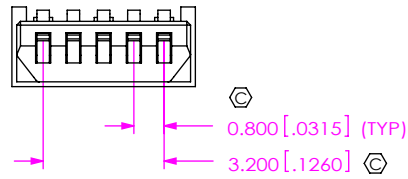
SHEET SCALE: 4:1

samtec
520 PARK EAST BLVD. NEW ALBANY, IN 47150
PHONE: 812-944-6733 FAX: 812-948-5047
e-Mail: info@SAMTEC.com code 55322

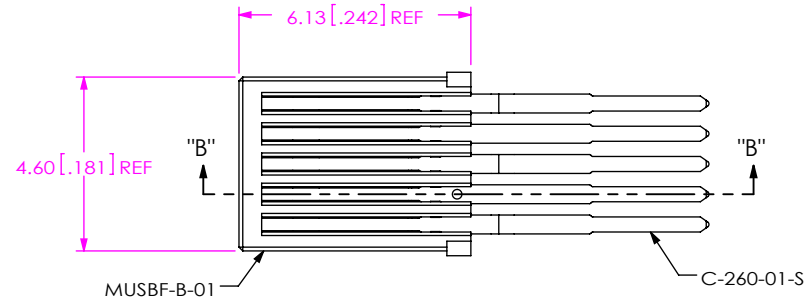
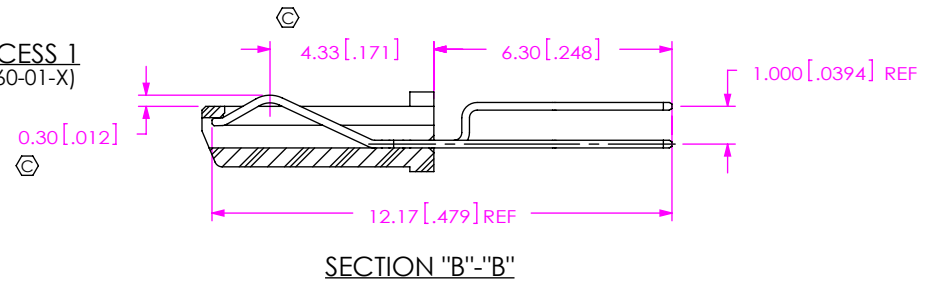
DESCRIPTION:
MUSB TYPE B, VERTICAL SEALED

DWG. NO.
MUSBS-05-S-B-TH-XX-XR

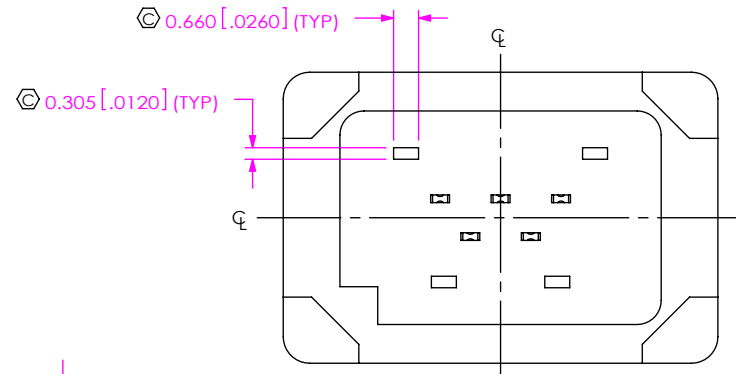
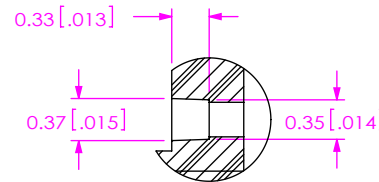
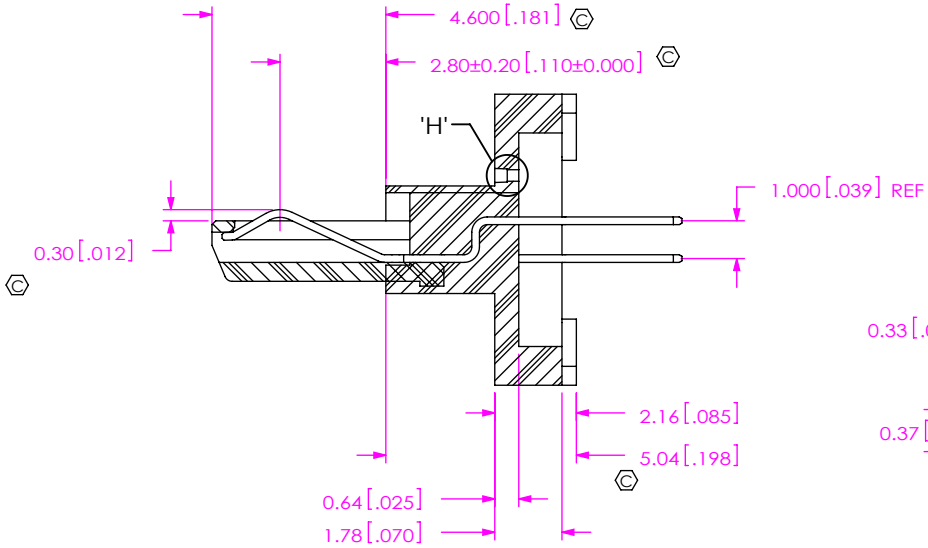
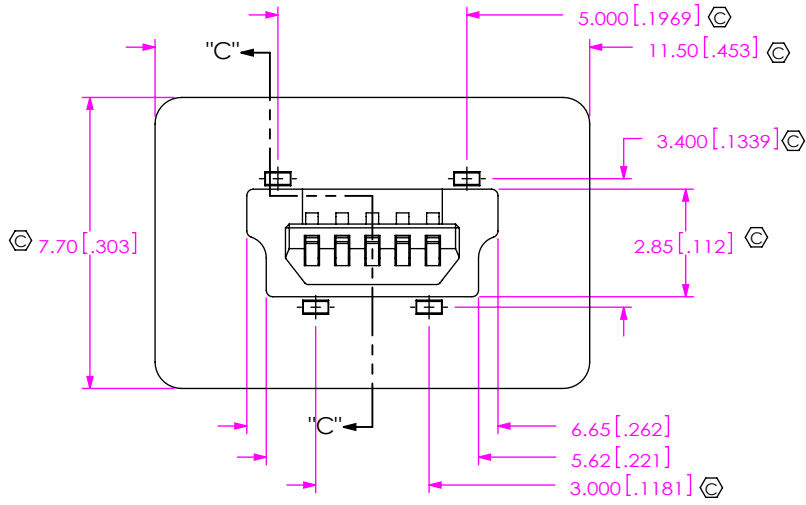
BY: T NEWTON 11/19/2008 SHEET 1 OF 4



IN-PROCESS 1
(FILL C-260-01-X)



IN-PROCESS 2
(ADD OVERMOLD)



PROPRIETARY NOTE
THIS DOCUMENT CONTAINS CONFIDENTIAL AND PROPRIETARY INFORMATION AND ALL DESIGN, MANUFACTURING, REPRODUCTION, USE, PATENT RIGHTS AND SALES RIGHTS ARE EXPRESSLY RESERVED BY SAMTEC, INC. THIS DOCUMENT SHALL NOT BE DISCLOSED, IN WHOLE OR PART, TO ANY UNAUTHORIZED PERSON OR ENTITY NOR REPRODUCED, TRANSFERRED OR INCORPORATED IN ANY OTHER PROJECT IN ANY MANNER WITHOUT THE EXPRESS WRITTEN CONSENT OF SAMTEC, INC.

DO NOT SCALE DRAWING

SHEET SCALE: 5:1

samtec

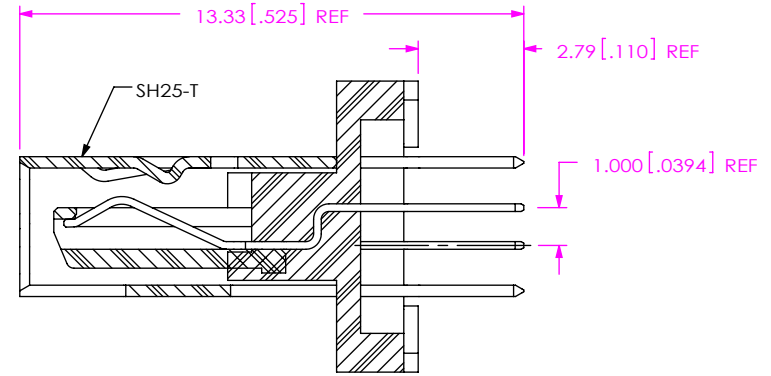
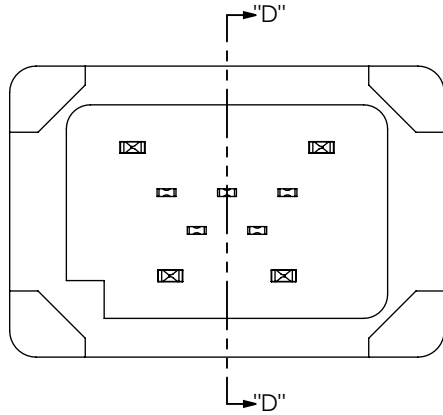
520 PARK EAST BLVD, NEW ALBANY, IN 47150
PHONE: 812-944-6733 FAX: 812-948-5047
e-Mail: info@SAMTEC.com code 55322

DESCRIPTION:
MUSB TYPE B, VERTICAL SEALED

DWG. NO.
MUSBS-05-S-B-TH-XX-XR

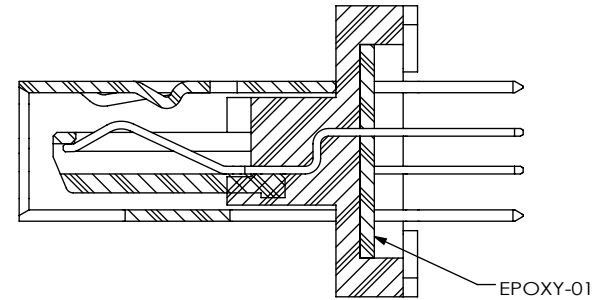
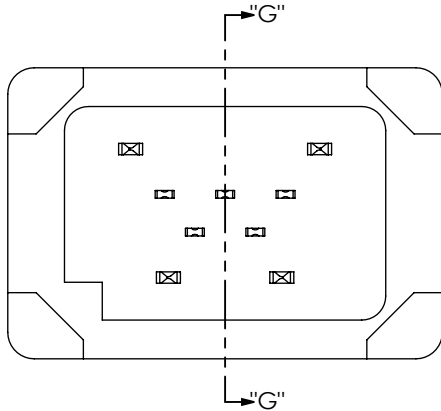
BY: T NEWTON 11/19/2008 SHEET 2 OF 4

IN-PROCESS 3
(ADD SH25-T)



SECTION "D"-"D"

IN-PROCESS 4
(ADD EPOXY-01)



SECTION "G"-"G"

PROPRIETARY NOTE
THIS DOCUMENT CONTAINS CONFIDENTIAL AND PROPRIETARY INFORMATION AND ALL DESIGN, MANUFACTURING, REPRODUCTION, USE, PATENT RIGHTS AND SALES RIGHTS ARE EXPRESSLY RESERVED BY SAMTEC, INC. THIS DOCUMENT SHALL NOT BE DISCLOSED, IN WHOLE OR PART, TO ANY UNAUTHORIZED PERSON OR ENTITY NOR REPRODUCED, TRANSFERRED OR INCORPORATED IN ANY OTHER PROJECT IN ANY MANNER WITHOUT THE EXPRESS WRITTEN CONSENT OF SAMTEC, INC.

DO NOT SCALE DRAWING

SHEET SCALE: 5:1



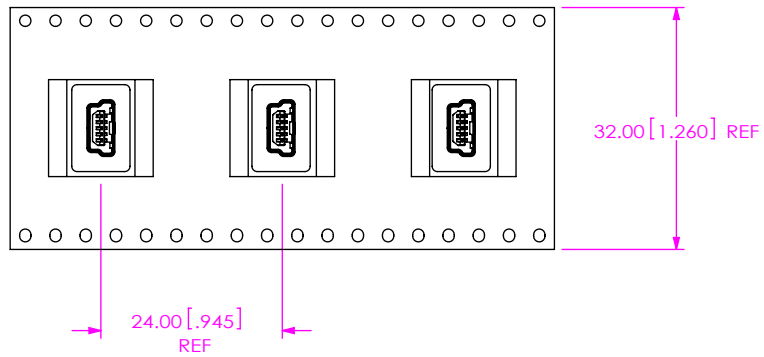
520 PARK EAST BLVD, NEW ALBANY, IN 47150
PHONE: 812-944-6733 FAX: 812-948-5047
e-Mail: info@SAMTEC.com code 55322

DESCRIPTION:
MUSB TYPE B, VERTICAL SEALED

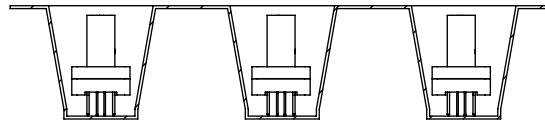
DWG. NO.
MUSBS-05-S-B-TH-XX-XR

BY: T NEWTON 11/19/2008 SHEET 3 OF 4

PACKAGING VIEW



USER DIRECTION OF UN-REELING →
POCKET NOT DETAILED



PROPRIETARY NOTE
 THIS DOCUMENT CONTAINS CONFIDENTIAL AND PROPRIETARY INFORMATION AND ALL DESIGN, MANUFACTURING, REPRODUCTION, USE, PATENT RIGHTS AND SALES RIGHTS ARE EXPRESSLY RESERVED BY SAMTEC, INC. THIS DOCUMENT SHALL NOT BE DISCLOSED, IN WHOLE OR PART, TO ANY UNAUTHORIZED PERSON OR ENTITY NOR REPRODUCED, TRANSFERRED OR INCORPORATED IN ANY OTHER PROJECT IN ANY MANNER WITHOUT THE EXPRESS WRITTEN CONSENT OF SAMTEC, INC.

DO NOT SCALE DRAWING

SHEET SCALE: 1:1



520 PARK EAST BLVD, NEW ALBANY, IN 47150
 PHONE: 812-944-6733 FAX: 812-948-5047
 e-Mail: info@SAMTEC.com code 55322

DESCRIPTION: MUSB TYPE B, VERTICAL SEALED

DWG. NO. MUSBS-05-S-B-TH-XX-XR

BY: T NEWTON 11/19/2008 SHEET 4 OF 4