

FIGURE 5
RECOMMENDED PCB LAYOUT
(FOR: -098)

(ALL DIMS ARE THE SAME AS BELOW UNLESS NOTED)

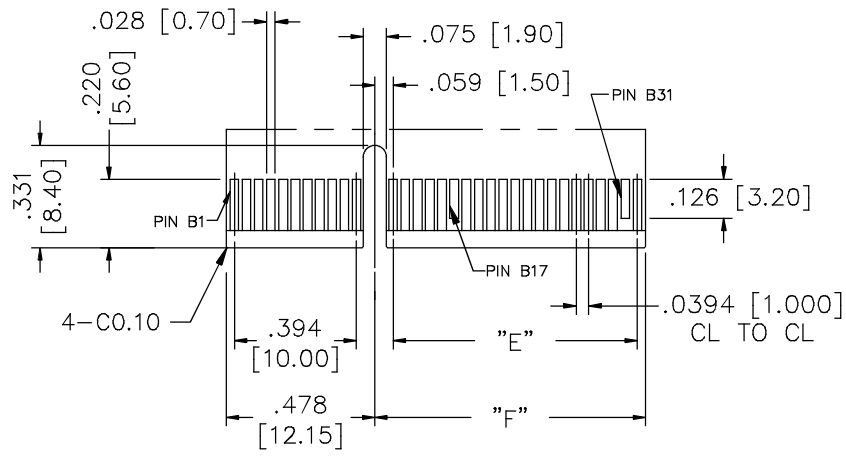


FIGURE 3
Primary (Component) Side

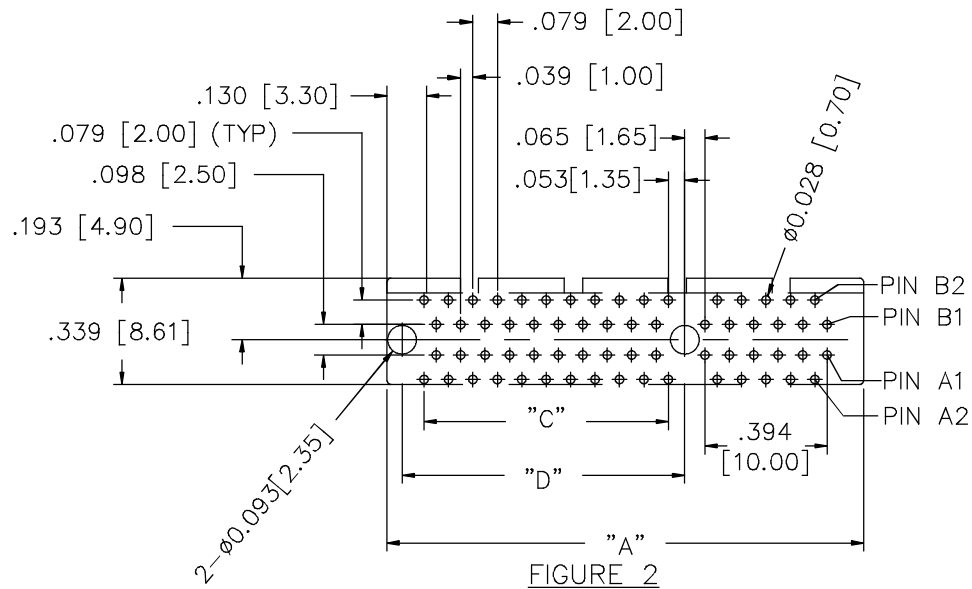
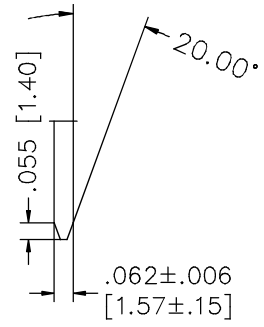


FIGURE 2
RECOMMENDED PCB LAYOUT
(FOR: -036, -064 & -164)

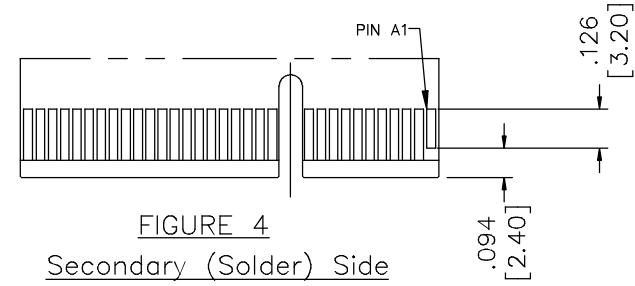


FIGURE 4
Secondary (Solder) Side

F:\DWG\MISC\MKTTG

UNLESS OTHERWISE SPECIFIED,
DIMENSIONS ARE INCHES [MM].
TOLERANCES ARE:

DECIMALS	HOLES
.X: ±.10	.X: ±.10
.XX: ±.020	.XX: ±.015
.XXX: ±.015	.XXX: ±.010

PROPRIETARY NOTE
THIS DOCUMENT CONTAINS INFORMATION
CONFIDENTIAL AND PROPRIETARY TO
SAMTEC INC. AND SHALL NOT BE
REPRODUCED OR TRANSFERRED TO
OTHER DOCUMENTS OR DISCLOSED TO
OTHERS OR USED FOR ANY PURPOSE
OTHER THAN THAT FOR WHICH IT WAS
OBTAINED WITHOUT THE EXPRESSED
WRITTEN CONSENT OF SAMTEC INC.

samtec

520 PARK EAST BLVD. NEW ALBANY, INDIANA 47150
PHONE (812) 944-6733 P.O. BOX 1147
CODE 55322

MADE BY:
HARPEAU 03/14/05

PCIE-XXX-02-X-D-TH
SHEET 2 OF 2