

ESD SENSITIVE

DO NOT SCALE FROM THIS PRINT

PCUO-XX-G4-XXX-0-X-X-X-XX

WIDTH
-04: x4 LANES
-08: x8 LANES

SPEED
-G4: GEN 4

ASSEMBLY LENGTH [cm]
-XXX: LENGTH (SEE TABLES 1, 2)

END OPTION
-01: MTP® 12F MALE
-21: MTP® 24F MALE

FIBER TYPE
-7: BLACK LOOSE TUBE WITH BOOT
-8: BLACK LOOSE TUBE

FIRMWARE
-1: STANDARD

HEAT SINK
-1: FLAT
-4: PCIe® PIN FIN

TABLE 1: PCUO-04 ASSEMBLY LENGTH LIMITS [cm]

FIBER TYPE	-7	MIN		MAX	
		END OPTION		HEAT SINK	
		-01	-4	-1	-4
-7	11	300	300		
-8	9	300	300		

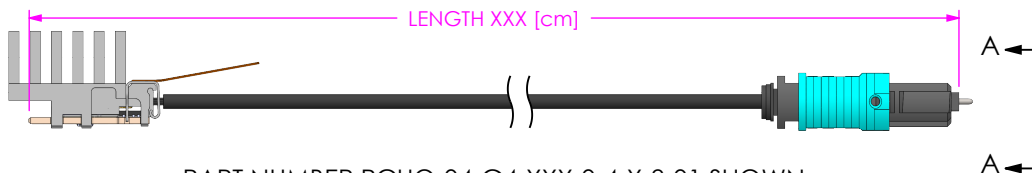
TABLE 2: LENGTH TOLERANCE

ASSEMBLY LENGTH [cm]	TOLERANCE [cm]*
000-016	±0.16%
017-999	±1%

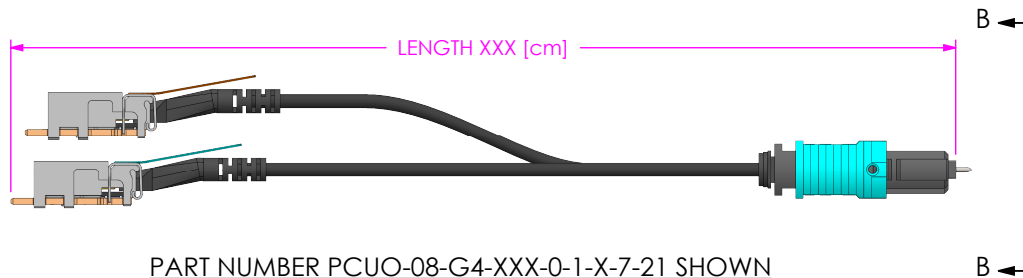
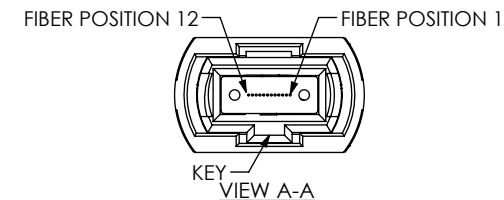
*ROUNDED TO 2 DECIMAL PLACES

TABLE 1: PCUO-08 ASSEMBLY LENGTH LIMITS [cm]

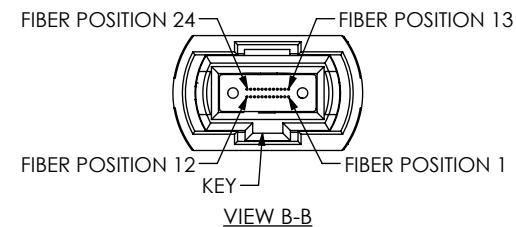
FIBER TYPE	-7	MIN		MAX	
		END OPTION		HEAT SINK	
		-01	-4	-1	-4
-7	13	300	300		
-8	11	300	300		



PART NUMBER PCUO-04-G4-XXX-0-4-X-8-01 SHOWN



PART NUMBER PCUO-08-G4-XXX-0-1-X-7-21 SHOWN



- NOTES:
1. FIREFLY MUST BE INSTALLED IN A NO-TENSION STATE FREE FROM DYNAMIC FLEXING
 2. ALL MTP® ARE INTERMATEABLE WITH CONNECTORS ADHERING TO TIA-604-5
 3. DUST CAPS REMOVED FROM ALL VIEWS FOR CLARITY
 4. YELLOW LATCH PINS NOT SHOWN FOR CLARITY. SEE FIREFLY INSTALLATION INSTRUCTIONS FOR MORE DETAILS.

UNLESS OTHERWISE SPECIFIED, DIMENSIONS ARE IN MILLIMETERS. ALL DIMENSIONS ARE FOR REFERENCE ONLY

PROPRIETARY NOTE
THIS DOCUMENT CONTAINS CONFIDENTIAL AND PROPRIETARY INFORMATION AND ALL DESIGN, MANUFACTURING, REPRODUCTION, USE, PATENT RIGHTS AND SALES RIGHTS ARE EXPRESSLY RESERVED BY SAMTEC, INC. THIS DOCUMENT SHALL NOT BE DISCLOSED, IN WHOLE OR PART, TO ANY UNAUTHORIZED PERSON OR ENTITY NOR REPRODUCED, TRANSFERRED OR INCORPORATED IN ANY OTHER PROJECT IN ANY MANNER WITHOUT THE EXPRESS WRITTEN CONSENT OF SAMTEC, INC.



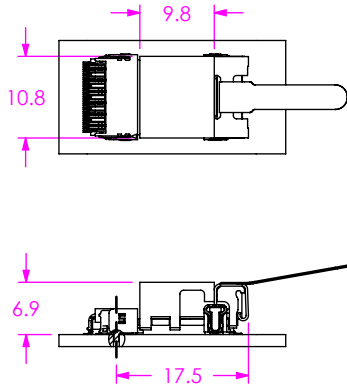
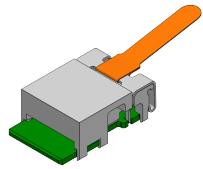
520 PARK EAST BLVD, NEW ALBANY, IN 47150
PHONE: 812-944-6733 FAX: 812-948-5047
e-Mail: info@SAMTEC.com code 53322

MATERIAL: DO NOT SCALE DRAWING SHEET SCALE: 1:1

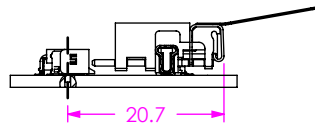
DESCRIPTION: OPTICAL FIREFLY ASSEMBLY

DWG. NO. PCUO-XX-G4-XXX-0-X-X-X-XX

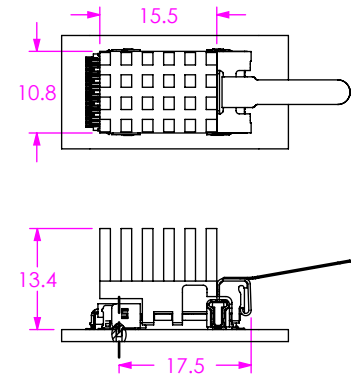
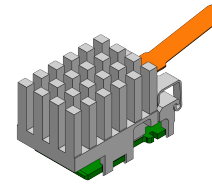
BY: JOSUE C. 01/08/2021 SHEET 1 OF 3



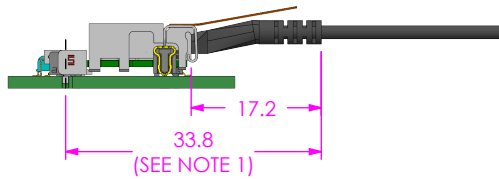
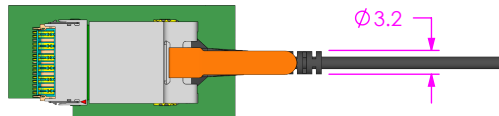
-1 FLAT HEAT SINK



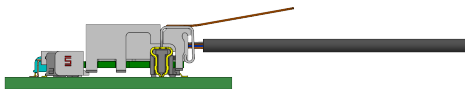
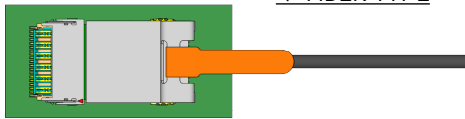
KEEP OUT AREA FOR DE-MATING
TYPICAL FOR HEAT SINKS -1/-4
REFER TO UEC5 FOOTPRINT DRAWING
FOR DETAILED KEEPOUT AREAS



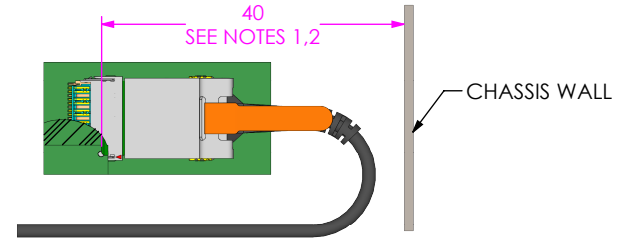
-4 PCIe® PIN FIN HEAT SINK



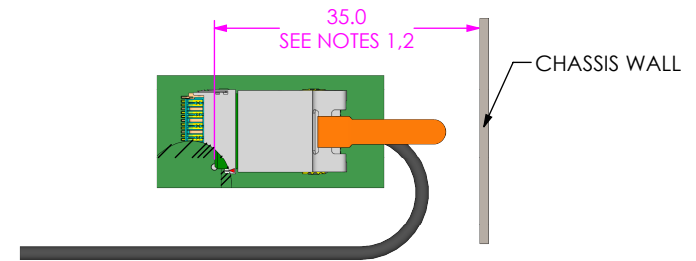
-7 FIBER TYPE



-8 FIBER TYPE



-7 FIBER TYPE RECOMMENDED CABLE ESCAPE CLEARANCE



-8 FIBER TYPE RECOMMENDED CABLE ESCAPE CLEARANCE

- NOTES:
1. DIMENSIONED FROM THE CENTER OF THE ALIGNMENT PIN HOLE AS SHOWN ON THE UEC5/UCC8 CONNECTOR FOOTPRINT
 2. DUE TO THE COMPLIANT NATURE OF FIBER CABLE AND THE MOLDED FIBER BOOT COMPONENTS, THE DIMENSIONS SHOWN ON THIS SHEET ARE FOR GUIDANCE ONLY. EACH APPLICATION IS UNIQUE AND MAY RESULT IN UNIQUE CLEARANCE DIMENSIONS FOR THE CABLE ESCAPE.

PROPRIETARY NOTE
THIS DOCUMENT CONTAINS CONFIDENTIAL AND PROPRIETARY INFORMATION AND ALL DESIGN, MANUFACTURING, REPRODUCTION, USE, PATENT RIGHTS AND SALES RIGHTS ARE EXPRESSLY RESERVED BY SAMTEC, INC. THIS DOCUMENT SHALL NOT BE DISCLOSED, IN WHOLE OR PART, TO ANY UNAUTHORIZED PERSON OR ENTITY NOR REPRODUCED, TRANSFERRED OR INCORPORATED IN ANY OTHER PROJECT IN ANY MANNER WITHOUT THE EXPRESS WRITTEN CONSENT OF SAMTEC, INC.

SHEET SCALE: 1:1

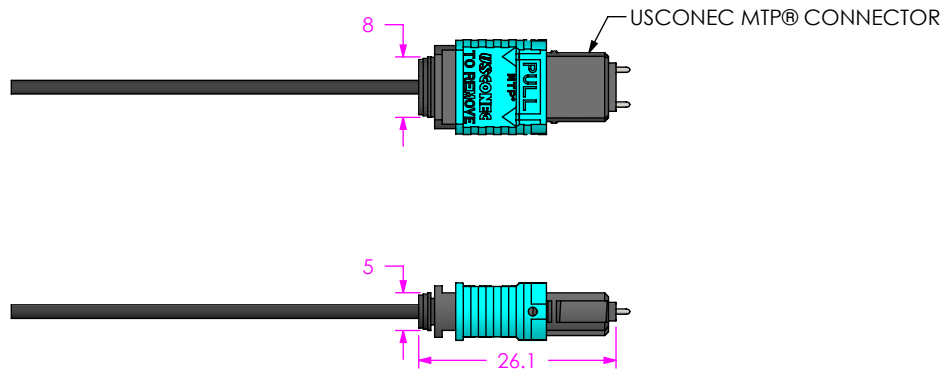


520 PARK EAST BLVD., NEW ALBANY, IN 47150
PHONE: 812-944-6733 FAX: 812-948-5047
e-Mail: info@SAMTEC.com code 55322

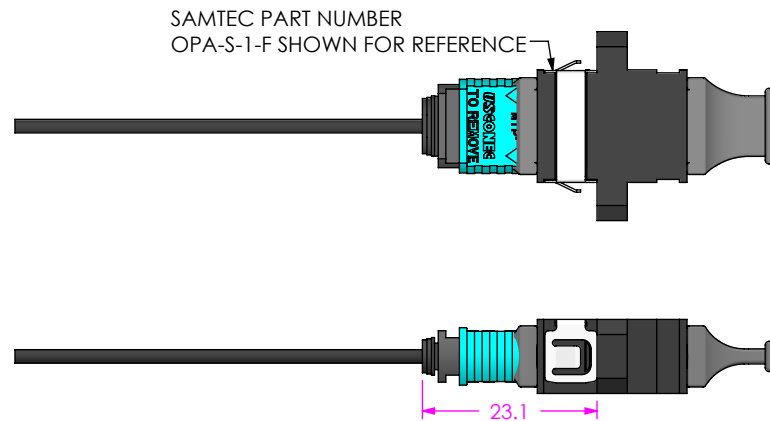
DESCRIPTION:
OPTICAL FIREFLY ASSEMBLY

DWG. NO.
PCUO-XX-G4-XXX-0-X-X-X-XX

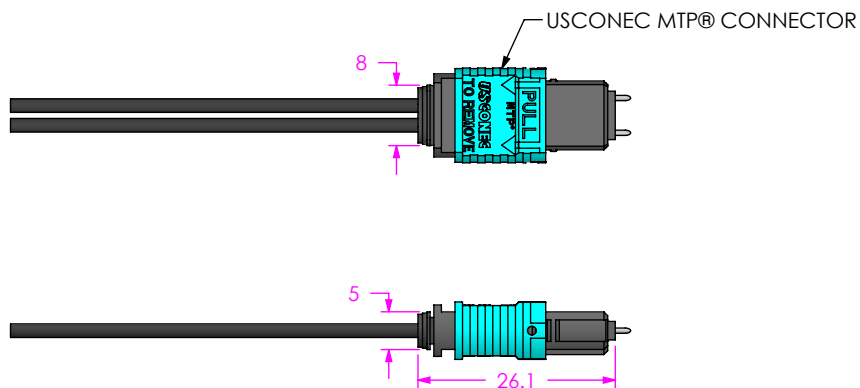
BY: JOSUE C. 01/08/2021 SHEET 2 OF 3



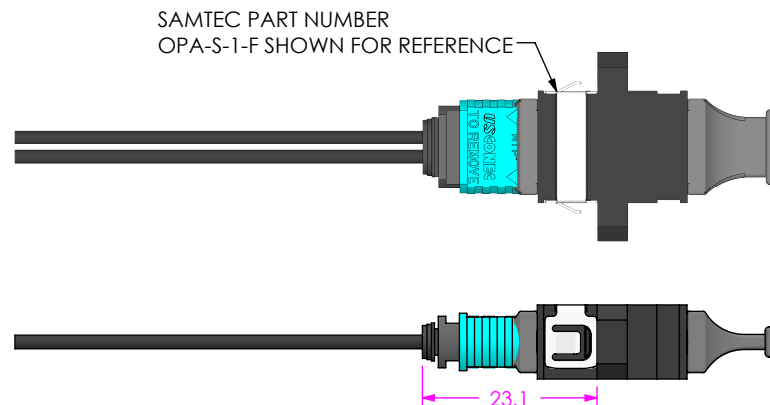
PCUO-04, -7/-8 FIBER TYPES, -01 END OPTION



PCUO-04, -7/-8 FIBER TYPES, -01 END OPTION MATED WITH BULKHEAD



PCUO-08, -7/-8 FIBER TYPES, -21 END OPTION



PCUO-08, -7/-8 FIBER TYPES, -21 END OPTION MATED WITH BULKHEAD

NOTES:
1. DUST CAPS/PLUGS NOT SHOWN FOR CLARITY

PROPRIETARY NOTE
THIS DOCUMENT CONTAINS CONFIDENTIAL AND PROPRIETARY INFORMATION AND ALL DESIGN, MANUFACTURING, REPRODUCTION, USE, PATENT RIGHTS AND SALES RIGHTS ARE EXPRESSLY RESERVED BY SAMTEC, INC. THIS DOCUMENT SHALL NOT BE DISCLOSED, IN WHOLE OR PART, TO ANY UNAUTHORIZED PERSON OR ENTITY NOR REPRODUCED, TRANSFERRED OR INCORPORATED IN ANY OTHER PROJECT IN ANY MANNER WITHOUT THE EXPRESS WRITTEN CONSENT OF SAMTEC, INC.

SHEET SCALE: 1:1

samtec

520 PARK EAST BLVD, NEW ALBANY, IN 47150
PHONE: 812-944-6733 FAX: 812-948-5047
e-Mail info@SAMTEC.com code 55322

DESCRIPTION:
OPTICAL FIREFLY ASSEMBLY

DWG. NO.
PCUO-XX-G4-XXX-0-X-X-X-XX

BY: JOSUE C. 01/08/2021 SHEET 3 OF 3