

DO NOT SCALE FROM THIS PRINT

DESIGNED & DIMENSIONED IN INCHES[MILLIMETERS]

PRFIA-185-J-J-S

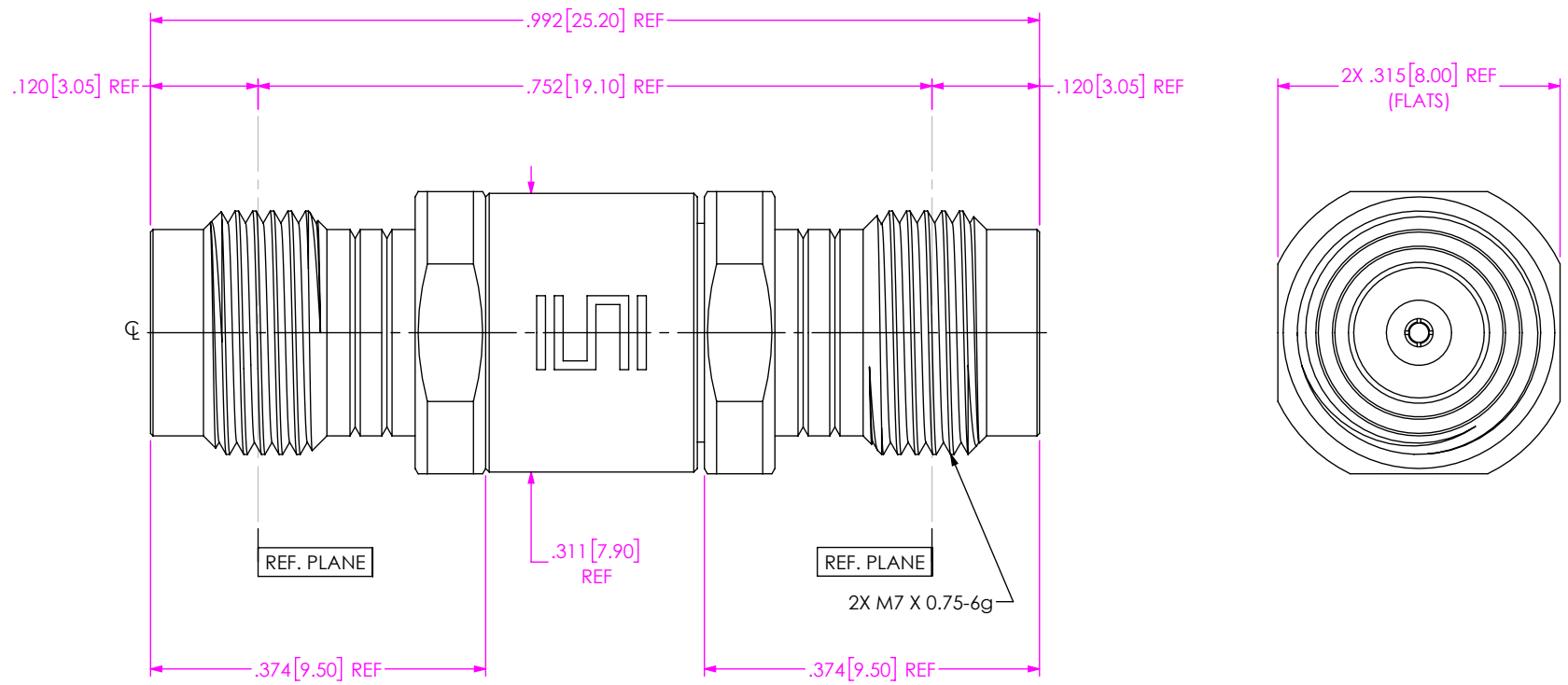
ADAPTER TYPE
-IA: IN-SERIES ADAPTER

SERIES
-185: 1.85mm


END 1 GENDER
-J: JACK

ORIENTATION
-S: STRAIGHT

END 2 GENDER
-J: JACK



- NOTES:
- MATERIAL:
BODY: STAINLESS STEEL
SOCKET: BERYLLIUM COPPER
BEAD: PEI
 - FINISH:
BODY: PASSIVATED
SOCKET: GOLD
 - VSWR DC – 67GHz ___ 1.30:1 MAX
 - INSERTION LOSS .08XSQRT(MAX FREQ) MAX

UNLESS OTHERWISE SPECIFIED, DIMENSIONS ARE IN INCHES. TOLERANCES ARE: DECIMALS ANGLES .XX: ±.01 [0.3] .XXX: ±.005 [0.13] .XXXX: ±.0005 [0.013]	* PROPRIETARY NOTE * THIS DOCUMENT CONTAINS CONFIDENTIAL AND PROPRIETARY INFORMATION AND ALL DESIGN, MANUFACTURING, REPRODUCTION, USE, PATENT RIGHTS AND SALES RIGHTS ARE EXPRESSLY RESERVED BY SAMTEC, INC. THIS DOCUMENT SHALL NOT BE DISCLOSED, IN WHOLE OR PART, TO ANY UNAUTHORIZED PERSON OR ENTITY NOR REPRODUCED, TRANSFERRED OR INCORPORATED IN ANY OTHER PROJECT IN ANY MANNER WITHOUT THE EXPRESS WRITTEN CONSENT OF SAMTEC, INC.	 520 PARK EAST BLVD., NEW ALBANY, IN 47150 PHONE: 812-944-6733 FAX: 812-948-5047 e-Mail info@SAMTEC.com code 55322	
		DO NOT SCALE DRAWING SHEET SCALE: 5:1	DESCRIPTION: ADAPTER, 1.85MM JACK TO 1.85MM JACK
		DWG. NO. PRFIA-185-J-J-S	BY: WILLY Y 3/4/2022 SHEET 1 OF 1