

DO NOT SCALE FROM THIS PRINT

DESIGNED & DIMENSIONED IN INCHES[MILLIMETERS]

PRFIA-240-J-J-S

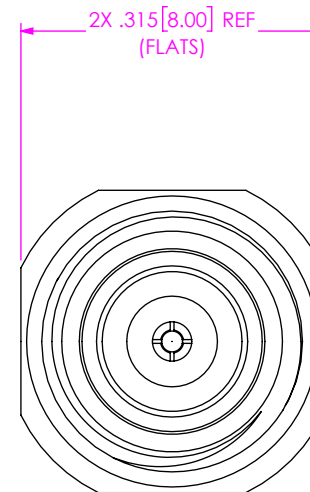
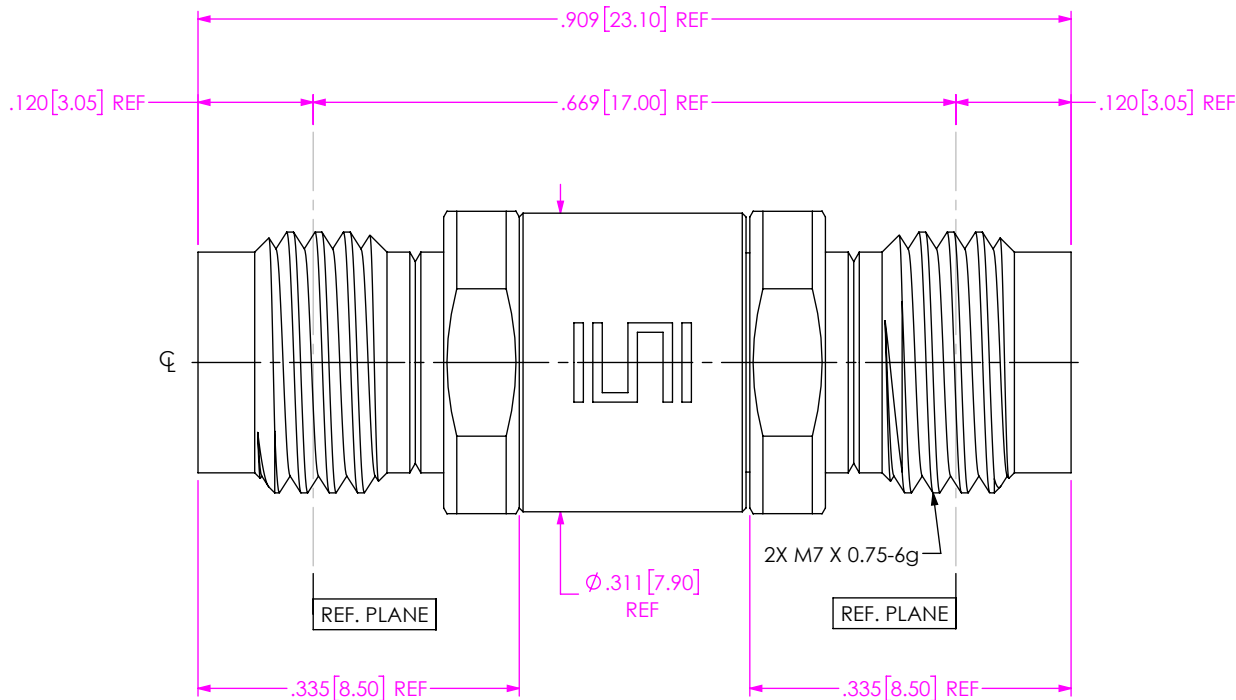
ADAPTER TYPE
-IA: IN-SERIES ADAPTER

SERIES
-240: 2.4mm

END 1 GENDER
-J: JACK

ORIENTATION
-S: STRAIGHT

END 2 GENDER
-J: JACK



NOTES:

1. MATERIAL:
BODY: STAINLESS STEEL
SOCKET: BERYLLIUM COPPER
BEAD: PEI
2. FINISH:
BODY: PASSIVATED
SOCKET: GOLD
3. VSWR DC – 50GHz $\leq 1.20:1$ MAX
4. INSERTION LOSS $.05XSQRT(\text{MAX FREQ})$ MAX

UNLESS OTHERWISE SPECIFIED,
DIMENSIONS ARE IN INCHES.

TOLERANCES ARE:

DECIMALS ANGLES
.XX: $\pm .01 [0.3]$ 1°
.XXX: $\pm .005 [0.13]$
.XXXX: $\pm .0005 [0.013]$

PROPRIETARY NOTE

THIS DOCUMENT CONTAINS CONFIDENTIAL AND PROPRIETARY INFORMATION AND ALL DESIGN, MANUFACTURING, REPRODUCTION, USE, PATENT RIGHTS AND SALES RIGHTS ARE EXPRESSLY RESERVED BY SAMTEC, INC. THIS DOCUMENT SHALL NOT BE DISCLOSED, IN WHOLE OR PART, TO ANY UNAUTHORIZED PERSON OR ENTITY NOR REPRODUCED, TRANSFERRED OR INCORPORATED IN ANY OTHER PROJECT IN ANY MANNER WITHOUT THE EXPRESS WRITTEN CONSENT OF SAMTEC, INC.



520 PARK EAST BLVD., NEW ALBANY, IN 47150
PHONE: 812-944-6733 FAX: 812-948-5047
e-Mail: info@SAMTEC.com code 55322

DO NOT SCALE DRAWING

SHEET SCALE: 5:1

DESCRIPTION:

ADAPTER, 2.4MM JACK TO 2.4MM JACK

DWG. NO.

PRFIA-240-J-J-S

BY: WILLY Y

3/7/2022

SHEET 1 OF 1